

DESCRIPTION

The PT2221 and PT2222 are remote control transmitters utilizing CMOS Technology specially designed for use on infrared remote control applications. They are pin-to-pin compatible with NEC μ PD6121 and μ PD6122 respectively. PT2221 is packaged in 20 pins SO and capable of controlling 32 functions and 3 double keys. PT2222, on the other hand, is housed in 24 pins SO and capable of controlling 64 function keys and 3 double keys. PT2221/2 may be paired with PT2225 to construct a powerful remote control system.

FEATURES

- CMOS Technology
- Low Power Consumption ($V_{DD}=2.0 \sim 5.5V$)
- Pin-to-Pin Compatible with μ PD6121/ μ PD6122
- Using SEL pin, PT2221 can support 64+6 function codes
- Using SEL pin, PT2222 can support 128 + 6 function codes
- Customer Code can be selected (please contact PTC for details)

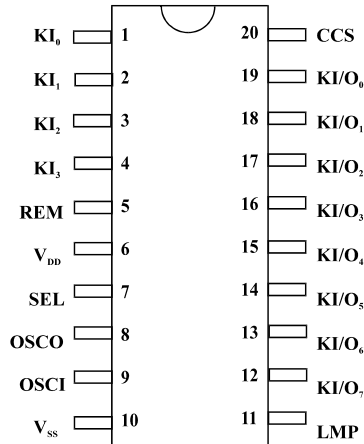
APPLICATIONS

- Audio Equipment
- Television (TV)
- Cable TV Tuner
- Video Cassette Recorder (VCR)
- Cassette Deck
- Air Conditioner
- Video Compact Disk (VCD)
- DVD ROM/Player
- Moniputer / Multi-Media Personal Computer System

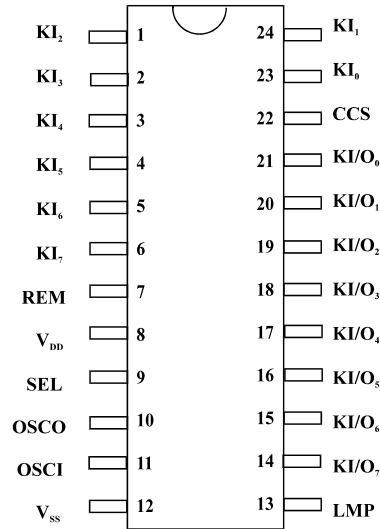
Infrared Remote Control Transmitter

PT2221/2

PIN CONFIGURATION



PT 2221- 00X

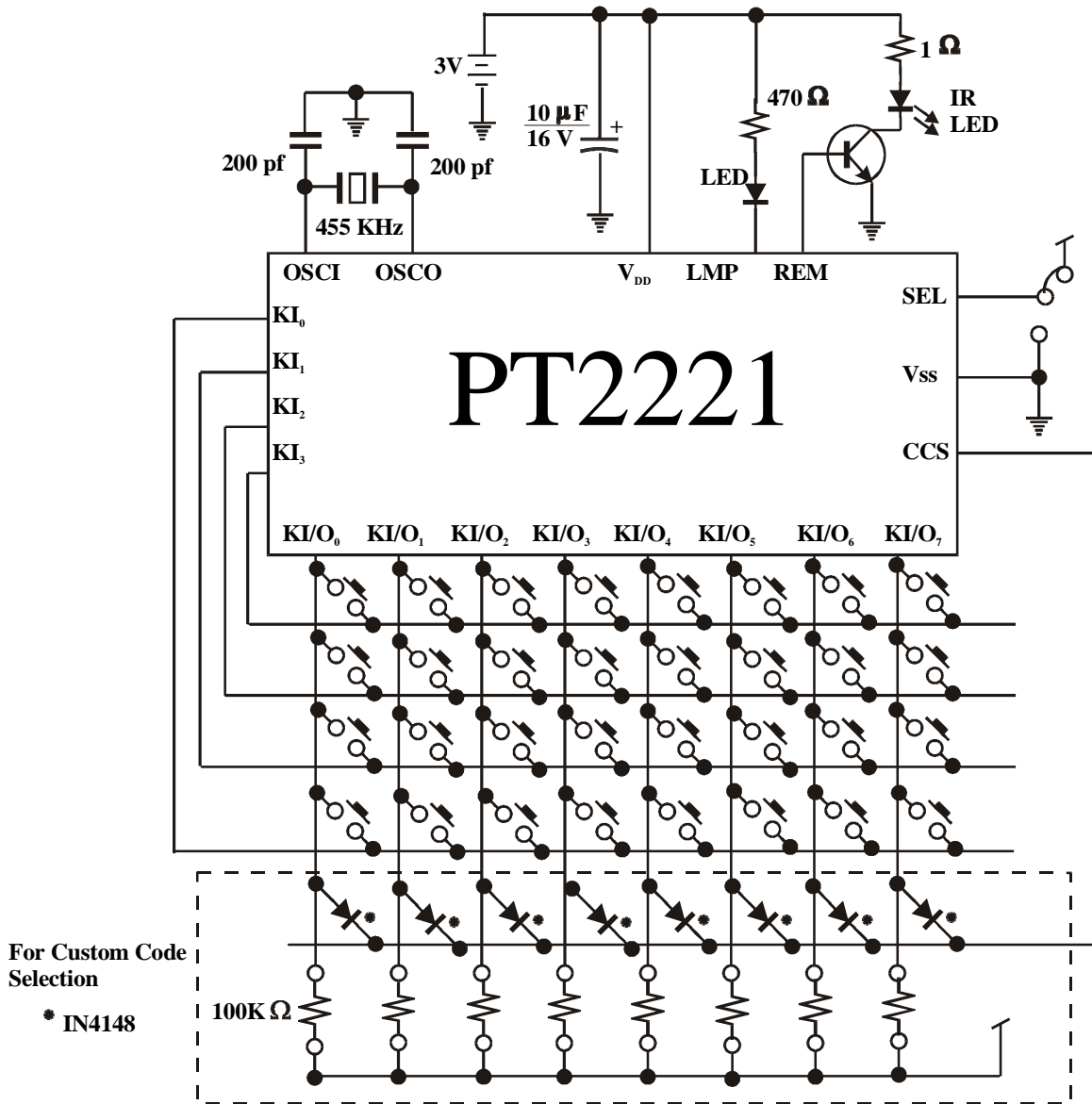


PT 2222 - 00X

Infrared Remote Control Transmitter

PT2221/2

PT2221 APPLICATION CIRCUIT

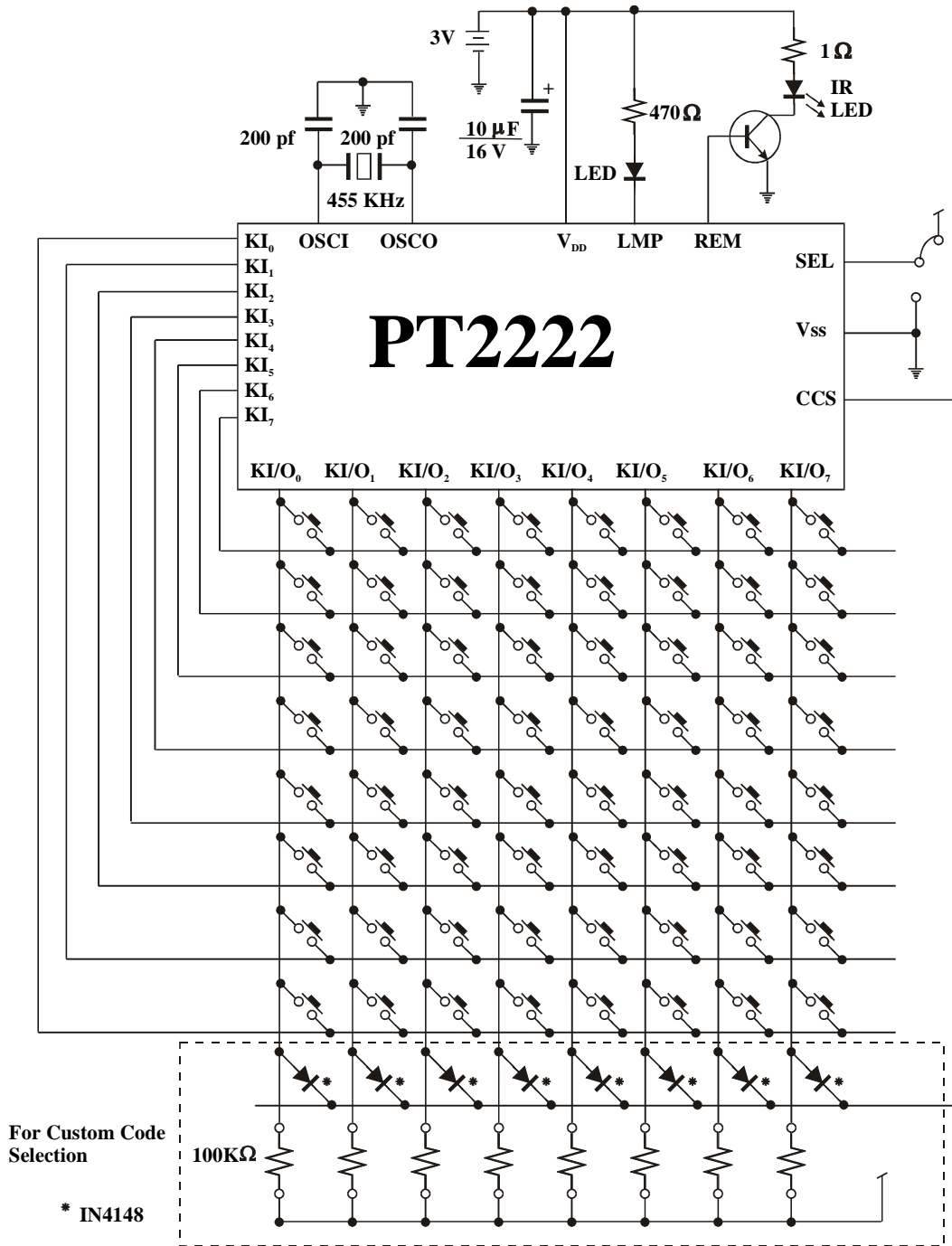


Note: The Vcc and Vss Terminals must be “SHORT” before the batteries are loaded to the transmitter handset to insure that PT2221 Power On Reset Function will operate properly.

PT2222 APPLICATION CIRCUIT

Infrared Remote Control Transmitter

PT2221/2



Note: The V_{cc} and V_{ss} Terminals must be “SHORT” before the batteries are loaded to the transmitter handset to insure that PT2222 Power On Reset Function will operate properly.

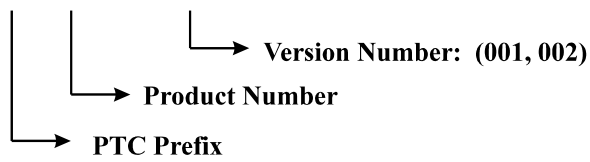
ORDER INFORMATION

Infrared Remote Control Transmitter

PT2221/2

Valid Part Number	Package
PT2221-001	20 Pins, SO
PT2221-002	20 Pins, SO
PT2222-001	24 Pins, SO
PT2222-002	24 Pins, SO

PT 2221 - 00X



PT 2222 - 00X

