

MITSUBISHI ICs (TV)
M52045FP

PAL VIDEO CHROMA SIGNAL PROCESSOR

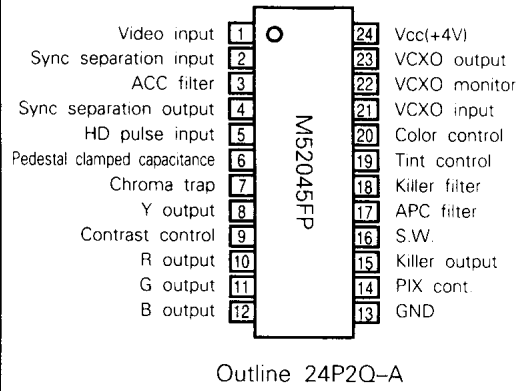
DESCRIPTION

The M52045FP is a semiconductor integrated circuit for video signal processing that has been developed for PAL system liquid crystal (LCD) color TV. This IC has a built-in luminance signal processing circuit and color signal processing circuit, which is employed to convert a composite video signal to an RGB signal.

FEATURES

- Low voltage and low power dissipation design
- Built-in Y/C separation circuit and external chroma trap switchable (fc is nearly equal to 1.5MHz)
- Built-in sync separation circuit
- Provided with Y-signal blanking function by HD pulse
- R.G.B signal output
- Tint, contrast, picture quality and color control linearly adjustable
- 24-pin, shrink pitch, flat package employed
- Same package as in NTSC system video chroma IC M52042FP, pins perfectly compatible

PIN CONFIGURATION (TOP VIEW)

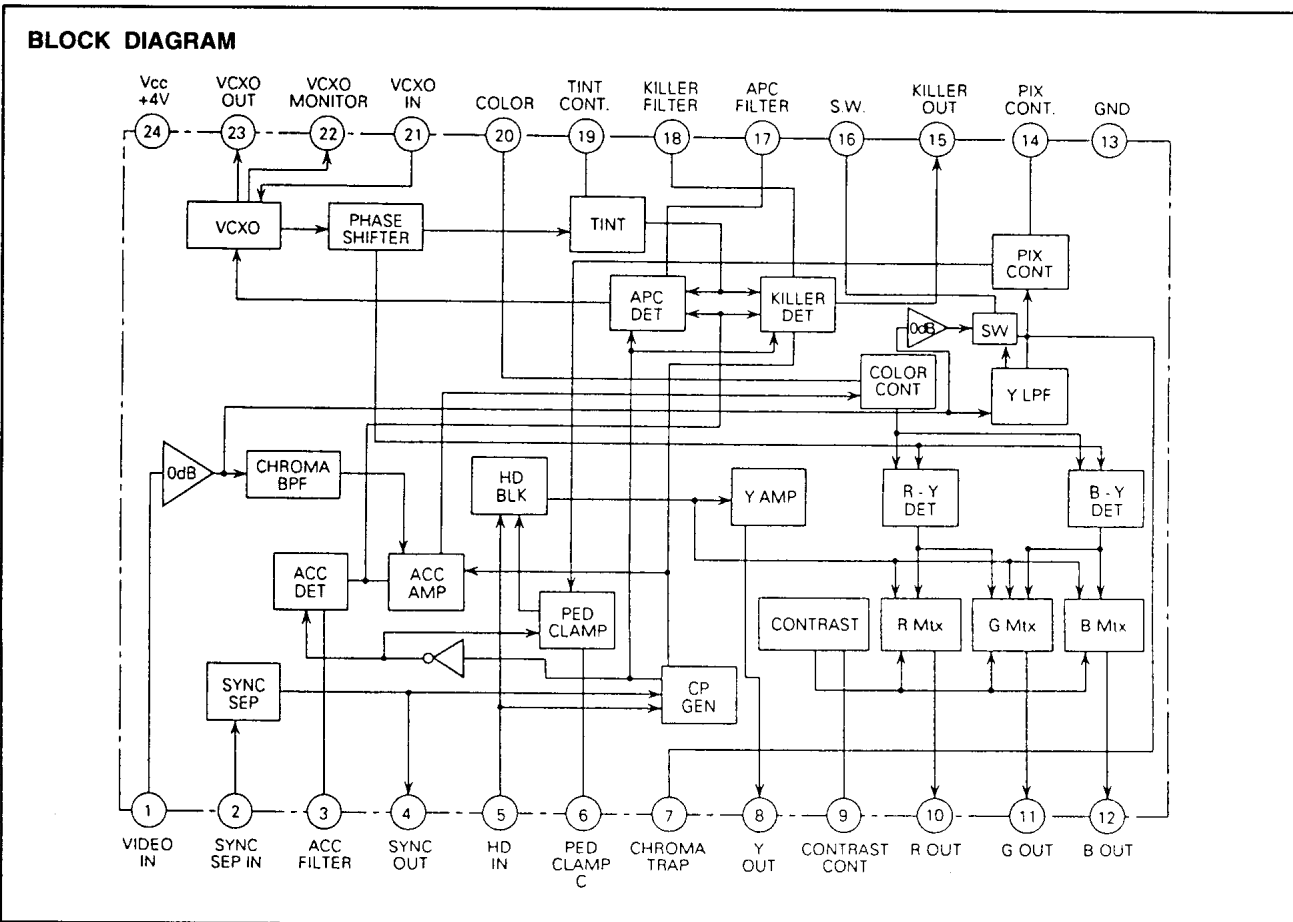


RECOMMENDED OPERATING CONDITION

Supply voltage range3.8~4.2V
 Rated supply voltage4.0V

APPLICATION

LCD color TV and LCD color view finder



PAL VIDEO CHROMA SIGNAL PROCESSOR

ABSOLUTE MAXIMUM RATINGS

Symbol	Parameter	Ratings	Unit
V _{cc}	Supply voltage	4.5	V
P _d	Power dissipation	680	mW
T _{opr}	Operating temperature	-10~70	deg
T _{stg}	Storage temperature	-45~120	deg
k _e	Thermal derating	5.4	mW/deg
V _{max}	Electrostatic capacity	±200 ※	V

※ Charging capacitance : 200 pF

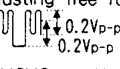
ELECTRICAL CHARACTERISTICS (T_a = 25 °C, unless otherwise noted)

Symbol	Parameter	Test No	Test conditions	Limits			Unit
				Min.	Typ.	Max.	
I _{cc}	Circuit current	1	Input standard color bar signal of V _{cc} =4V.	-	17	21	mA
SYNC SEP Section							
V _{sync 1}	SYNC tip voltage	2	Measure each output signal SYNC tip voltage at pins ①, ⑦ when standard color bar signal of 0.7 V _{p-p} is input.	2.20	2.30	2.40	V
V _{sync 7}				1.25	1.40	1.50	
V _{sync H}	SYNC output amplitude	3	Input only SYNC pulse of pulse width 4.7 μ seconds to pin ①. Measure the output amplitude at pin ④ when the input SYNC pulse amplitudes are 0.2 and 0.05 V _{p-p} .	2.7	3.1	3.4	V _{P-P}
V _{sync L}				2.7	3.1	3.4	
T _{sync H}	SYNC output pulse width	4	Input only SYNC pulse of pulse width 4.7 μ seconds to pin ①. Measure the output amplitude at pin ④ when the input SYNC pulse amplitudes are 0.2 and 0.05 V _{p-p} .	3.7	4.7	5.7	μsec
T _{sync L}				3.7	4.7	5.7	
D _{sync H}	SYNC output pulse delay	5	Input only SYNC pulse of pulse width 4.7 μ seconds to pin ①. Measure the pulse width + delay time when the input SYNC pulse amplitudes are 0.2 and 0.05 V _{p-p} .	3.7	4.7	6.0	μsec
D _{sync L}				3.7	4.7	6.0	
Video Section							
VLPF(L)	YLPF frequency characteristics (Pin ⑦)	6	Measure the frequency at which the sine wave output amplitude is -3 dB when the input signal (0.2 V _{p-p}) 0.2 V _{p-p} is input. Also measure the output gain at input sine wave 3.58 MHz.	1.45	1.55	-	MHz
VLPF(H)				-30	-24	-21	
Y _{max}	Maximum output	7	Input standard staircase wave of 0.7 V _{p-p} . Measure the output amplitude at pin ④ when V ₉ is 0 V.	1.1	1.4	1.7	V _{P-P}
GY _{max}	Video amplifier gain	8	Input standard staircase wave of 0.7 V _{p-p} . Calculate the ratio between the output amplitude at pin ④ and input amplitude when V ₉ is 1.7 V.	4.0	6.0	8.0	dB
Y _{ctrast} (1)	Contrast control characteristics	9	Input standard staircase wave of 0.7 V _{p-p} , and calculate the ratio of the input amplitude to the output amplitude in Test No. 8 above when V ₉ is changed to 1 V, 2.5V and 3.5V.	1.20	2.45	4.50	dB
Y _{ctrast} (2.5)				-7.3	-5.0	-2.7	
Y _{ctrast} (3.5)				-	-30	-17	
XPIX(4)	PIX control characteristics	10	Input 1.5 MHz sine wave of 0.2 V _{p-p} to the input. Measure the output amplitude at pin ④ when V ₉ is 1.7 V, and V ₁₄ is changed to 2, 4 and 0 V and calculate the ratio between the input respectively and the output amplitude when V ₁₄ = 2 V.	-3.5	-2.0	-0.5	dB
XPIX(0)				10.0	12.0	14.0	
GY _{amp}	Y AMP gain	11	Input standard staircase wave of 0.7 V _{p-p} and calculate the ratio between the output amplitudes at pin ④ and input amplitude.	9.1	11.0	12.6	dB
V _{ped}	PED offset level	12	With input SYNC pulse at 0.2 V _{p-p} , measure pin ④ output pedestal offset, and calculate ratio of the offset to that when 0.7 V _{p-p} standard staircase is input.	0.00	0.05	0.06	

M52045FP

PAL VIDEO CHROMA SIGNAL PROCESSOR

ELECTRICAL CHARACTERISTICS (cont.)

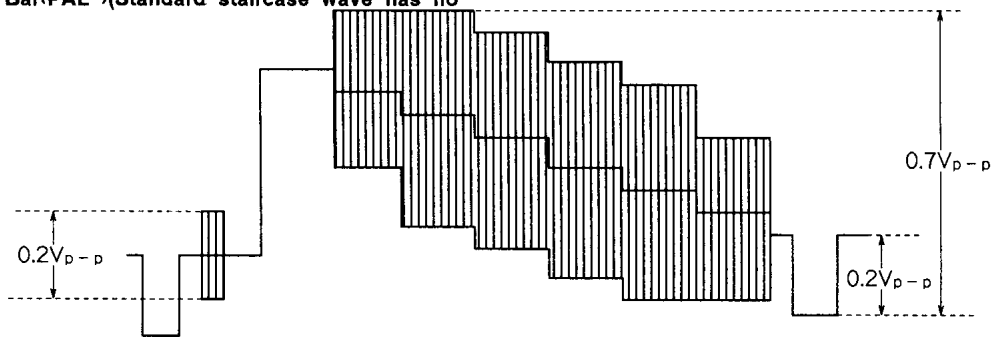
Symbol	Parameter	Test No	Test conditions	Limits			Unit
				Min.	Typ.	Max.	
Chroma Section							
Cacc (+4)	Acc control characteristics	14	Input burst 0.2 V _{p-p} + CW 4.33 MHz shall be 0 dB. Measure the output at pin ⑫ when the input is changed to +4 dB and -20 dB, and calculate the ratio of the measured amplitude to the output amplitude at 0 dB.	0	0.7	1.5	dB
Cacc (-20)				-6.0	-2.0	0	
Ckilor	Killer operation	15	Input a chroma signal of 0.2 V _{p-p} to the input. Reduce the amplitude and measure the amplitude ratio when the voltage at pin ⑮ exceeds 2.5 V.	-54	-50	-42	dB
Cast(4)	Color control characteristics	16	Input burst 0.2 V _{p-p} + CW 4.33 MHz: change V20 to 2V, 4V, 3V, 1V and 0.5V to measure each output (100kHz beat) amplitude at pin 12, and calculate the ratio between the measured amplitude and the output amplitude at V20 = 1V.	2.0	2.2	4.5	dB
Cast(3)				1.5	2.0	4.0	
Cast(1)				-8.5	-6	-4	
Cast(0.5)				-17	-13	-10	
Δ fapc	APC pull-in range	17	Input only SYNC, and after adjusting free run, input 0.2 V _{p-p} CW  , then change the frequency. Measure the frequency when VCXO oscillator is placed in a locked condition from the free-run condition.	+350	+600	-	Hz
				-	-600	-400	
DB	B demodulator sensitivity	18	Input CW 4.33 MHz of 0.2 V _{p-p} to the input, and measure the output amplitude at pin ⑫ when V20=1 V.	0.8	1.2	1.6	V _{p-p}
R(R/B)	Demodulated output voltage ratio	19	Input CW 4.33 MHz of 0.2 V _{p-p} to the input, measure the output amplitude at pins ⑩, ⑪ when V20 = 1 V, and calculate the ratio of the measured amplitude to the output amplitude in Test No. 18 above.	0.46	0.52	0.60	-
R(G/B)				0.20	0.30	0.40	
Vkiller H	Killer output voltage H	21	Measure DC voltage at pin ⑮ when 0V and 4V are applied to pin ⑮.	2.5	3.2	-	V
Vkiller L	Killer output voltage L			-	0.20	0.40	
Dhd	HD for chroma delay	22	Apply B monochromatic wave 0.4 V _{p-p} and burst 0.2 V _{p-p} to the input. Measure the delay time from HD pulse rise to thr chroma rise of pin ⑫ output.	-	2.0	2.2	μsec
ID	IDENT characteristics	23	The IDENT (identification) characteristics should be not higher than the killer level.	-	-	-	-

M52045FP

PAL VIDEO CHROMA SIGNAL PROCESSOR

INPUT SIGNAL

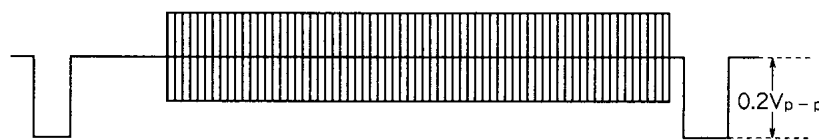
Standard Color Bar-PAL (Standard staircase wave has no chroma signal)



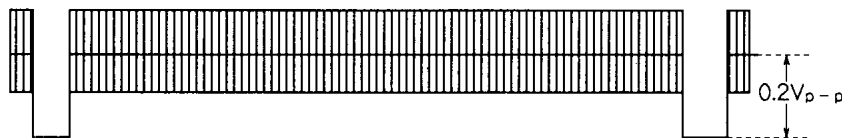
Burst+CW
(B monochromatic wave, etc.) PAL



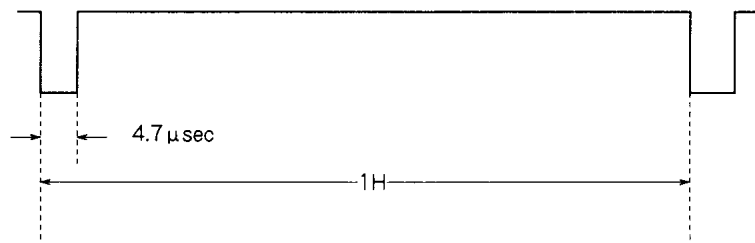
Sine wave



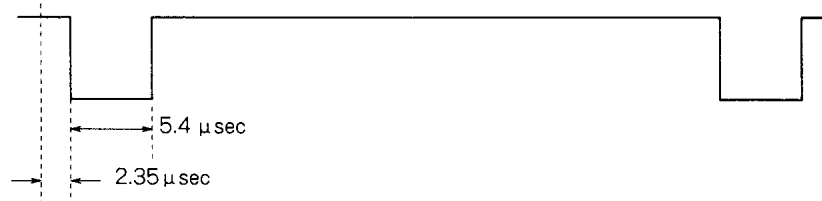
Continuous sine wave
(CW)



SYNC pulse

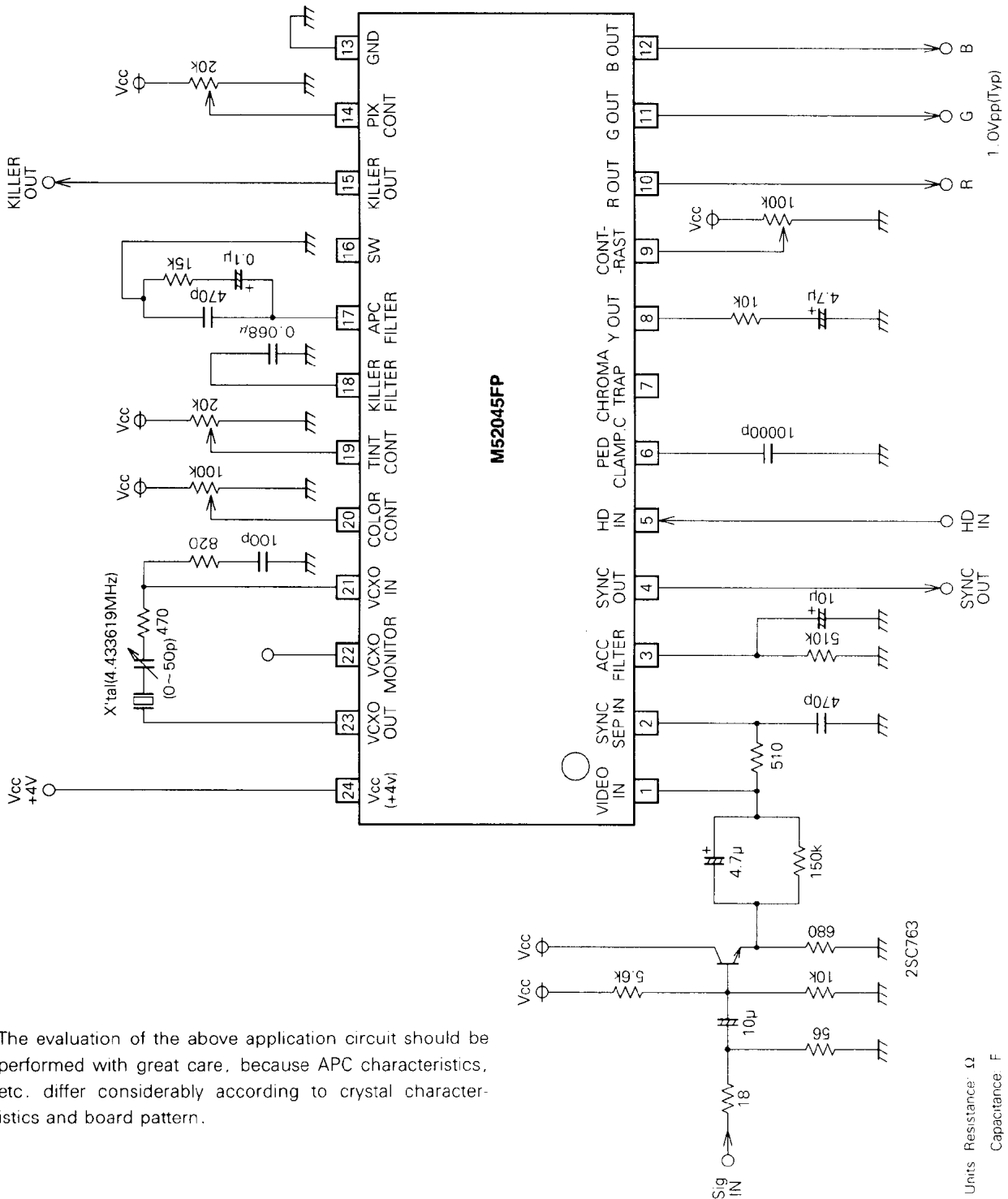


Standard HD signal



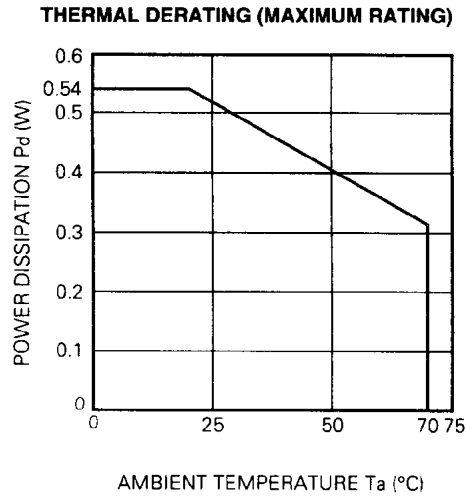
M52045FP

PAL VIDEO CHROMA SIGNAL PROCESSOR



The evaluation of the above application circuit should be performed with great care, because APC characteristics, etc. differ considerably according to crystal characteristics and board pattern.

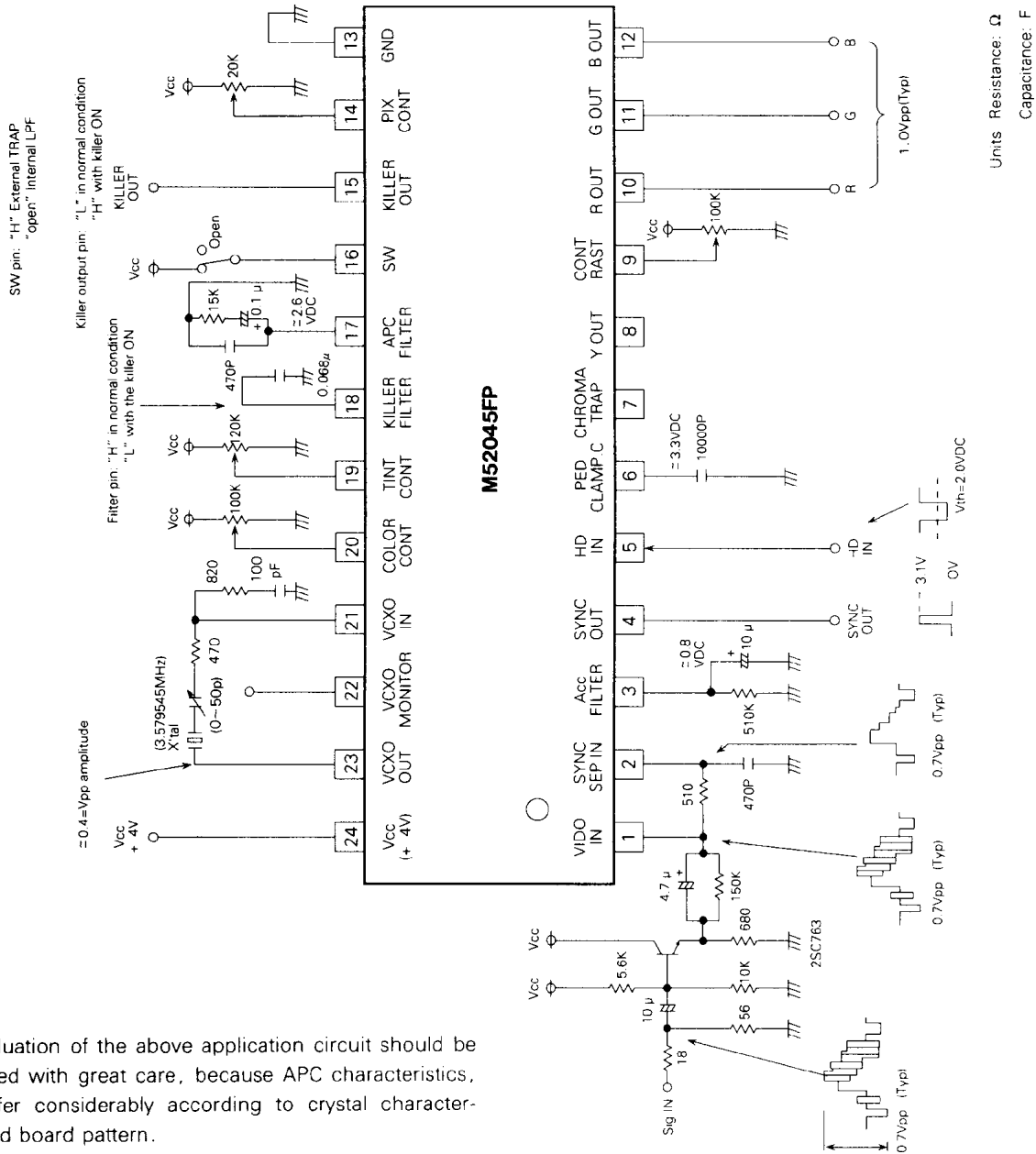
TYPICAL CHARACTERISTICS



M52045FP

PAL VIDEO CHROMA SIGNAL PROCESSOR

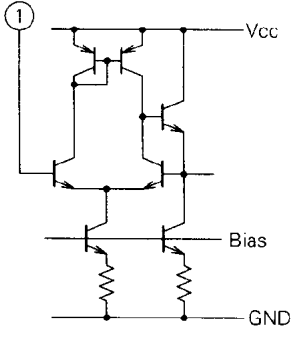
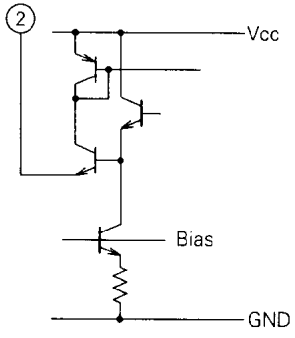
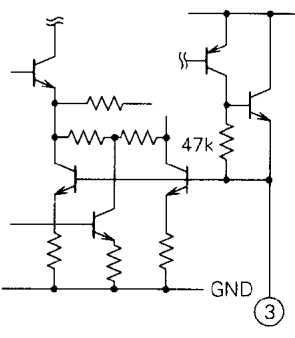
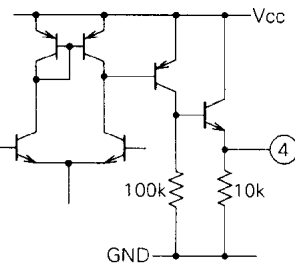
APPLICATION EXAMPLE



The evaluation of the above application circuit should be performed with great care, because APC characteristics, etc. differ considerably according to crystal characteristics and board pattern.

PAL VIDEO CHROMA SIGNAL PROCESSOR

DESCRIPTION OF PIN

Pin No.	Name	Peripheral circuit of pins
①	VIDEO IN (Video input)	
②	SYNC SEP IN (SYNC separation input)	
③	ACC FILTER	
④	SYNC OUT (SYNC separation output)	

M52045FP

PAL VIDEO CHROMA SIGNAL PROCESSOR

DESCRIPTION OF PIN (cont.)

Pin No.	Name	Peripheral circuit of pins
⑤	HD IN (HD pulse input)	
⑥	PED CLAMP C (Pedestal-clamped capacitance)	
⑦	CHROMA TRAP	
⑧	Y OUT (Y output)	

PAL VIDEO CHROMA SIGNAL PROCESSOR

DESCRIPTION OF PIN (cont.)

Pin No.	Name	Peripheral circuit of pins
⑨	CONTRAST CONT. (Contrast control)	
⑩	R OUT (R output)	
⑪	G OUT (G output)	
⑫	B OUT (B output)	
⑬	GND (Grounding)	—
⑭	Vcc + 4V (Power supply)	—
⑮	S.W. (Selector switch)	
⑰	VCXO MONITOR	

PAL VIDEO CHROMA SIGNAL PROCESSOR

DESCRIPTION OF PIN (cont.)

Pin No.	Name	Peripheral circuit of pins
⑭	PIX CONT. (Picture quality control)	
⑮	KILLER OUT (Killer output)	
⑰	APC FILTER	
⑱	KILLER FILTER	

PAL VIDEO CHROMA SIGNAL PROCESSOR

DESCRIPTION OF PIN (cont.)

Pin No.	Name	Peripheral circuit of pins
①9	TINT CONT. (Tint control)	<p>The circuit for Pin 19 is a differential amplifier. It consists of two NPN transistors. The base of the left transistor is connected to a 15k resistor to Vcc and a 15k resistor to the Bias input. The base of the right transistor is connected to a 2k4 resistor to Vcc and a 160k resistor to Pin 19. The emitters of both transistors are connected to a common emitter resistor that is connected to GND.</p>
②0	COLOR (Color control)	<p>The circuit for Pin 20 is a color control circuit. It features a single NPN transistor with its emitter connected to GND. The base is connected to a diode, which is in series with a Bias input. The collector is connected to Vcc.</p>
②1	VCXO IN (VCXO input)	<p>The circuit for Pin 21 is a VCXO input circuit. It uses an NPN transistor with its emitter to GND. The base is connected to Pin 21 through a 22k resistor. The collector is connected to Vcc through a 30k resistor. The base is also connected to a Bias input through a 2k resistor.</p>
②3	VCXO OUT (VCXO output)	<p>The circuit for Pin 23 is a VCXO output circuit. It uses an NPN transistor with its emitter to GND. The base is connected to a Bias input through a 15k resistor. The collector is connected to Vcc through a 500 resistor. The emitter is connected to GND through an 180 resistor. Pin 23 is connected to the collector.</p>