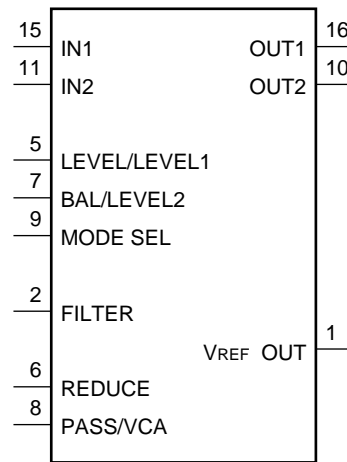
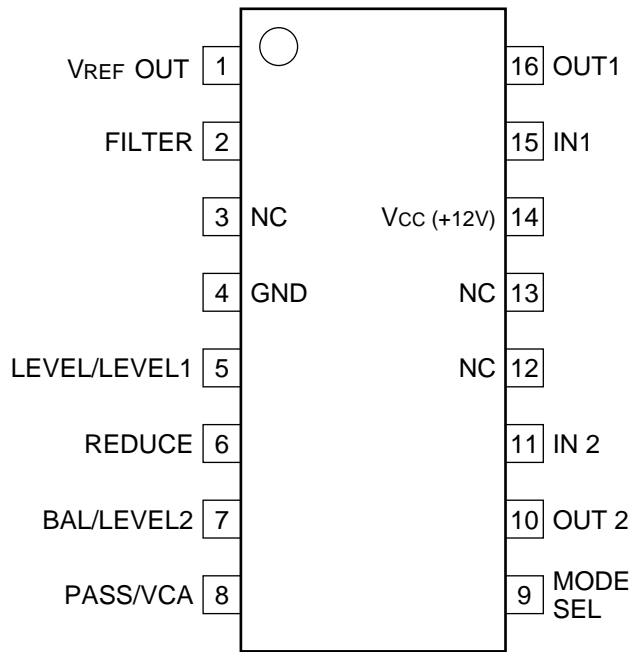

2-CHANNEL ELECTRONIC LEVEL CONTROL

—TOP VIEW—



- BAL/LEVEL2 ; BALANCE/LEVEL2 CONTROL
- FILTER ; FILTER
- IN1 ; INPUT 1
- IN2 ; INPUT 2
- MODE SEL ; MODE SELECT
- OUT1 ; OUTPUT 1
- OUT2 ; OUTPUT 2
- PASS/VCA ; PASS/VCA CONTROL SWITCH
- REDUCE ; SWITCHING NOISE REDUCE
- LEVEL/LEVEL1 ; LEVEL/LEVEL1 CONTROL
- V REF OUT ; REFERENCE VOLTAGE OUTPUT

