

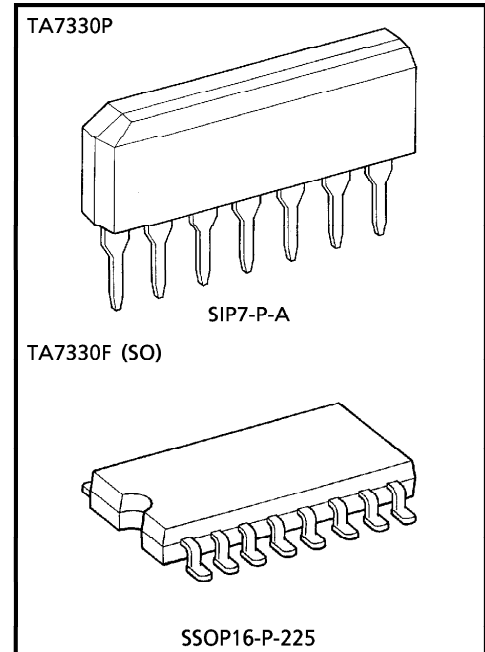
PREAMPLIFIER WITH ALC CIRCUIT FOR MINI / MICRO CASSETTE TAPE RECORDER

The TA7330P and TA7330F are preamplifier for 3V or 4.5V battery use.

It consists of low noise preamplifier and ALC (Automatic Level Control) circuit, and is suitable for mini / micro cassette tape recorder applications.

FEATURES

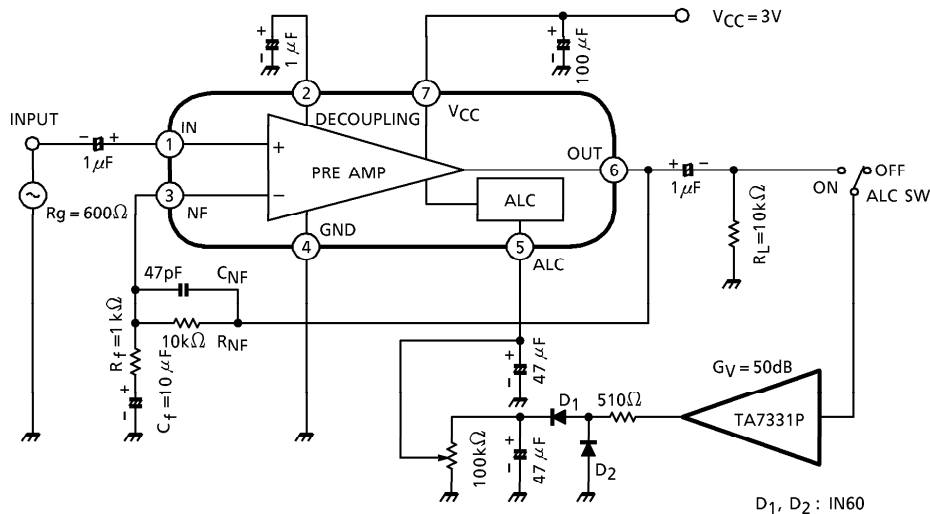
- Low supply voltage use : $V_{CC(opr)} = 2 \sim 5V$ ($T_a = 25^\circ C$)
- Low noise : $V_{ni} = 1 \mu V_{rms}$ (Typ.)
- Wide ALC range : $W_{ALC} = 40dB$ (Typ.)
- Low quiescent current : $I_{CCQ} = 0.75mA$ (Typ.)
($V_{CC} = 3V, T_a = 25^\circ C$)
- TA7330F (SO) is standard model of flat package.



Weight SIP7-P-A : 0.72g (Typ.)
SSOP16-P-225 : 0.14g (Typ.)

TEST CIRCUIT / BLOCK DIAGRAM

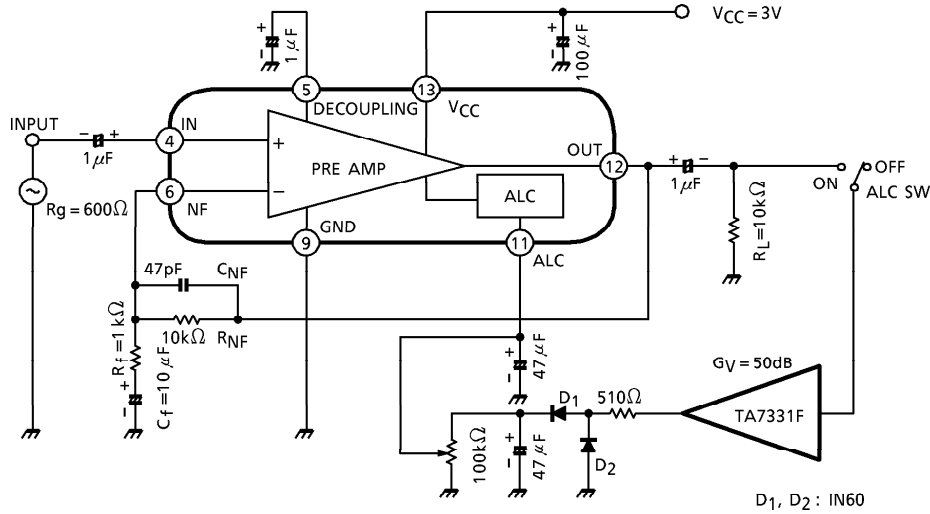
TA7330P



© The information contained herein is presented only as a guide for the applications of our products. No responsibility is assumed by TOSHIBA CORPORATION for any infringements of intellectual property or other rights of the third parties which may result from its use. No license is granted by implication or otherwise under any intellectual property or other rights of TOSHIBA CORPORATION or others.

© These TOSHIBA products are intended for use in general commercial applications (office equipment, communication equipment, measuring equipment, domestic appliances, etc.). please make sure that you consult with us before you use these TOSHIBA products in equipment which requires extraordinarily high quality and/or reliability, and in equipment which may involve life threatening or critical application, including but not limited to such uses as atomic energy control, airplane or spaceship instrumentation, traffic signals, medical instrumentation, combustion control, all types of safety devices, etc. TOSHIBA cannot accept and hereby disclaims liability for any damage which may occur in case the TOSHIBA products are used in such equipment or applications without prior consultation with TOSHIBA.

TA7330F



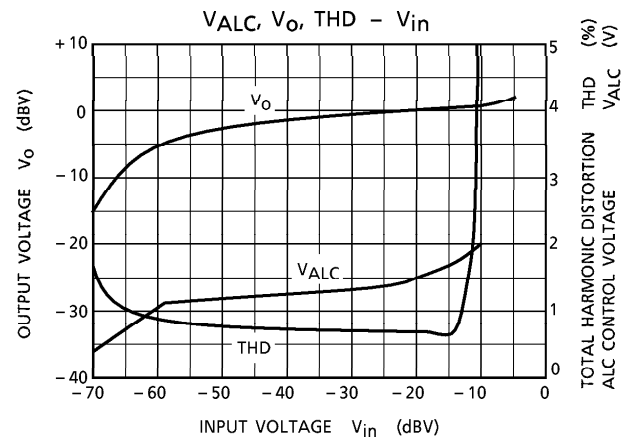
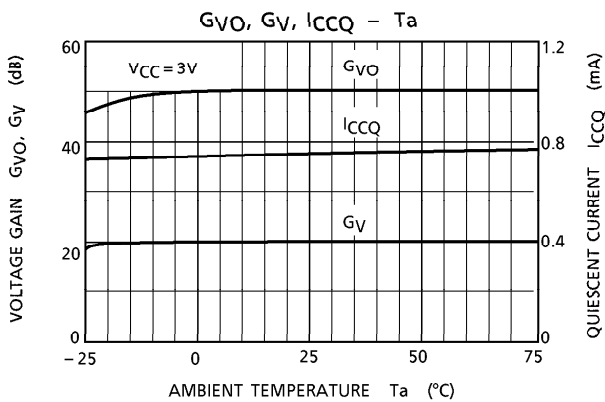
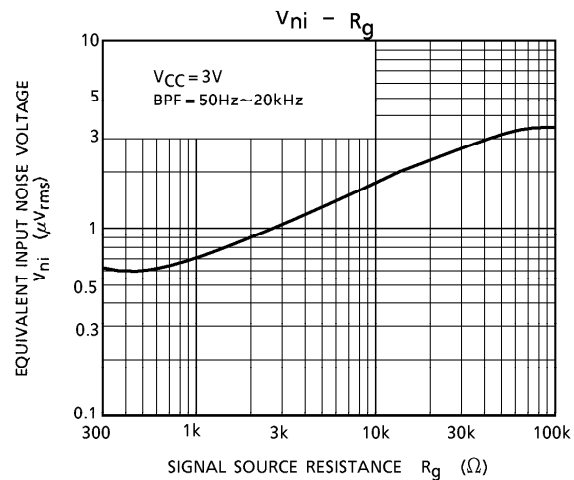
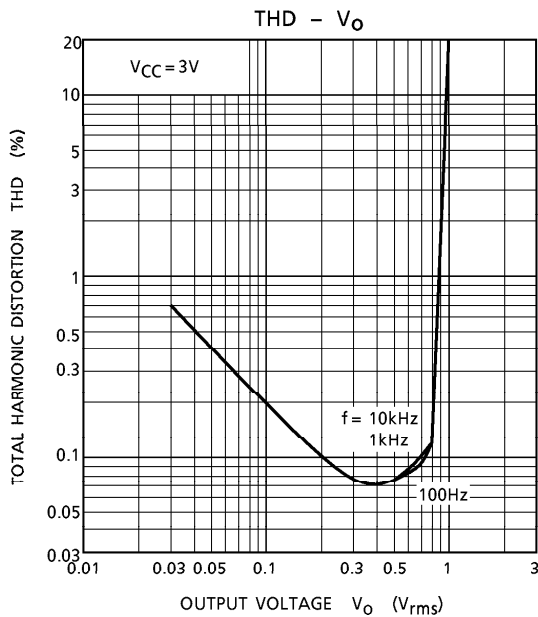
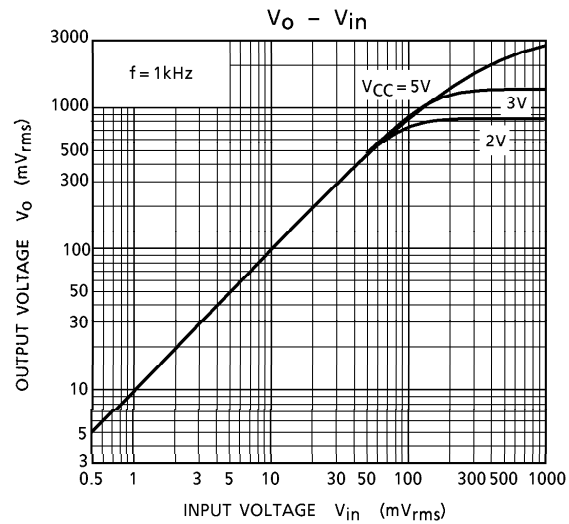
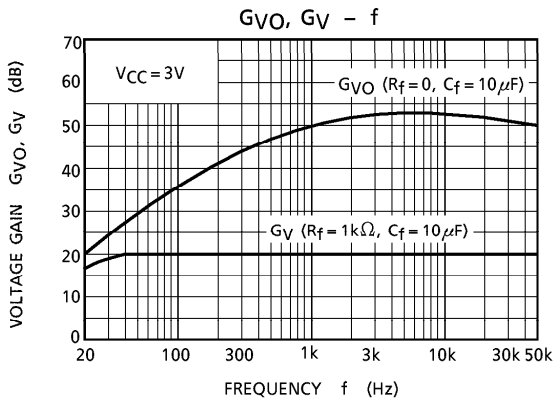
MAXIMUM RATINGS (Ta = 25°C)

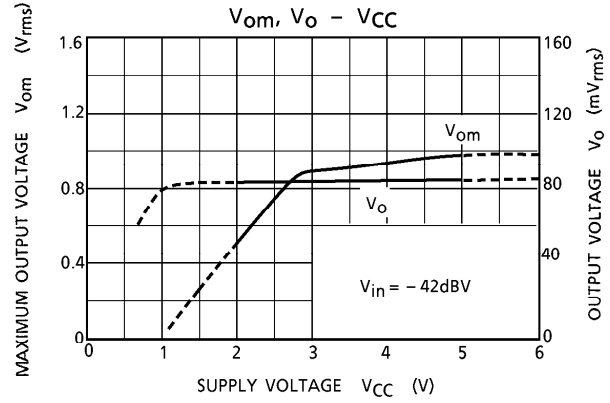
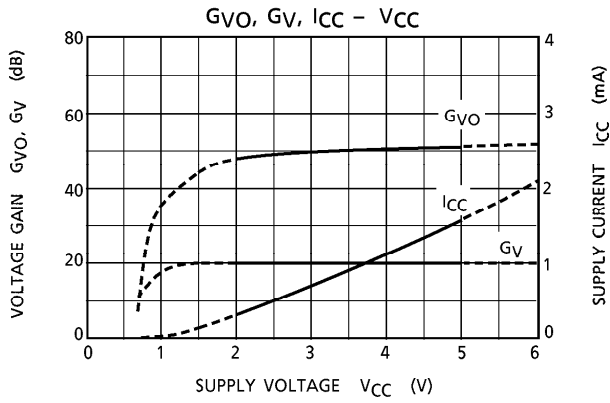
CHARACTERISTIC	SYMBOL	RATING	UNIT
Supply Voltage	V _{CC}	8	V
Operating Supply Voltage	V _{CC}	5	V
Power Dissipation	TA7330P	P _D (Note)	400
	TA7330F		
Operating Temperature	TA7330P	T _{opr}	-25~75
	TA7330F		-25~60
Storage Temperature	T _{stg}	-55~150	°C

(Note) Derated above Ta = 25°C in the proportion of 3.2mW/°C for the TA7330P and 2.8mW/°C for the TA7330F.

ELECTRICAL CHARACTERISTICS (Unless otherwise specified, V_{CC} = 3V, Ta = 25°C)

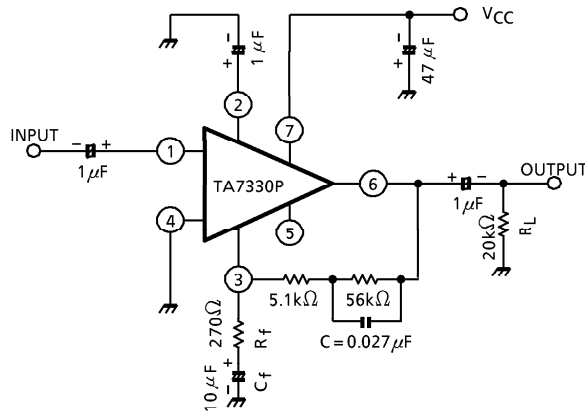
CHARACTERISTIC	SYMBOL	TEST CIRCUIT	TEST CONDITION	MIN.	TYP.	MAX.	UNIT
Quiescent Current	I _{CCQ} (1)	—		—	0.75	1	mA
	I _{CCQ} (2)	—	V _{CC} = 4.5V	—	1.38	1.8	
Open Loop Voltage Gain	G _{VO}	—	f = 1kHz	40	50	—	dB
Closed Loop Voltage Gain	G _V	—	f = 1kHz, R _{NF} = 10kΩ R _f = 1kΩ, R _L = 10kΩ	—	20	—	dB
Maximum Output Voltage	V _{om}	—	f = 1kHz, THD = 1%, R _L = 10kΩ	0.5	0.9	—	V _{rms}
Input Resistance	R _{IN}	—	f = 1kHz, R _{NF} = 10kΩ, R _f = 1kΩ	—	30	—	kΩ
Equivalent Input Noise Voltage	V _{ni}	—	R _g = 2.2kΩ, BPF = 50Hz~20kHz	—	1.0	2.5	μV _{rms}
ALC Range	W _{ALC}	—	f = 1kHz, ALC ON	—	40	—	dB



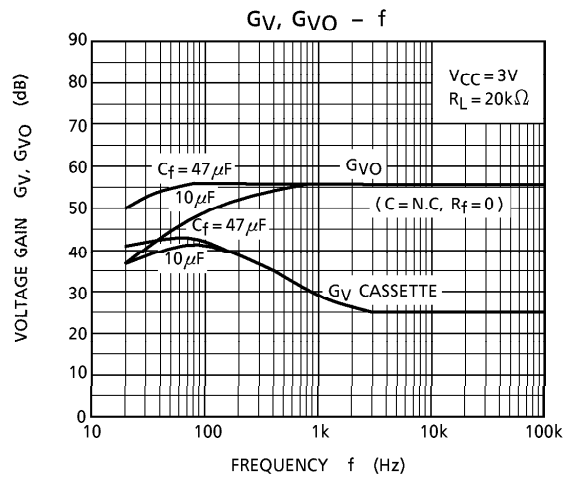
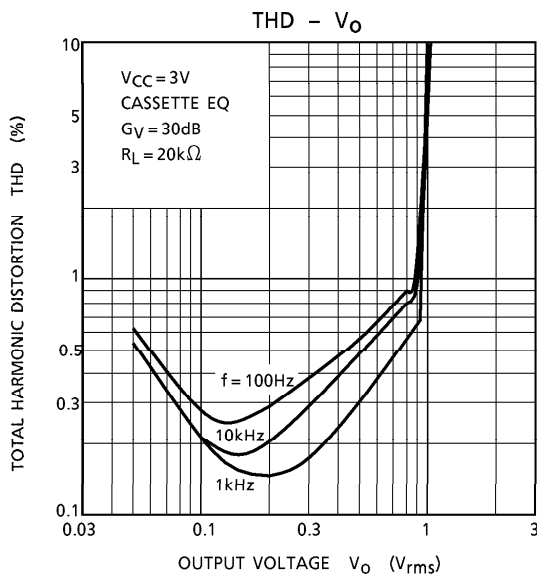
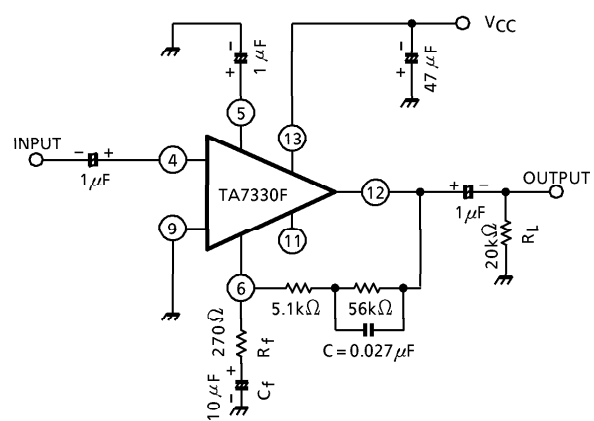


APPLICATION CIRCUIT CASSETTE EQUALIZER

TA7330P

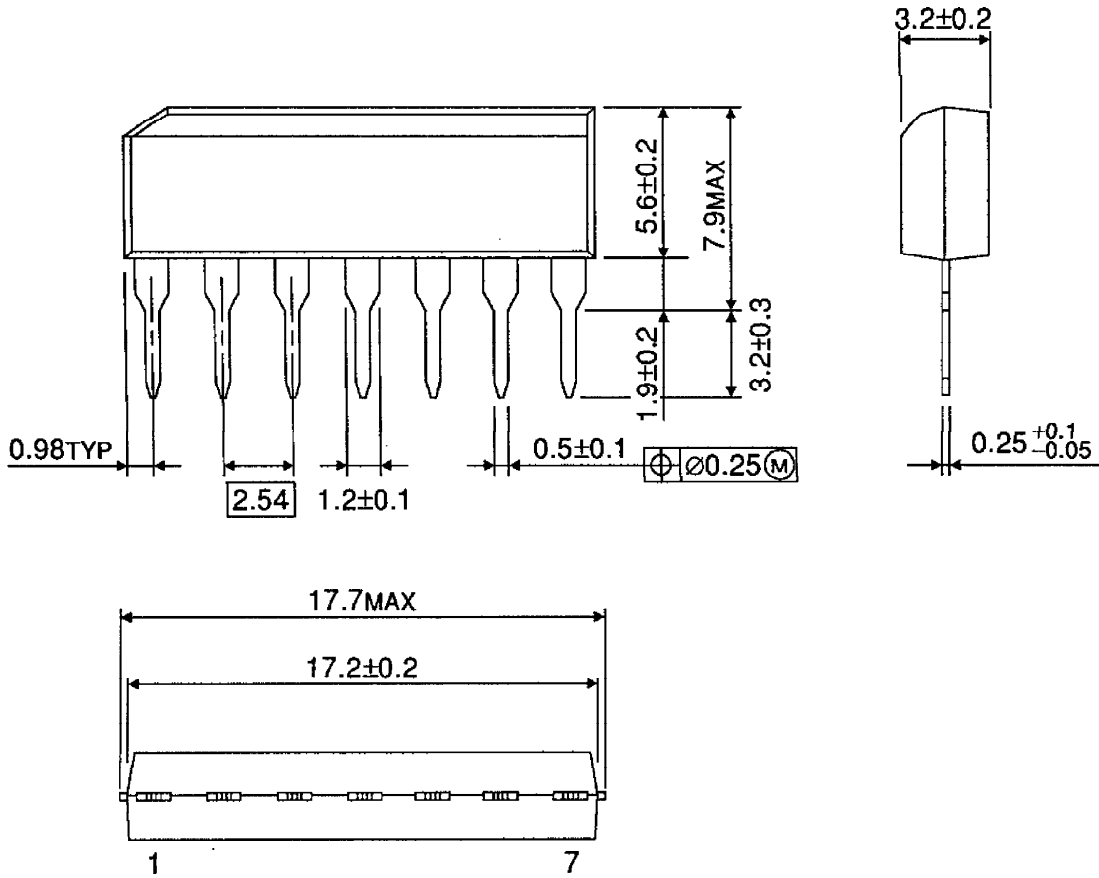


TA7330F



OUTLINE DRAWING
SIP7-P-A

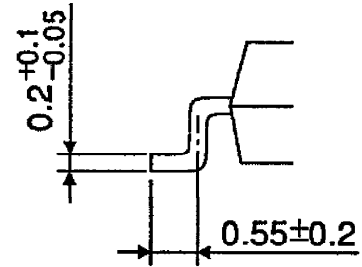
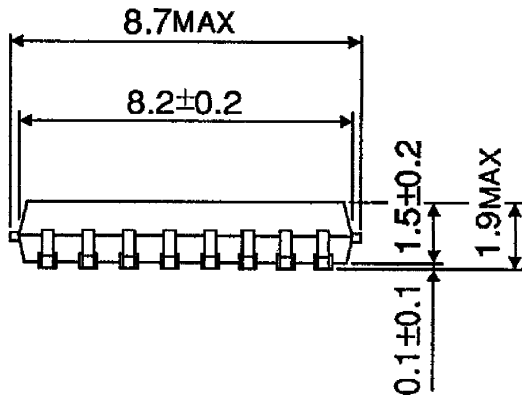
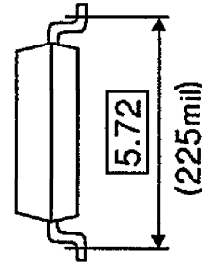
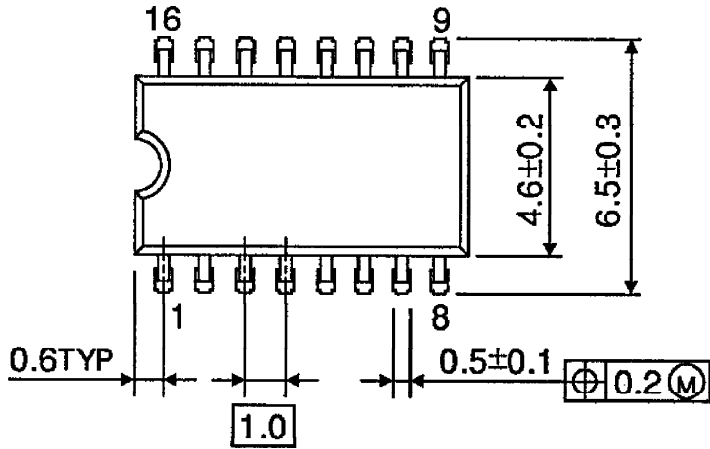
Unit : mm



Weight : 0.72g (Typ.)

OUTLINE DRAWING
SSOP16-P-225

Unit : mm



Weight : 0.14g (Typ.)