

**SINGLE-CHIP 4-BIT CMOS MICROCOMPUTER for VOLTAGE SYNTHESIZER  
with ON-SCREEN DISPLAY CONTROLLER**

**PIN DESCRIPTION**

Pin	Name	Input/ Output	Functions	Internal reset state	Pin structure
V <sub>DD</sub>	Supply voltage		Power supply inputs 5V±10% to V <sub>DD</sub> , and 0V to V <sub>SS</sub> .		
V <sub>SS</sub>					
OSC IN	Input for oscillating circuit	Input	These are I/O pins of internal clock oscillating circuit. Depending on the reference signal, connect either a quartz crystal resonator (4MHz) and capacitors to these pins.		Hysteresis characteristics exists
OSC OUT	Output for oscillating circuit	Output		CMOS output	
F <sub>0</sub> ~F <sub>3</sub>	Port F	Output	This port outputs data from the register A.	"L"	CMOS output
J <sub>0</sub> ~J <sub>3</sub>	Port J	Output	This port outputs data from the register A.	"H"	CMOS output
K <sub>0</sub> ~K <sub>3</sub>	Port K	Output	This port outputs data from the register A.	"H"	N-channel open-drain high-voltage output (12V)
H <sub>0</sub> ~H <sub>3</sub>	Port H	Output	① This port outputs data from the register A.	"H"	N-channel open-drain high-voltage output (12V)
			② This port can be connected to LED directly.		
M <sub>0</sub> ~M <sub>3</sub>	Port M	Output	This port outputs data from the lower 3 bits of the register A.	"H"	N-channel open-drain high-voltage output (12V)
E <sub>0</sub> ~E <sub>3</sub>	Port E	Input	External applied signal's level is read into the register A.		Built-in pull-up resistor (option)
G <sub>0</sub> ~G <sub>3</sub>	Port G	Output	① This port outputs data from the register A.	"H"	Built-in pull-up resistor (option)
		Input	② External applied signal's level is read into the register A.		
L <sub>0</sub> ~L <sub>3</sub>	Port L	Output	① This port outputs data from the register A.	"H"	Built-in pull-up resistor (option)
		Input	② External applied signal's level is read into the register A.		
		Input	③ L <sub>0</sub> can be used as an input pin for the HS counter.		
D	Port D	Output	① This port outputs data from the most significant bit of the register A.	Input state	CMOS tri-state I/O
		Input	② External applied signal's level is read into the carry flag.		
A-D	Comparative voltage input	Input	This pin is comparative voltage input for the 3-bit A-D converter.		
TEST	Input for test	Input	This is usually connected to V <sub>SS</sub> , and supply "L" (0V).		

**SINGLE-CHIP 4-BIT CMOS MICROCOMPUTER for VOLTAGE SYNTHESIZER  
with ON-SCREEN DISPLAY CONTROLLER**

RESET	Reset input	Input	If a "L" (0V) input is applied, the reset state is entered. If the input is change from "L" to "H", the internal reset continues for at least 3 machine cycles. For normal use, apply a "H" input. Also, when the power is initially applied, an external circuit is required for reset.		Built-in pull-up resistor (option), and hysteresis characteristics exist.
D-A	14-bit PWM output	Output	① According to the 14-bit digital information, the PWM signal is output. The repeated frequency is 122Hz, and the minimum pulse width is 500ns. And, the input polarity can be changed by selecting the option. ② This pin can be used as an 1-bit output port.	The output state is undefined until the data is input into D-A latch.	CMOS output
VDP <sub>0</sub> VDP <sub>1</sub> VDP <sub>2</sub>	7-bit PWM output	Output	① According to the 7-bit latched data, the PWM signal (which has 65 levels) are output. The frequency is 1kHz, and the minimum pulse width is 16μs. And, the input polarity can be changed by selecting the option. ② This pin can be used as 1-bit output port.	VDP <sub>0</sub> is not active state, the other state is undefined until the data is input into D-A latch.	N-channel open-drain high-voltage output (12V)
INT	Interrupt input	Input	This pin used when an external interrupt is applied to the CPU.		Built-in pull-up resistor (option)
Hsync	Horizontal synchronizing signal input for display	Input	This is the horizontal synchronizing signal input pin for TV applications. The input polarity can be changed by selecting an option.		
Vsync	Vertical synchronizing signal input for display	Input	This is the vertical synchronizing signal input pin for TV applications. The input polarity can be changed by selecting an option.		
OSC1	Oscillator Input for display	Input	A display clock can be obtained by connecting a variable resistor (described later) and a capacitor, or both a coil and capacitors, between these pins.		
OSC2	Oscillator output for display	Output		CMOS output	
R, G, B	R, G, B output	Output	These pins control the color display data. The output polarity can be changed by selecting an option.	Not an active state.	CMOS output
OUT	OUT output	Output	This is a logical OR output for the R, G, B pins. The output polarity can be changed by selecting an option.	Not an active state.	CMOS output

**SINGLE-CHIP 4-BIT CMOS MICROCOMPUTER for VOLTAGE SYNTHESIZER  
 with ON-SCREEN DISPLAY CONTROLLER**

**BASIC FUNCTION BLOCKS  
 14-BIT PWM OUTPUT**

(1)  $\overline{D-A}$  port

The 14-bit PWM output port ( $\overline{D-A}$ ) outputs the pulse width modulated (PWM) signals. It can also be used as a tuning-voltage output port.

As shown in Figure 1, the  $\overline{D-A}$  port has a 14-bit D-A latch and a 15-bit D-A latch. Altogether, the 15-bits of data (addresses  $M(0,0)$ ,  $M(0,1)$ ,  $M(0,2)$ , and except

for the most significant bit of address  $M(0,3)$ ) are transferred to the D-A latch by the DATA instruction. According to the lower 14-bit digital information, the pulse width modulated signals are output from the  $\overline{D-A}$  port. By performing D-A conversion on these output rectangle waves (via the integration circuit), a tuning voltage can be generated. And, the  $\overline{D-A}$  port can be used as a 1-bit output by controlling the upper 1-bit.

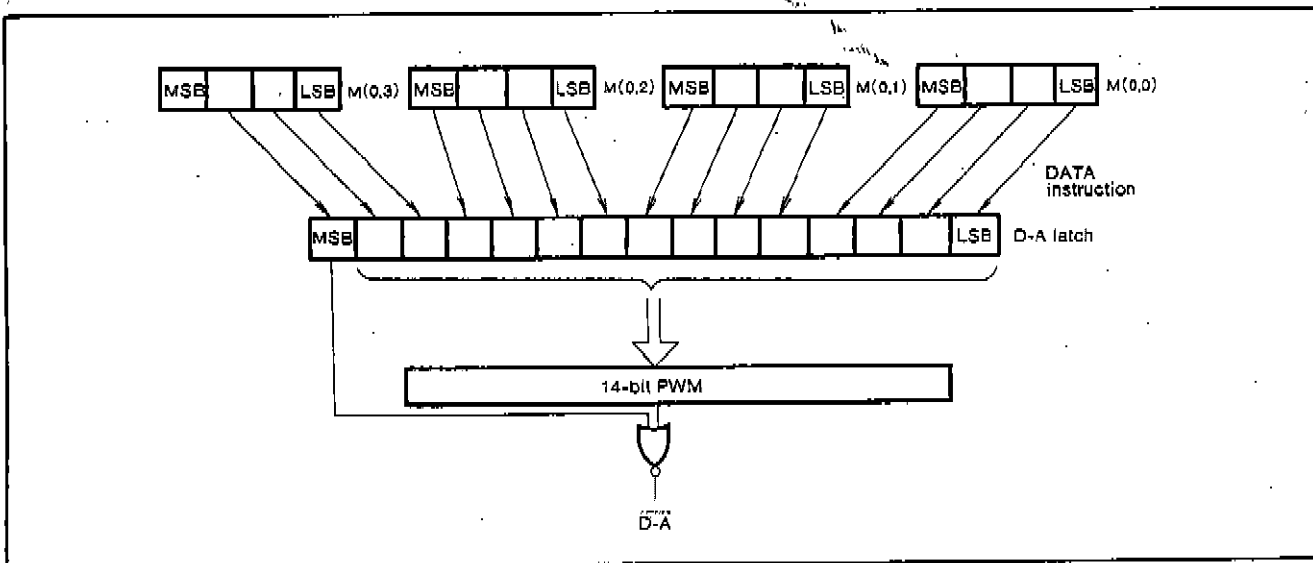


Fig.1 RAM, D-A latch, 14-bit PWM, and D-A port

(2)  $\overline{D-A}$  port output signals

The periodic interval ( $T_0$ , about 122 Hz) can be divided into  $2^{14}$  minimum pulse widths ( $t_0$ , 500ns), and the pulse width can be modulated by that  $t_0$  unit depending on the 14-bit data.

Also, by creating a small periodic interval ( $T_s$ , about 7.8kHz with  $64T_s = T_0$ ), which is 256 times  $t_0$ , pulses of almost equal width can be output with a period of  $T_s$ .

$T_m$  ( $m = 1 \sim 64$ ), defined as the signal duration in 64 small intervals, is determined as follows: First, the 14-bit data is split into two parts: the lower 6 bits and the upper 8 bits. When the number designated by the lower 6 bits reaches 64, it is moved up one place. So  $T_m$  ( $1 \sim 64$ ) = (number indicated by upper 8 bits)  $\times t_0$  in the 64 small intervals. Furthermore, as many  $t_0$ 's as are indicated by the lower 6 bits are added one by one in the 64 small intervals. The relationship between this lower 6-bit data and  $T_m$  is shown in Table 1.

Table 1. Relationship between the Lower 6-bit Data and  $T_m$

Lower 6-bit data	Interval longer (by $t_0$ ) than other $T_m$ 's ( $m=1 \sim 64$ )
0 0 0 0 0 0 <sup>LSB</sup>	None
0 0 0 0 0 1	$m=32$
0 0 0 0 1 0	$m=16, 48$
0 0 0 1 0 0	$m=8, 24, 40, 56$
0 0 1 0 0 0	$m=4, 12, 20, 28, 36, 44, 52, 60$
0 1 0 0 0 0	$m=2, 6, 10, \dots, 58, 62$
1 0 0 0 0 0	$m=1, 3, 5, \dots, 61, 63$

The 64 cases from 000000 to 111111 can be expressed by the seven combinations shown in the Table 1. Also, by combining the upper 8 bits,  $2^{14}$  sets from 00000000000000 to 11111111111111 can be expressed.

If the upper 8 bits of the 14-bit are 00000011, and the lower 6 bits are 000101, (for example,  $T_8, T_{34}, T_{32}, T_{40}$ , and  $T_{56} = 4t_0$ ) and all the other  $T_m$ 's become "L" during  $3t_0$ . Figure 2 shows this example.

**SINGLE-CHIP 4-BIT CMOS MICROCOMPUTER for VOLTAGE SYNTHESIZER  
with ON-SCREEN DISPLAY CONTROLLER**

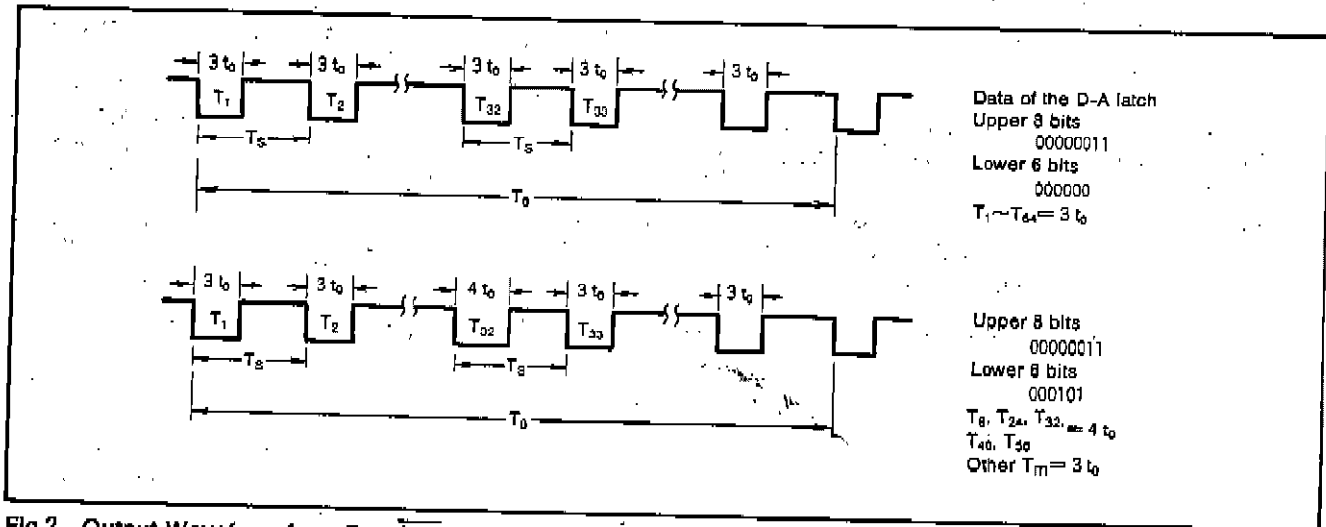


Fig.2 Output Waveform from Port D-A

Thus, those duration times of  $T_m$ 's (of the level in each small interval) can coincide or become almost equal with at most  $t_0$  difference. This periodic time of the small interval ( $T_s$ , about 7.8kHz) approximates the repeated frequency.

After the RAM data at the specific address is set, the output pin status will still be unstable until the DATA Instruction is executed.

### 7-BIT PWM OUTPUT

(1) VDP port

The 7-bit PWM output port (VDP) is used to output the pulse width modulated (PWM) signals. It can also be used as an output port for various analog data control by using lowpass filter. A 7-bit analog latch is connected through PWM block to the VDP port. The lower 3 bits of register B and the 4-bit data of register A are transferred to the analog latch by the  $VDP_{0-2}$  instructions. According to this 7-bit digital information, the pulse width modulated signals (changeable to 64 levels) are output from the VDP port thus allowing various analog data to be controlled.

(2) Output waveform from the VDP port

According to the 7-bit analog latch data, the VDP port outputs pulses, whose widths have been modulated by every minimum pulse width ( $t$ ) ( $16\mu s$ ), in every periodic time interval ( $T$ ) (about 1kHz of repeated frequency).  $T$  can be divided into 64 sets of  $t$ . An example of this is shown in Table 2. Thus, Pulse-width-modulated signals from 0000000 to 1XXXXXX can be obtained.

When the VDP port output needs to be changed, enter the corresponding data of the desired pulse width output into register A and B. Then transfer this data to the analog latch using the  $VDP_{0-2}$  instructions.

Table 2. Relationship between the 7-bit Data and the Output Waveform from Port VDP

7-bit data	$m$ ( $m=1 \sim 64$ ) is become "H" in the period $T (=64t)$
0 0 0 0 0 0 0	None (all "L")
0 0 0 0 0 0 1	$m=32$
0 0 0 0 0 1 0	$m=16, 48$
0 0 0 0 1 0 0	$m=8, 24, 40, 56$
0 0 0 1 0 0 0	$m=4, 12, 20, 28, 36, 44, 52, 60$
0 0 1 0 0 0 0	$m=2, 6, 10, \dots, 58, 62$
0 1 0 0 0 0 0	$m=1, 3, 5, \dots, 61, 63$
1 X X X X X X	$m=1 \sim 64$ (all "H")

### INTERRUPT

(1) IF flag

The IF (Interrupt Flag) consists of four bits. ED1 sets the polarity of the input signal input to the  $\overline{INT}$  pin. ED2 selects two kinds of reference clocks that determine the pulse interval of the input signal to the  $\overline{INT}$  pin.

EDF is a bit indicating the EI/DI state. A "0" inhibits the interrupt, while a "1" allows the interrupt. The EI/DI state is set by the EI or DI Instruction. INTF is a bit indicating the presence or absence of an external interrupt input. This bit is set to "1" when an external interrupt occurs. When in the EI state and an interrupt is accepted, the INTF signal is cleared and set to "0". The EDF signal is automatically set to "0".

The data of the lower two bits of the IF flag is moved from register A by the TIFA instruction and the IF flag is read and transferred to register A by the TAIF instruction.

**SINGLE-CHIP 4-BIT CMOS MICROCOMPUTER for VOLTAGE SYNTHESIZER  
with ON-SCREEN DISPLAY CONTROLLER**

Table 3. Structure of IF Flag

Flag	Data	Description
ED1 (bit 0)	0	Interrupt occurs at falling edge of INT pin
	1	Interrupt occurs at rising edge of INT pin
ED2 (bit 1)	0	Select 64 $\mu$ s standard clock
	1	Select 128 $\mu$ s standard clock
EDF (bit 2)	0	External Interrupt is disabled
	1	External Interrupt is enabled
INTF (bit 3)	0	Indicate no existence of interrupt request
	1	Indicate existence of interrupt request

(2) Acceptance of an interrupt

Recognition of an interrupt is made by sensing the pulse edge. About 68 $\mu$ s~128 $\mu$ s (changeable to 136 $\mu$ s to 256 $\mu$ s by the ED2 flag) after the signal applied to the  $\overline{\text{INT}}$  pin drops, the signal can be recognized as an interrupt. The interrupt request signal (INT) is then generated to set the interrupt flag (INTF/F). Whether this interrupt is accepted or not depends upon the condition of EI/DI flag. If the EI/DI flag is set to "1", an interrupt request can be accepted. On the other hand, if

the EI/DI flag is "0", the interrupt request is disabled. At this time, so INTE flag is set, an interrupt is accepted as soon as EI/DI flag is set to "1".

(3) Interrupt control circuit

The interrupt control circuit, shown in Figure 5, is composed of the INTF/F (Interrupt flag) and EI/DI flag.

The interrupt request signal (INT) described above, is input to INTF/F. This signal acknowledge the existence of an input. When an interrupt is accepted and jumping to the interrupt processing routine is executed, the INTF/F is automatically reset.

The logical product of outputs (from INTF/F and EI/DI flag) produces an interrupt signal (INT). Once an interrupt is accepted, the program execution automatically jump to address 3, and the next program address to be executed is pushed on the stack register. The DI state is then automatically set.

At reset, the EI/DI flag enters the DI state, INTF/F enters the reset state, and no other interrupt can be accepted.

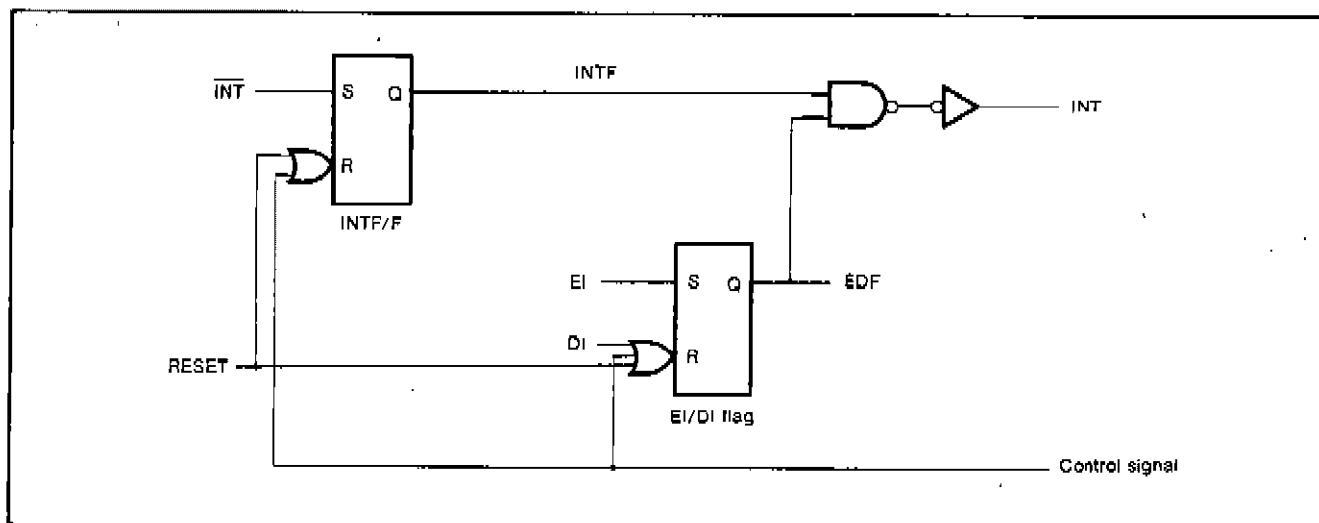


Fig.3 Interrupt Control Circuit

**REGISTER I**

Register I, is a 3-bit read-only register which stores bit data and word-end data of the interrupt request signals. It also stores the input status of the  $\overline{\text{INT}}$  terminal.

The INT input circuit includes a counter which checks the interval between interrupts. When using remote control, this signal can be input to the  $\overline{\text{INT}}$  pin.

There are two sets of standard clocks to measure the  $\overline{\text{INT}}$  pin pulse intervals; one with a 64 $\mu$ s cycle, and one with a 128 $\mu$ s cycle. Those clocks can be switched using the EDF. By using one of these clocks, the following two decisions can be made; a bit judgement (bit data), expressed as a "1" or "0", indicating whether the pulse interrupt (between the falling or rising edges of the input signals) is longer or

shorter than the standard interval (about 1.54ms), respectively. The other is a word decision (word-end) which determines whether one word has been reached. This is done by comparing the pulse interval with the standard time interval of about 3.2ms. If using the 128 $\mu$ s cycle clock, both the time interval described above and that described in "Interval" needs to be doubled (See Table 4).

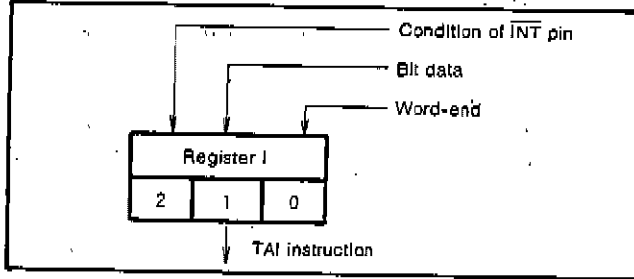
The bit data described above is stored in bit 0 of register I. If the pulse interval is shorter than the standard time interval, this bit is set to "0". Otherwise, it is set to "1". The word decision data is stored in bit 1 also. Bit 2 of register I stores the input status of the  $\overline{\text{INT}}$  pin.

The entire data of register I can be read into register A by executing the TAI instruction. Refer to Figure 4.

**SINGLE-CHIP 4-BIT CMOS MICROCOMPUTER for VOLTAGE SYNTHESIZER  
with ON-SCREEN DISPLAY CONTROLLER**

**Table 4. Judgment of Bit Data, Word-end (at 4MHz frequency)**

	Clock period	Pulse Interval ( $T_P$ )	Bit data	Word-end
Standard time (fast)	64 $\mu$ s	$T_P < 1.54\text{ms} \pm 64\mu\text{s}$	0	0
		$(1.54\text{ms} \pm 64\mu\text{s}) \leq T_P < 3.2\text{ms} \pm 64\mu\text{s}$	1	0
		$(3.2\text{ms} \pm 64\mu\text{s}) \leq T_P$	1	1
Standard time (slow)	128 $\mu$ s	$T_P < 3.07\text{ms} \pm 128\mu\text{s}$	0	0
		$(3.07\text{ms} \pm 128\mu\text{s}) \leq T_P < 6.4\text{ms} \pm 128\mu\text{s}$	1	0
		$(6.4\text{ms} \pm 128\mu\text{s}) \leq T_P$	1	1

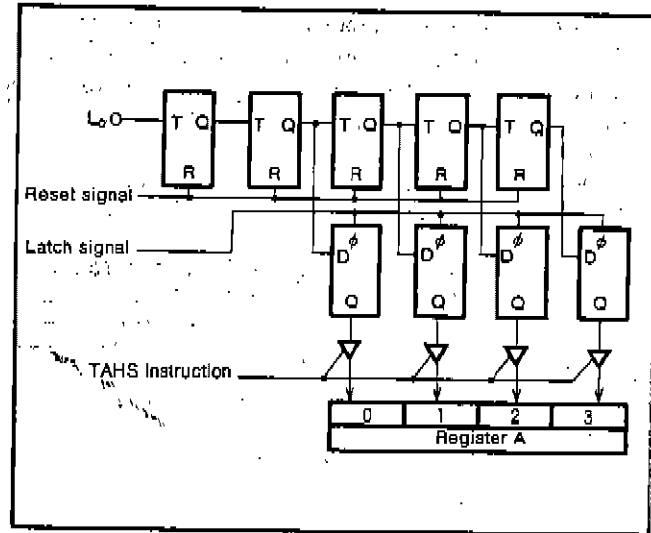


**Fig.4 Structure of Register I**

**HS COUNTER**

The HS counter is composed of a 5-bit counter which inputs signals from  $L_0$  of port L and a latch which stores the upper 4 bits of the counter (refer to Figure 5). Using this counter, the existence of video signals can be determined. The counter is first reset and then begins counting for a period about 1.02ms (255 machine cycles) the number of pulses entered at  $L_0$ . It stores this count in the latch during the next 0.004ms (1 machine cycle).

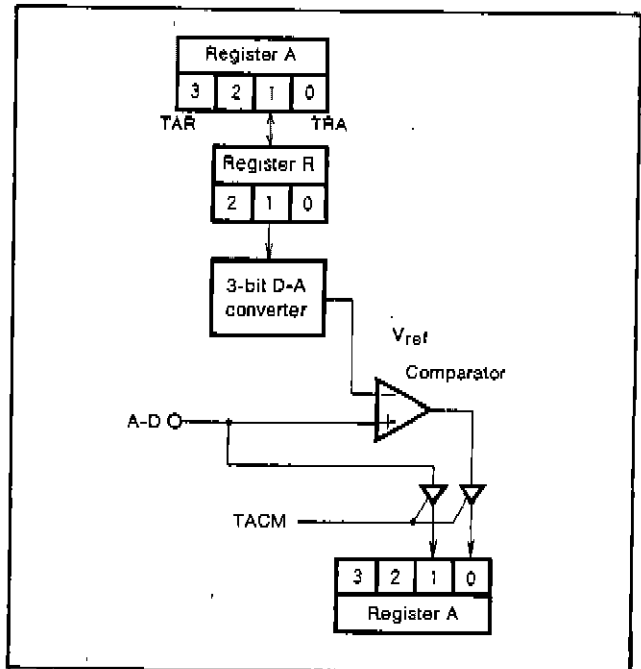
Then, after it is reset, it again starts counting the pulses input to  $L_0$ . If the number of pulses entered into  $L_0$  exceeded 32, the counter value becomes "0". While the counter data is being transferred into the latch and the counter being reset, the pulse input to  $L_0$  is disabled.



**Fig.5 Structure of HS counter**

**A-D CONVERTER AND REGISTER R**

The A-D converter is composed of a 3-bit D-A converter and a comparator. Data is placed in the D-A converter through register R in such a way that the lower 3 bits of register A are transferred to register R by the TRA instruction. After that, the D-A reference voltage ( $V_{ref}$ ) is set. When the TACM instruction is executed the  $V_{ref}$  data, compared with the comparative voltage of the A-D port, is transferred to the least significant bit of register A.



**Fig.6 Structure of A-D Converter**

**SINGLE-CHIP 4-BIT CMOS MICROCOMPUTER for VOLTAGE SYNTHESIZER WITH ON-SCREEN DISPLAY CONTROLLER**

The D-A converter can produce 8 different reference voltages ( $V_{ref}$ , voltages independent of  $V_{DD}$ ) depending on the contents of register R. The relationship between the analog voltage (comparative voltage) supplied to the A-D pin and  $V_{ref}$  is as follows:

- "1", if the comparative voltage > the reference voltage
- "0", if the comparative voltage < the reference voltage

**Table 5. The Contents of register R and Reference Voltage ( $V_{ref}$ )**

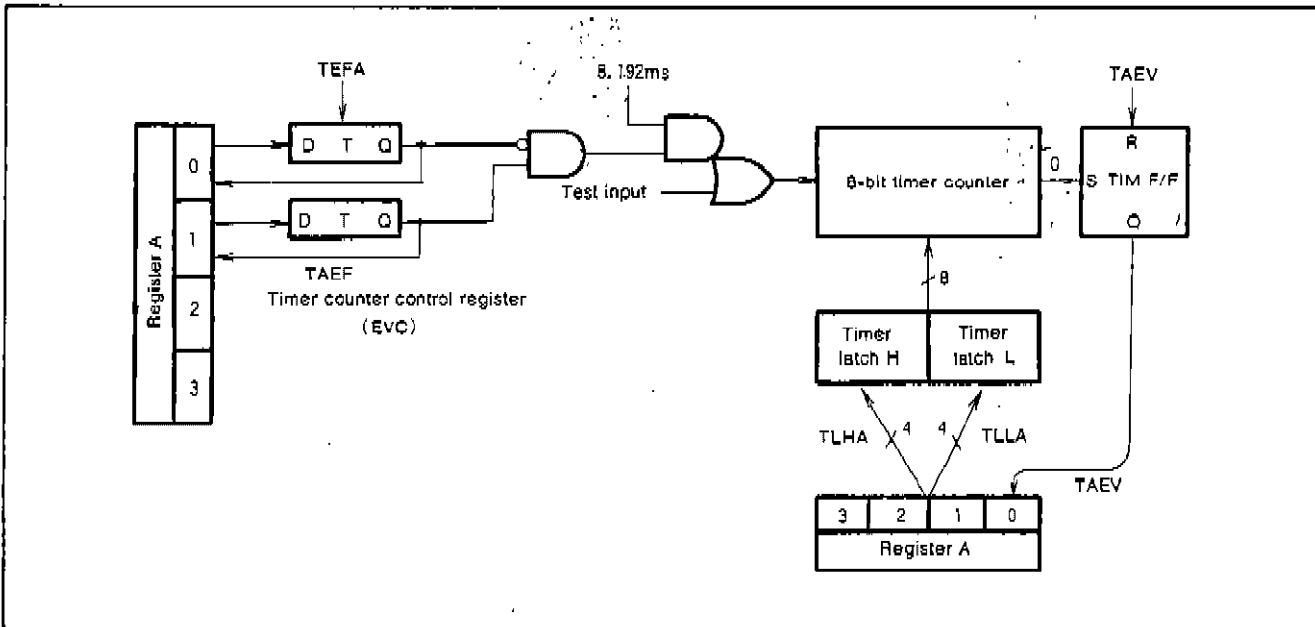
Register R		Reference voltage
DEC	Binary	$V_{ref}(V_{DD} = 5V)$
0	0 0 0	1.12V
1	0 0 1	1.56V
2	0 1 0	2.00V
3	0 1 1	2.45V
4	1 0 0	2.89V
5	1 0 1	3.34V
6	1 1 0	3.79V
7	1 1 1	4.23V

**8-BIT TIMER COUNTER**

The 8.192ms clock is counted down with an 8-bit counter. When the count reaches zero, the timer flip-flop (TIMF/F) is set and the content of the 8-bit timer latch is again loaded into the counter.

(1) Timer counter control register (EVC)

This register is used to control the clock input to the counter. Executing the TEFA instruction causes the lower 2 bits in register A to be transferred to EVC. Execution of the TAEF instruction causes that control register information to be moved back into register A. The control register operation is shown in Table 6.



**Fig.7 Structure of Timer Counter**

**SINGLE-CHIP 4-BIT CMOS MICROCOMPUTER for VOLTAGE SYNTHESIZER  
 WITH ON-SCREEN DISPLAY CONTROLLER**

(2) Timer latch

This is an 8-bit latch. The contents of register A are moved into the lower 4 bits of the timer latch by the execution of the TLLA instruction, and into the upper 4 bits of the event latch by the TLHA instruction.

(3) Timer counter

The clock input to the L<sub>1</sub> pin or the internal clock (selected by EVC) is counted down. When the count reaches zero, the timer flip-flop (TIME/F) is set, and the contents of the timer latch are reloaded into the timer counter.

(4) Timer flip-flop (TIME/F)

When the contents of the timer counter reaches zero, the timer flip flop is set, and then reset, after the flip flop contents are moved into the A register by the TAEV instruction.

**Table 6. Event Counter Control Register (EVC)**

Control Register				Description
3	2	1	0	
—	—	0	0	Stop the counter
—	—	0	1	
—	0	1	0	Select the 8.192ms internal clock
—	0	1	1	Not select internal clock, and the contents of counter are indefinite
—	1	1	0	Select the 8.192ms internal clock after resetting the counter
—	1	1	1	Not select internal clock, and the contents of counter are indefinite

**CRT DISPLAY**

The M50436-XXXSP is capable of screen display and can directly control the screen display by executing the appropriate instructions.

(1) Number of display characters

These are two display blocks, each block being 1 line by 16 characters.

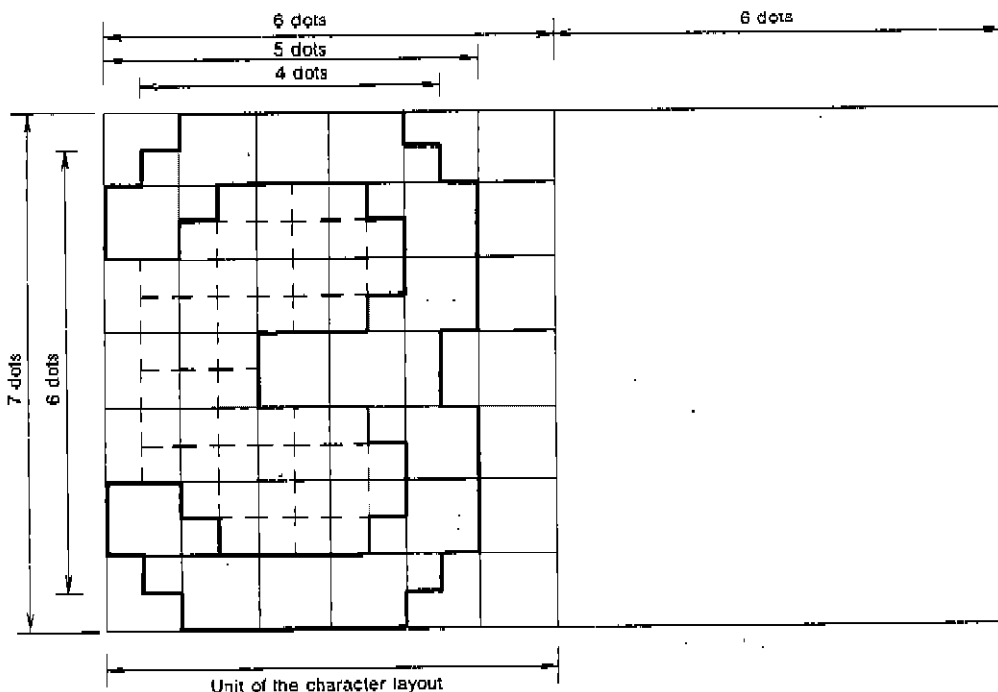
As shown in Table 7, the 4-th bit of the CRT control (CC) register allows the 1 line by 16-character mode. Also shown in the table 7, the on/off of the display of each block can be controlled separately by the CC register.

Data is transferred from register A to register CC by executing the TCCA instruction.

**Table 7. Control Mode of Register CC**

Register CC	Bit	Data	Functions
	0	0	0
1		1	All display ON
1	0	0	Block 1 display OFF
	1	1	Block 1 display ON
2	0	0	Block 2 display OFF
	1	1	Block 2 display ON
3	0	0	Block 3 display OFF
	1	1	Block 3 display ON

If reset, all the bits of register CC are set to "0".



**Fig.5 Unit of the Character Layout**



## SINGLE-CHIP 4-BIT CMOS MICROCOMPUTER for VOLTAGE SYNTHESIZER WITH ON-SCREEN DISPLAY CONTROLLER

### (2) Character layout

A displayed character consists of a matrix of  $6 \times 7$  dots.

If a one-dot space is allowed between adjacent characters (in the horizontal direction), one character will be displayed from  $5 \times 7$  dots.

Also, within the  $5 \times 7$  dot matrix, is rounding feature of  $4 \times 6$  dots which can be shifted by half a dot. This is to

enable the display of a smooth character pattern. Refer to Figure 8.

For kanji character display, a  $12 \times 14$  dot display can be enabled by specifying block 1 and block 2 of vertically adjacent positions.

Refer to Figure 9.

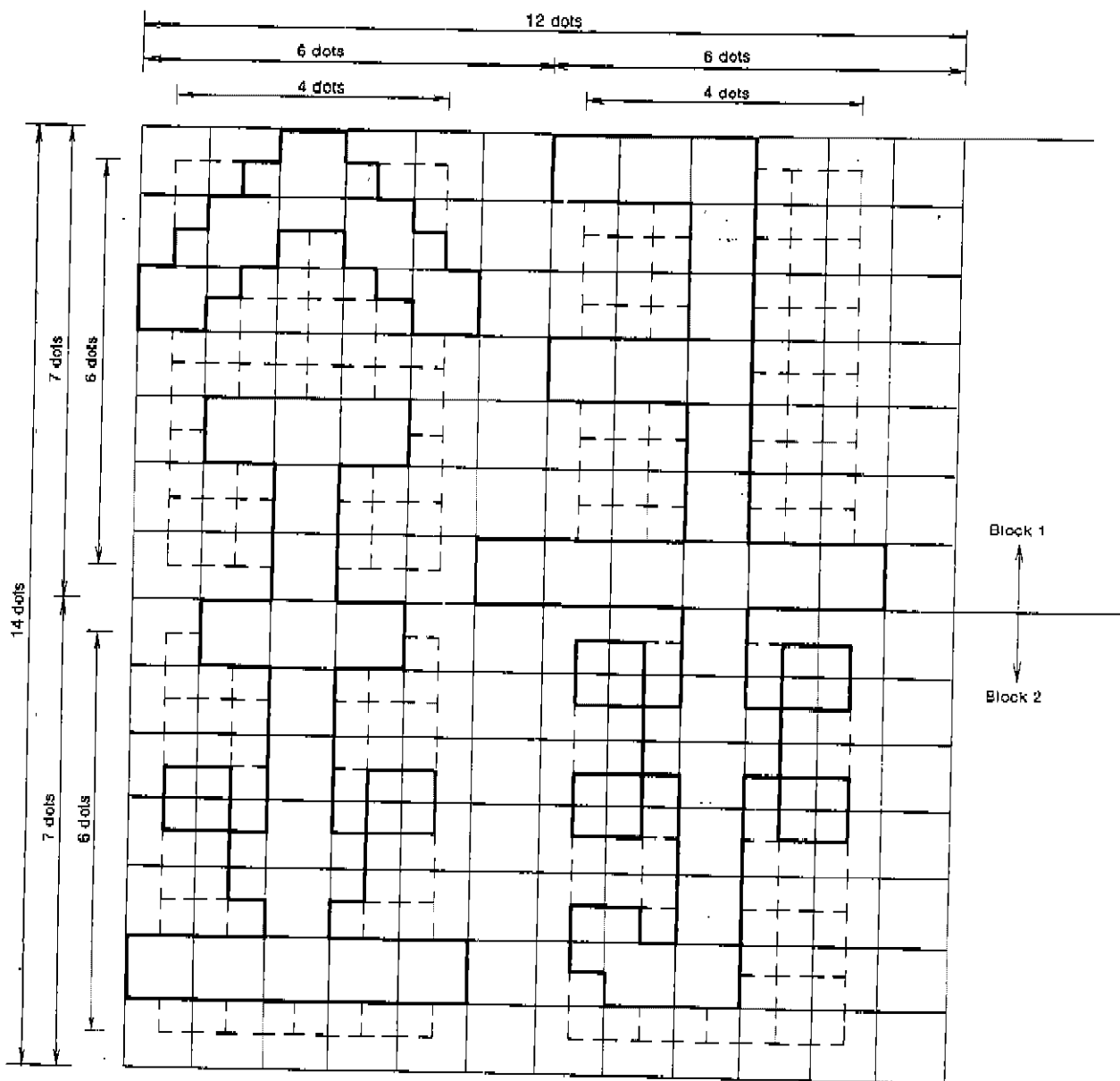


Fig.9 Character Layout for Kanji

**SINGLE-CHIP 4-BIT CMOS MICROCOMPUTER for VOLTAGE SYNTHESIZER WITH ON-SCREEN DISPLAY CONTROLLER**

(3) Display characters

Sixty four sets of character patterns, including those with the rounding feature, can be given in the character ROM. Table 8 shows the displayed characters.

Table 8. Display Characters

$Cr_3-Cr_0$	$Cr_5-Cr_4$	0	1	2	3
0	A	R	0	×	
1	B	S	1	イ	
2	C	T	2	ン	
3	D	U	3	サ	
4	E	V	4	ブ	
5	F	W	5	ス	
6	G	X	6	テ	
7	H	Y	7	レ	
8	I	Z	8	オ	
9	J	.	9	フ	
A	K	[	:	タ	
B	L	]		マ	
C	M	/	-	ヨ	
D	N	ビ	-	ヤ	
E	P	デ	-	ク	
F	Q	オ	Blank	Blank	

One character portion of the display memory is composed of a 2-bit color specification and a 6-bit character code which corresponds to each character shown in Table 8. Figure 10 shows the structure of display memory.

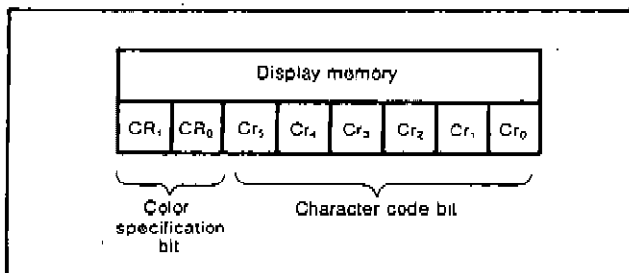


Fig.10 Structure of Display Memory

(4) Color designation

The display colors are determined by selecting color registers 0 to 3 which are pointed by the two bits of the display memory. Since there are only four kinds of color registers that can be specified by two bits, only four colors can be specified at a time. The R, G, B output enables seven different colors. The color registers are set from register A data by the TCnA ( $n=0\sim3$ ) instruction. This is shown in Figure 11.

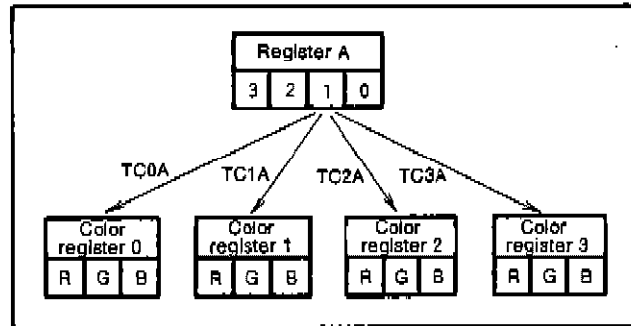


Fig.11 Setting of Color register

A color designation bit (R, G, and B) outputs nothing if it is "0" but becomes an active output if it is "1". If all bits for the R, G, and B are set to "0", nothing is output even through the character code is specified. Table 9 shows the correspondence between the color-designated bit data and actual output colors.

The OUT pin is the logical sum output of the R, G, and B pins and can be used as a background colors cut off when characters are output.

A set of three pins, R, G, and B, and the output polarity of the OUT pin can be specified when the ROM code is determined.

Table 9. Color Specification Bits and Output Colors

Color specification bit			Color
R	G	B	
0	0	0	—
0	0	1	Blue
0	1	0	Green
0	1	1	Cyan
1	0	0	Red
1	0	1	Magenta
1	1	0	Yellow
1	1	1	White

**SINGLE-CHIP 4-BIT CMOS MICROCOMPUTER for VOLTAGE SYNTHESIZER WITH ON-SCREEN DISPLAY CONTROLLER**

(5) Display location

Block 1 can select 64 levels of display location both in horizontal and vertical directions. The horizontal direction of block 2 and block 3 are the same location as block 1, and only the vertical location of block 2 and

block 3 can be selected from the 64 levels of the display location, starting from the end location of block 1, and block 2, respectively.

Figure 12 shows the display locations of blocks 1, 2, and 3 on the screen.

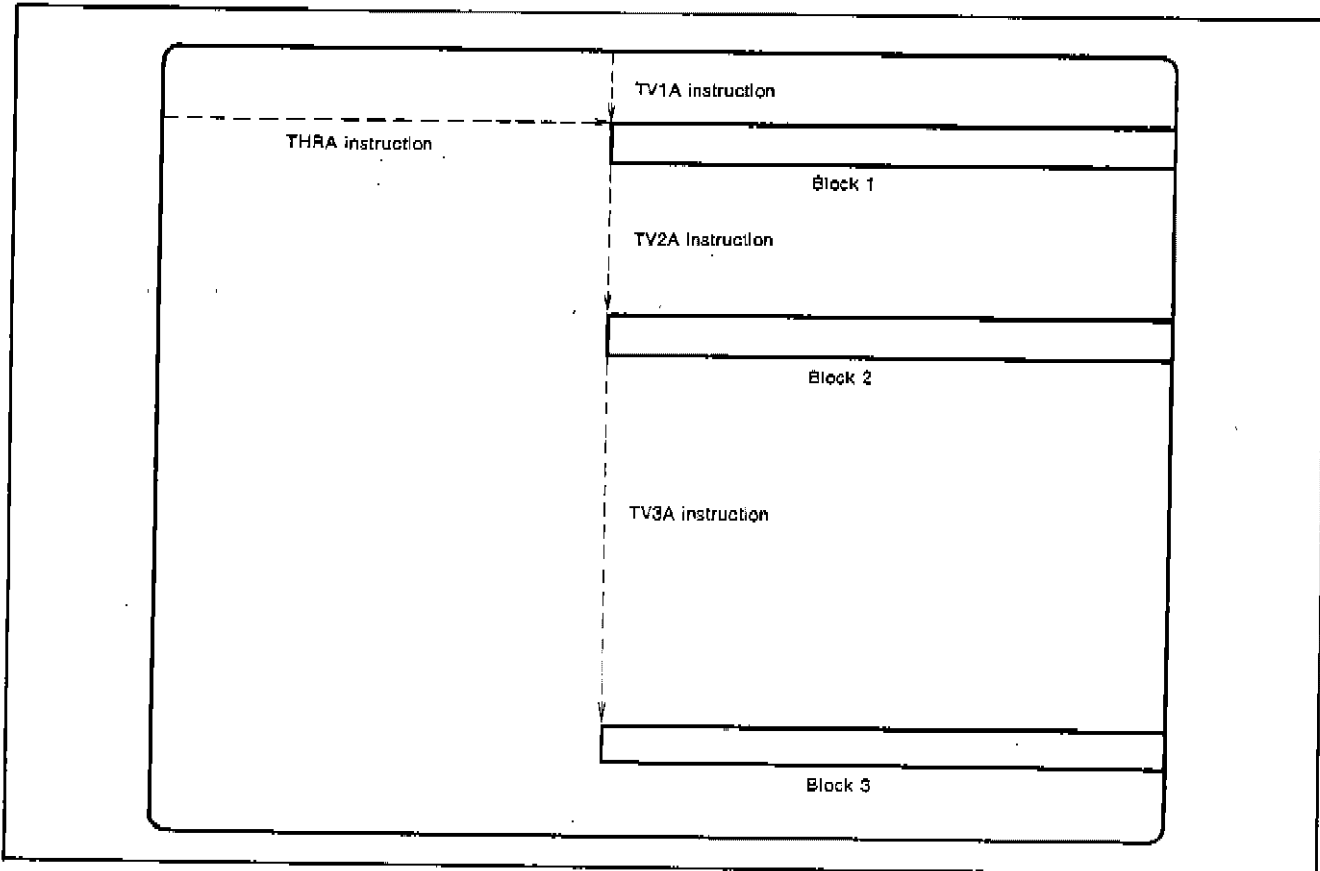


Fig.12 Display Locations of Block 1,2 and 3 on the CRT Screen

The size of one level is  $4T_c$  ( $T_c$ : Display oscillation frequency) in the horizontal direction, and 4 scan lines in the vertical direction.

(6) Display character size

Four sets of display character sizes can be selected. The display character size can be set when the upper 2 bits of register C are transferred (as character size data) to the character size register by executing the TVnA instruction. The relationship between the upper 2 bits of register C and the character size display are shown in Table 10.

Table 10. Upper 2 Bits of Register C and Display Character Size

Register C		Display character size	Horizontal direction (display oscillation frequency cycle)	Vertical direction (number of screen lines)
C <sub>3</sub>	C <sub>2</sub>			
0	0	Small	$2T_c$	2
0	1	Medium	$4T_c$	4
1	0	Large	$6T_c$	6
1	1	Special large	$8T_c$	8

Size of 1 dot

(7) Display oscillating circuit

The clock signals for display can be obtained by connecting a resistor and a capacitor, or a coil and capacitors between the I/O pins for the oscillating circuit (OSC1 and OSC2). (Figure 13 shows an example of the circuit).

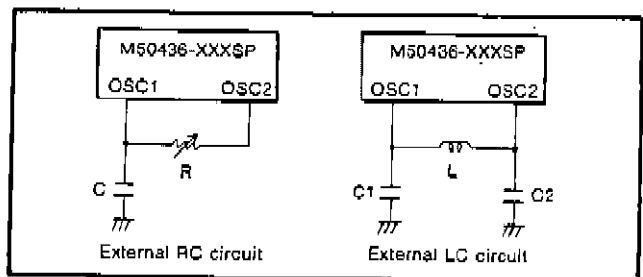


Fig.13 Oscillating Circuit for Display

**SINGLE-CHIP 4-BIT CMOS MICROCOMPUTER for VOLTAGE SYNTHESIZER  
 WITH ON-SCREEN DISPLAY CONTROLLER**

**OSCILLATING CIRCUIT**

Since the CMOS inverter and feed-back pull-up resistor are built into the IC, the reference signal can be obtained by connecting a ceramic resonator between the oscillating circuit input pin and the output pin (OSC IN and OSC OUT), (Figure 14 shows an example of the circuit).

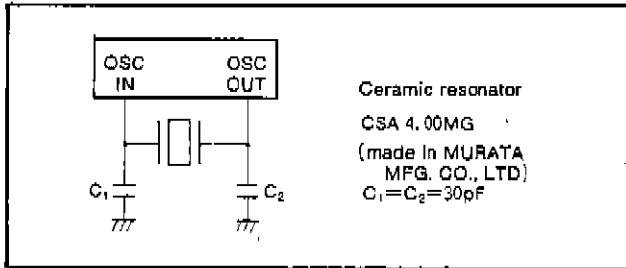


Fig.14 External Ceramic Resonator Circuit

**RESET FUNCTION**

By connecting a circuit to the  $\overline{\text{RESET}}$  pin as shown in Figure 15, a reset can be implemented when the power is applied. The  $\overline{\text{RESET}}$  pin contains a Schmitt circuit, therefore a reset is accomplished only when the voltage ( $V_C$ ) of the  $\overline{\text{RESET}}$  pin exceeds the threshold voltage  $V_{TH1}$ . Once reset, a second reset can not be made until  $V_C$  falls below the threshold Voltage  $V_{TH2}$ . Furthermore, to ensure that the reset is made when power is applied, the time interval  $T_C$  (which is the time between the power supply voltage  $V_{DD}$  reaching 4.5V and  $V_C$ )  $V_{TH1}$  must be less than 1 ms. Figure 16 describes this.

The reset function initializes the program counter to 0.

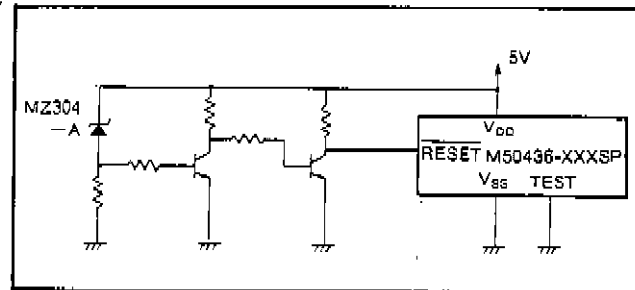


Fig.15 Power-on Clear Circuit

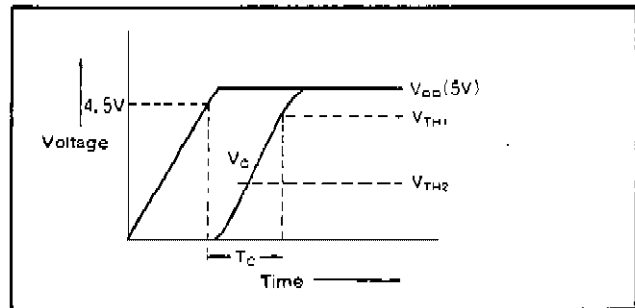


Fig.16 Relationship between the Voltage and the Auto Clear Function

SINGLE-CHIP 4-BIT CMOS MICROCOMPUTER for VOLTAGE SYNTHESIZER WITH ON-SCREEN DISPLAY CONTROLLER

M50436-XXXSP INSTRUCTION CODE TABLE

Hexadecimal notation D <sub>3</sub> ~D <sub>0</sub>	D <sub>7</sub> ~D <sub>4</sub>	0000	0001	0010	0011	0100	0101	0110	0111	1000	1001	1010	1011	1100	1101	1110	1111
		0	1	2	3	4	5	6	7	8	9	A	B	C	D	E	F
0000	0	NOP	RB 0	LY 0	JMP	LA 0	AD 0	TMA	TAM	EI	RC	LDMI 0	CAL	LX 0	LC 0	SNEA 0	SEA 0
0001	1	DATA	RB 1	LY 1	JMP	LA 1	AD 1	XAM	DI	SC	LCMI 1	CAL	LX 1	LC 1	SNEA 1	SEA 1	
0010	2	MUT	RB 2	LY 2	JMP	LA 2	AD 2	TMAX	TAMX	TACM	CMC	LDMI 2	CAL	LX 2	LC 2	SNEA 2	SEA 2
0011	3	NMUT	RB 3	LY 3	JMP	LA 3	AD 3	TMAY	TAMY	ODA	ICD	LDMI 3	CAL	LX 3	LC 3	SNEA 3	SEA 3
0100	4	SZC SNZBO	SB 0	LY 4	JMP	LA 4	AD 4	INX	RAR	VDP 0	RT	LDMI 4	CAL	LX 4	LC 4	SNEA 4	SEA 4
0101	5	SNZC SZBO	SB 1	LY 5	JMP	LA 5	AD 5	INY	RAL	VDP 1	RTI	LDMI 5	CAL	LX 5	LC 5	SNEA 5	SEA 5
0110	6	SEV	SB 2	LY 6	JMP	LA 6	AD 6	PHXY	TAI	VDP 2	RTS	LDMI 6	CAL	LX 6	LC 6	SNEA 6	SEA 6
0111	7	SNEV	SB 3	LY 7	JMP	LA 7	AD 7	PLXY	CMA	*The second word	SKIP	LDMI 7	CAL	LX 7	LC 7	SNEA 7	SEA 7
1000	8	TC0A	SZB 0	LY 8	JMP	LA 8	AD 8	TYA	TAY	TCCA	TCMAI	LDMI 8	CAL	LX 8	LC 8	SNEA 8	SEA 8
1001	9	TC1A	SZB 1	LY 9	JMP	LA 9	AD 9	TXA	TAX	TAC	TCA	LDMI 9	CAL	LX 9	LC 9	SNEA 9	SEA 9
1010	A	TC2A	SZB 2	LY A	JMP	LA A	AD A	TBA	TAB	TAZ	TZA	LDMI A	CAL	LX A	LC A	SNEA A	SEA A
1011	B	TC3A	SZB 3	LY B	JMP	LA B	AD B	TIFA	TAIF	TAZZ	TZZA	LDMI B	CAL	LX B	LC B	SNEA B	SEA B
1100	C	OJA	SNZB 0	LY C	JMP	LA C	AD C	OFA	IAE	AM	TV1A	LDMI C	CAL	LX C	LC C	SNEA C	SEA C
1101	D	OKA	SNZB 1	LY D	JMP	LA D	AD D	OGA	IAG	AMC	TV2A	LDMI D	CAL	LX D	LC D	SNEA D	SEA D
1110	E	OLA	SNZB 2	LY E	JMP	LA E	AD E	OHA	TAHS	SNEAM	TV3A	LDMI E	CAL	LX E	LC E	SNEA E	SEA E
1111	F	—	SNZB 3	LY F	JMP	LA F	AD F	OMA	IAL	SEAM	THRA	LDMI F	CAL	LX F	LC F	SNEA F	SEA F

□ 2-word instruction

■ 3-word instruction

## SINGLE-CHIP 4-BIT CMOS MICROCOMPUTER for VOLTAGE SYNTHESIZER WITH ON-SCREEN DISPLAY CONTROLLER

Hexadecimal notation D <sub>3</sub> ~D <sub>0</sub>	D <sub>7</sub> ~D <sub>4</sub>						
	0000	0001	0010	0011	0100	0101	
0000	0	SU	OR	AND	TAR	TRA	—
0001	1	SU	OR	AND	—	—	—
0010	2	SU	OR	AND	SUM	—	—
0011	3	SU	OR	AND	SUMB	—	—
0100	4	SU	OR	AND	ORM	TLLA	—
0101	5	SU	OR	AND	ANDM	TLHA	—
0110	6	SU	OR	AND	TAEF	TEFA	—
0111	7	SU	OR	AND	TAEV	—	—
1000	8	SU	OR	AND	TAC0	—	—
1001	9	SU	OR	AND	TAC1	—	—
1010	A	SU	OR	AND	TAC2	—	—
1011	B	SU	OR	AND	TAC3	—	—
1100	C	SU	OR	AND	TACML	—	—
1101	D	SU	OR	AND	TACMH	—	—
1110	E	SU	OR	AND	—	—	—
1111	F	SU	OR	AND	—	—	—

Hexadecimal notation D <sub>3</sub> ~D <sub>0</sub>	D <sub>7</sub> ~D <sub>4</sub>							
	0000	0001	0010	0011	1000	1001	1010	1011
0000	0	JMPL	—	—	CALL	CALL	—	—
0001	1	JMPL	—	—	CALL	CALL	—	—
0010	2	JMPL	—	—	CALL	CALL	—	—
0011	3	JMPL	—	—	CALL	CALL	—	—
0100	4	JMPL	—	—	CALL	CALL	—	—
0101	5	JMPL	JMPL	—	CALL	CALL	—	—
0110	6	JMPL	JMPL	—	CALL	CALL	—	—
0111	7	JMPL	JMPL	—	CALL	CALL	—	—
1000	8	JMPL	—	—	CALL	CALL	—	—
1001	9	JMPL	—	—	CALL	CALL	—	—
1010	A	JMPL	—	—	CALL	CALL	—	—
1011	B	JMPL	—	—	CALL	CALL	—	—
1100	C	JMPL	—	—	CALL	CALL	—	—
1101	D	JMPL	—	—	CALL	CALL	—	—
1110	E	JMPL	—	—	CALL	CALL	—	—
1111	F	JMPL	—	—	CALL	CALL	—	—

## SINGLE-CHIP 4-BIT CMOS MICROCOMPUTER for VOLTAGE SYNTHESIZER with ON-SCREEN DISPLAY CONTROLLER

### SYMBOLS

The following notation are used for the following descriptions.

Symbol	Contents	Symbol	Contents
A	Register A(4 bits)	INTE	Interrupt enable flag
B	Register B(4 bits)	INTF	Interrupt request flip-flop
C	Register C(4 bits)	ED/ID	ED/ID flag
CC	Register CC(4 bits)	ELL	The lower 4 bits of event latch
CO <sub>0</sub>	Color register(3 bits)	ELH	The upper 4 bits of event latch
CO <sub>1</sub>	Color register(3 bits)	EVC	Event counter control register
CO <sub>2</sub>	Color register(3 bits)	EVF	Event flip-flop
CO <sub>3</sub>	Color register(3 bits)	MUTF	Mute flag
I	Register I(3 bits)	Λ	AND
R	Register R(3 bits)	V	OR
D-AL	D-A latch(14 bits)	M(DP)	RAM address which is specified by data pointer
X	Register X(4 bits)	—	Direction in which data is transferred
Y	Register Y(4 bits)	( )	The contents of register, memory, etc.
Z	Register Z(4 bits)	x	1-bit binary variable
ZZ	Register ZZ(2 bits)	n <sub>1</sub> n <sub>0</sub>	2-bit binary variable
DP	Data pointer (8 bits) (consisting of the registers X and Y)	i <sub>1</sub> i <sub>0</sub>	2-bit binary variable
PC	Program counter(13 bits)	x <sub>3</sub> x <sub>2</sub> x <sub>1</sub> x <sub>0</sub>	4-bit binary variable
SK	Stack register(13 bits)	y <sub>3</sub> y <sub>2</sub> y <sub>1</sub> y <sub>0</sub>	4-bit binary variable
SKX	Stack register X(4 bits)	n <sub>3</sub> n <sub>2</sub> n <sub>1</sub> n <sub>0</sub>	4-bit binary variable
SKY	Stack register Y(4 bits)	a	Label to show the address of a <sub>11</sub> a <sub>10</sub> a <sub>9</sub> a <sub>8</sub> a <sub>7</sub> a <sub>6</sub> a <sub>5</sub> a <sub>4</sub> a <sub>3</sub> a <sub>2</sub> a <sub>1</sub> a <sub>0</sub>
CY	Carry flag(1 bit)	—	Negation or condition of the flag is not change after the instruction is executed
D	Port D(1 bit)		
E	Port E(4 bits)		
F	Port F(4 bits)		
G	Port G(4 bits)		
H	Port H(4 bits)		
J	Port J(4 bits)		
K	Port K(4 bits)		
L	Port L(4 bits)		
M	Port M(3 bits)		

Note 1: The M50436-XXXSP performs a skip by ignoring the next instruction, and by not executing the instruction at the address pointed to by the contents of the program counter + 2.

Therefore, the cycle number does not change, regardless of whether a skip is generated or not.

**SINGLE-CHIP 4-BIT CMOS MICROCOMPUTER for VOLTAGE SYNTHESIZER**  
with ON-SCREEN DISPLAY CONTROLLER

**MACHINE INSTRUCTIONS**

Parameter Type of instruction	Mnemonic	Instruction code								Hexadecimal notation		Number of words	Number of cycles	Functions
		D <sub>7</sub>	D <sub>6</sub>	D <sub>5</sub>	D <sub>4</sub>	D <sub>3</sub>	D <sub>2</sub>	D <sub>1</sub>	D <sub>0</sub>					
Register to register transfers	TAB	0	1	1	1	1	0	1	0	7	A	1	1	(A)←(B)
	TBA	0	1	1	0	1	0	1	0	6	A	1	1	(B)←(A)
	TAC	1	0	0	0	1	0	0	1	8	9	1	1	(A)←(C)
	TCA	1	0	0	1	1	0	0	1	9	9	1	1	(C)←(A)
	TAX	0	1	1	1	1	0	0	1	7	9	1	1	(A)←(X)
	TXA	0	1	1	0	1	0	0	1	6	9	1	1	(X)←(A)
	TAY	0	1	1	1	1	0	0	0	7	8	1	1	(A)←(Y)
	TYA	0	1	1	0	1	0	0	0	6	8	1	1	(Y)←(A)
	TAR	1	0	0	0	0	1	1	1	8	7	2	2	(A <sub>3</sub> , A <sub>2</sub> , A <sub>1</sub> , A <sub>0</sub> )←(R <sub>2</sub> , R <sub>1</sub> , R <sub>0</sub> )
		0	0	1	1	0	0	0	0	3	0			
	TRA	1	0	0	0	0	1	1	1	8	7	2	2	(R <sub>2</sub> , R <sub>1</sub> , R <sub>0</sub> )←(A <sub>2</sub> , A <sub>1</sub> , A <sub>0</sub> )
		0	1	0	0	0	0	0	0	4	0			
	TACM	1	0	0	0	0	0	1	0	8	2	2	2	(A <sub>3</sub> , A <sub>2</sub> , A <sub>1</sub> , A <sub>0</sub> )←(0, 0, A/D, COMP)
		0	0	0	0	0	0	0	0	0	0			
	TAHS	0	1	1	1	1	1	1	0	7	E	1	1	(A)←(HS)
TAI	0	1	1	1	0	1	1	0	7	6	1	1	(A <sub>3</sub> , A <sub>2</sub> , A <sub>1</sub> , A <sub>0</sub> )←(0, INT, BIT, GP)	
TAIF	0	1	1	1	1	0	1	1	7	B	1	1	(A <sub>3</sub> , A <sub>2</sub> , A <sub>1</sub> , A <sub>0</sub> )←(INTF, EDF, ED <sub>1</sub> , ED <sub>0</sub> )	
TIFA	0	1	1	0	1	0	1	1	6	B	1	1	(ED <sub>1</sub> , ED <sub>0</sub> )←(A <sub>1</sub> , A <sub>0</sub> )	
Register control operations	LX x	1	1	0	0	x <sub>3</sub>	x <sub>2</sub>	x <sub>1</sub>	x <sub>0</sub> <td>C</td> <td>x</td> <td>1</td> <td>1</td> <td>(X)←x, where x=0~15</td>	C	x	1	1	(X)←x, where x=0~15
	LY y	0	0	1	0	y <sub>3</sub>	y <sub>2</sub>	y <sub>1</sub>	y <sub>0</sub> <td>2</td> <td>y</td> <td>1</td> <td>1</td> <td>(Y)←y, where y=0~15</td>	2	y	1	1	(Y)←y, where y=0~15
	LC n	1	1	0	1	n <sub>3</sub>	n <sub>2</sub>	n <sub>1</sub>	n <sub>0</sub> <td>D</td> <td>n</td> <td>1</td> <td>1</td> <td>(C)←n, where n=0~15</td>	D	n	1	1	(C)←n, where n=0~15
	INY	0	1	1	0	0	1	0	1	6	5	1	1	(Y)←(Y)+1
	INX	0	1	1	0	0	1	0	0	6	4	1	1	(X)←(X)+1
	PHXY	0	1	1	0	0	1	1	0	6	6	1	1	(SKY)←(X), (SKY)←(Y)
	PLXY	0	1	1	0	0	1	1	1	6	7	1	1	(X)←(SKX), (Y)←(SKY)



**MITSUBISHI MICROCOMPUTERS**  
**M50436-XXXSP**

**SINGLE-CHIP 4-BIT CMOS MICROCOMPUTER for VOLTAGE SYNTHESIZER**  
**with ON-SCREEN DISPLAY CONTROLLER**

Skip conditions	Carry flag	Detailed description
—	—	The contents of register B are transferred to register A.
—	—	The contents of register A are transferred to register B.
—	—	The contents of register C are transferred to register A.
—	—	The contents of register A are transferred to register C.
—	—	The contents of register X are transferred to register A.
—	—	The contents of register A are transferred to register X.
—	—	The contents of register Y are transferred to register A.
—	—	The contents of register A are transferred to register Y.
—	—	The contents of register R are transferred to register A.
—	—	The contents of register A are transferred to register R.
—	—	The result of comparison (COMP) and the value of A-D pin (A/D) are transferred to register A.
—	—	The contents of HS counter are transferred to register A.
—	—	The result of judging Interrupt are transferred to register A.
—	—	The contents of IF flag are transferred to register A.
—	—	The contents of register A are transferred to IF flag.
continuous description	—	The immediate field value x is loaded into register X. If a continuous description of LX instructions are written and are being executed, only the first LX instruction is executed, the following LX instructions are all skipped.
continuous description	—	The immediate field value y is loaded into register Y. If a continuous description of LY instructions are written and are being executed, only the first LY instruction is executed, the following LY instructions are all skipped.
continuous description	—	The immediate field value n is loaded into register C. If a continuous description of LC instructions are written and are being executed, only the first LC instruction is executed, the following LC instructions are all skipped.
—	—	The contents of register X are incremented by 1.
—	—	The contents of register Y are incremented by 1. As a result if the contents of register Y are "0", the next instruction is skipped.
—	—	The contents of data pointer (register X and register Y) are transferred to stack X and stack Y.
—	—	The contents of stack X and stack Y are transferred to data pointer.

SINGLE-CHIP 4-BIT CMOS MICROCOMPUTER for VOLTAGE SYNTHESIZER  
with ON-SCREEN DISPLAY CONTROLLER

Parameter Type of Instructions	Mnemonic	Instruction code								Hexadecimal notation	Number of words	Number of cycles	Functions	
		D <sub>7</sub>	D <sub>6</sub>	D <sub>5</sub>	D <sub>4</sub>	D <sub>3</sub>	D <sub>2</sub>	D <sub>1</sub>	D <sub>0</sub>					
RAM addresses	TAM	0	1	1	1	0	0	0	0	7	0	1	1	(A) ← (M(DP))
	TAMX	0	1	1	1	0	0	1	0	7	2	1	1	(B) ← (M(DP)), (X) ← (X) + 1
	TAMY	0	1	1	1	0	0	1	1	7	3	1	1	(A) ← (M(DP)), (Y) ← (Y) + 1
	TMA	0	1	1	0	0	0	0	0	6	0	1	1	(M(DP)) ← (A)
	TMAX	0	1	1	0	0	0	1	0	6	2	1	1	(M(DP)) ← (A), (X) ← (X) + 1
	TXAY	0	1	1	0	0	0	1	1	6	3	1	1	(M(DP)) ← (A), (Y) ← (Y) + 1
	XAM	0	1	1	1	0	0	0	1	7	1	1	1	(A) ↔ (M(DP))
Arithmetic operations	AM	1	0	0	0	1	1	0	0	8	C	1	1	(A) ← (A) + (M(DP)), (CY) ← carry
	AMC	1	0	0	0	1	1	0	1	8	D	1	1	(A) ← (A) + (M(DP)) + (CY), (CY) ← carry
	SUM	1	0	0	0	0	1	1	1	8	7	2	2	(A) ← (A) + (M(DP)), (C) ← borrow
	SUMB	0	0	1	1	0	0	1	0	3	2	2	2	(A) ← (A) - (M(DP)), (C) ← borrow
	SUMB	1	0	0	0	0	1	1	1	8	7	2	2	(A) ← (A) - (M(DP)) - (borrow)
	SUMB	0	0	1	1	0	0	1	1	3	3	2	2	(CY) ← borrow
	ANDM	1	0	0	0	0	1	1	1	8	7	2	2	(A) ← (A) ∧ (M(DP))
	ANDM	0	0	1	1	0	1	0	1	3	5	2	2	(A) ← (A) ∧ n
	ORM	1	0	0	0	0	1	1	1	8	7	2	2	(A) ← (A) ∨ (M(DP))
	ORM	0	0	1	1	0	1	0	0	3	4	2	2	(A) ← (A) ∨ n
	LA n	0	1	0	0	n <sub>3</sub>	n <sub>2</sub>	n <sub>1</sub>	n <sub>0</sub>	4	n	1	1	(A) ← n, where n = 0 ~ 15
	AD n	0	1	0	1	n <sub>3</sub>	n <sub>2</sub>	n <sub>1</sub>	n <sub>0</sub>	5	n	1	1	(A) ← (A) + n, where n = 0 ~ 15, (CY) ← carry
	AND n	1	0	0	0	0	1	1	1	8	7	2	2	(A) ← (A) ∧ n, where n = 0 ~ 15
	AND n	0	0	1	0	n <sub>3</sub>	n <sub>2</sub>	n <sub>1</sub>	n <sub>0</sub>	2	n	2	2	(A) ← (A) ∧ n, where n = 0 ~ 15
	OR n	1	0	0	0	0	1	1	1	8	7	2	2	(A) ← (A) ∨ n, where n = 0 ~ 15
OR n	0	0	0	1	n <sub>3</sub>	n <sub>2</sub>	n <sub>1</sub>	n <sub>0</sub>	1	n	2	2	(A) ← (A) ∨ n, where n = 0 ~ 15	
SU n	1	0	0	0	0	1	1	1	8	7	2	2	(A) ← (A) - n, where n = 0 ~ 15, (CY) ← borrow	
SU n	0	0	0	0	n <sub>3</sub>	n <sub>2</sub>	n <sub>1</sub>	n <sub>0</sub>	0	n	2	2	(CY) ← borrow	
CMA	0	1	1	1	0	1	1	1	7	7	1	1	(A) ← (A)	
RAL	0	1	1	1	0	1	0	1	7	5	1	1		
RAR	0	1	1	1	0	1	0	0	7	4	1	1		
SC	1	0	0	1	0	0	0	1	9	1	1	1	(CY) ← 1	
RC	1	0	0	1	0	0	0	0	9	0	1	1	(CY) ← 0	

**SINGLE-CHIP 4-BIT CMOS MICROCOMPUTER for VOLTAGE SYNTHESIZER**  
**with ON-SCREEN DISPLAY CONTROLLER**

Skip conditions	Carry flag	Detailed description
—	—	The contents of M(DP) are transferred to register A.
—	—	The contents of M(DP) are transferred to register A, and the contents of register X are incremented by 1.
—	—	The contents of register A are transferred to M(DP). And if the contents of register Y are incremented by 1 and the result is "0", then the next instruction is skipped.
—	—	The contents of register A are transferred to M(DP).
—	—	The contents of register A are transferred to M(DP), and the contents of register X are incremented by 1.
—	—	The contents of register A are transferred to M(DP). And if the contents of register Y are incremented by 1 and the result is "0", then the next instruction is skipped.
—	—	The contents of M(DP) are exchanged with register A.
—	—	The contents of M(DP) are added to register A, and the result is stored into register A and in the carry flag CY.
—	—	The contents of M(DP) and carry flag CY are added to register A and the result is stored into register A and into carry flag CY.
—	—	The contents of M(DP) are subtract from register A, and the result is stored into register A and in the carry flag CY.
—	—	The contents of M(DP) and borrow are subtract from register A, and the result is stored into register A and in the carry flag CY.
—	—	A logical AND is performed between the contents of register A and the contents of M(DP), and the result is stored into register A.
—	—	A logical OR is performed between the contents of register A and the contents of M(DP), and the result is stored into register A.
—	—	The immediate field value n is loaded into register A. If a continuous description of LA instructions are written and being executed, only the first LA instruction is executed, the following LA instructions are all skipped.
—	—	The immediate field value n is added to register A, and the result is stored into register A and in the carry flag CY.
—	—	A logical AND is performed between the contents of register A and the immediate field value n, and the result is stored into register A.
—	—	A logical OR is performed between the contents of register A and the immediate field value n, and the result is stored into register A.
—	—	The immediate field value n is subtract from register A, and the result is stored into register A and in the carry flag CY.
—	—	The one's complement of register A's contents are stored into register A.
—	A <sub>3</sub>	The register A, including carry flag CY, is rotated 1 bit to the left.
—	A <sub>0</sub>	The register A, including carry flag CY, is rotated 1 bit to the right.
—	1	The carry flag CY is set (1).
—	0	The carry flag CY is reset (0).

**SINGLE-CHIP 4-BIT CMOS MICROCOMPUTER for VOLTAGE SYNTHESIZER with ON-SCREEN DISPLAY CONTROLLER**

Parameter Type of instructions	Mnemonic	Instruction code								Hexadecimal notation		Number of words	Number of cycles	Functions
		D <sub>7</sub>	D <sub>6</sub>	D <sub>5</sub>	D <sub>4</sub>	D <sub>3</sub>	D <sub>2</sub>	D <sub>1</sub>	D <sub>0</sub>					
Arithmetic operations	CMC	1	0	0	1	0	0	1	0	9	2	1	1	(CY) ← (CY)
	SZC	1	0	0	0	0	1	0	0	0	4	1	1	(CY) ← 0?
	SNZBO													
	SNZC	0	0	0	0	0	1	0	1	0	5	1	1	(CY) ≠ 0?
	SZBO													
Bit operations	SB j	0	0	0	1	0	1	j <sub>1</sub>	j <sub>0</sub>	1	4 + j	1	1	(Mj(DP)) ← 1, where j = 0 ~ 3
	RB j	0	0	0	1	0	0	j <sub>1</sub>	j <sub>0</sub>	1	j	1	1	(Mj(DP)) ← 0, where j = 0 ~ 3
	SZB j	0	0	0	1	1	0	j <sub>1</sub>	j <sub>0</sub>	1	8 + j	1	1	(Mj(DP)) ← 0?, where j = 0 ~ 3
	SNZB j	0	0	0	1	1	1	j <sub>1</sub>	j <sub>0</sub>	1	C + j	1	1	(Mj(DP)) ← 1?, where j = 0 ~ 3
Comparisons	SEA n	1	1	1	1	n <sub>3</sub>	n <sub>2</sub>	n <sub>1</sub>	n <sub>0</sub>	F	n	1	1	(A) = n?, where n = 0 ~ 15
	SNEA n	1	1	1	0	n <sub>3</sub>	n <sub>2</sub>	n <sub>1</sub>	n <sub>0</sub>	E	n	1	1	(A) ≠ n?, where n = 0 ~ 15
	SEAM	1	0	0	0	1	1	1	1	8	F	1	1	(A) = (M(DP))?
	SNEAM	1	0	0	0	1	1	1	0	8	E	1	1	(A) ≠ (M(DP))?
Interrupt operations	DI	1	0	0	0	0	0	0	1	8	1	1	1	(EI/DI) ← 0
	EI	1	0	0	0	0	0	0	0	8	0	1	1	(EI/DI) ← 1
Event counter control operations	TAEV	1	0	0	0	0	1	1	1	8	7	2	2	(A <sub>3</sub> , A <sub>2</sub> , A <sub>1</sub> , A <sub>0</sub> ) ← (0, 0, 0, EVF)
	TAEF	1	0	0	0	0	1	1	1	8	7	2	2	(A <sub>3</sub> , A <sub>2</sub> , A <sub>1</sub> , A <sub>0</sub> ) ← (0, 0, EVC <sub>1</sub> , EVC <sub>0</sub> )
	TEFA	1	0	0	0	0	1	1	1	8	7	2	2	(EVC <sub>F</sub> , EVC <sub>1</sub> , EVC <sub>0</sub> ) ← (A <sub>2</sub> , A <sub>1</sub> , A <sub>0</sub> )
	TLLA	1	0	0	0	0	1	1	1	8	7	2	2	(ELL) ← (A)
	TLHA	1	0	0	0	0	1	1	1	8	7	2	2	(ELH) ← (A)
	SEV	0	0	0	0	0	1	1	0	0	6	1	1	(EVF) = 1?
	SNEV	0	0	0	0	0	1	1	1	0	7	1	1	(EVF) = 0?

**SINGLE-CHIP 4-BIT CMOS MICROCOMPUTER for VOLTAGE SYNTHESIZER  
with ON-SCREEN DISPLAY CONTROLLER**

Skip conditions	Carry flag	Detailed description
$(\overline{CY})$ $(CY) = 0$ $(CY) \neq 0$	— — —	The one's complement of carry flag CY's contents are stored into carry flag CY. If the contents of carry flag CY are "0", the next instruction is skipped. If the contents of carry flag CY are "1", the next instruction is skipped.
— — — —	— — — —	The j-th bit of the contents of M(DP), which is the bit specified by the immediate field value j, is set to 1. The j-th bit of the contents of M(DP), which is the bit specified by the immediate field value j, is reset to 0. If the j-th bit of the contents of M(DP), which is the bit specified by the immediate field value j, is "0", the next instruction is skipped. If the j-th bit of the contents of M(DP), which is the bit specified by the immediate field value j, is "1", the next instruction is skipped.
$(A) = n$ $(A) \neq n$ $(A) = (M(DP))$ $(A) \neq (M(DP))$	— — — —	If the contents of register A are equal to the immediate field value n, the next instruction is skipped. If the contents of register A are not equal to the immediate field value n, the next instruction is skipped. If the contents of register A are equal to the contents of M(DP), the next instruction is skipped. If the contents of register A are not equal to the contents of M(DP), the next instruction is skipped.
— —	— —	The EI/DI flag is reset (0) to change the state in which an interrupt is disabled. The EI/DI flag is set (1) to change the state in which an interrupt is enabled.
— — — — — $(EVF) = 1$ $(EVF) = 0$	— — — — — — —	The contents of event flip-flop are transferred to register A and the flip-flop is reset (0). The contents of event control register are transferred to the lower 2 bits of register A. The lower 3 bits of register A are transferred to the event control register. The contents of register A are transferred to the lower 4 bits of event latch. The contents of register A are transferred to the upper 4 bits of event latch. If the contents of event flip-flop are "1", the next instruction is skipped and the flip-flop is reset (0). If the contents of event flip-flop are "0", the next instruction is skipped and the flip-flop is reset (0).

**SINGLE-CHIP 4-BIT CMOS MICROCOMPUTER for VOLTAGE SYNTHESIZER**  
**with ON-SCREEN DISPLAY CONTROLLER**

Parameter Type of Instruction	Mnemonic	Instruction code								Hexadecimal notation		Number of words	Number of cycles	Functions
		D <sub>7</sub>	D <sub>6</sub>	D <sub>5</sub>	D <sub>4</sub>	D <sub>3</sub>	D <sub>2</sub>	D <sub>1</sub>	D <sub>0</sub>					
Input/Output operations	ODA	1	0	0	0	0	0	1	1	8	3	1	1	(D)←(A <sub>3</sub> )
	OFA	0	1	1	0	1	1	0	0	6	C	1	1	(F)←(A)
	OGA	0	1	1	0	1	1	0	1	6	D	1	1	(G)←(A)
	OHA	0	1	1	0	1	1	1	0	6	E	1	1	(H)←(A)
	OJA	0	0	0	0	1	1	0	0	0	C	1	1	(J)←(A)
	OKA	0	0	0	0	1	1	0	1	0	D	1	1	(K)←(A)
	OLA	0	0	0	0	1	1	1	0	0	E	1	1	(L)←(A)
	OMA	0	1	1	0	1	1	1	1	6	F	1	1	(M)←(A <sub>2</sub> , A <sub>1</sub> , A <sub>0</sub> )
	IAE	0	1	1	1	1	1	0	0	7	C	1	1	(A)←(E)
	IAG	0	1	1	1	1	1	0	1	7	D	1	1	(A)←(G)
	IAL	0	1	1	1	1	1	1	1	7	F	1	1	(A)←(L)
	ICD	1	0	0	1	0	0	1	1	9	3	1	1	(CY)←(D)
D-A converter control operations	VDP n	1	0	0	0	0	1	n <sub>1</sub>	n <sub>0</sub>	8	4 + n	1	1	(VDPn)←(B <sub>2</sub> , B <sub>1</sub> , B <sub>0</sub> , A <sub>3</sub> , A <sub>2</sub> , A <sub>1</sub> , A <sub>0</sub> ) where n = 0 ~ 2
	DATA	0	0	0	0	0	0	0	1	0	1	1	1	(D-A L)←(M(0, 3)~M(0, 0))
	MUT	0	0	0	0	0	0	1	0	0	2	1	1	(MUTF)←1
	NMUT	0	0	0	0	0	0	1	1	0	3	1	1	(MUTF)←0
Jump and subroutine call operations	JMP a	0	0	1	1	a <sub>3</sub>	a <sub>2</sub>	a <sub>1</sub>	a <sub>0</sub>	3	a	2	2	(PC)←a <sub>1</sub> ~a <sub>0</sub>
	CAL a	1	0	1	1	a <sub>3</sub>	a <sub>2</sub>	a <sub>1</sub>	a <sub>0</sub>	B	a	2	2	(SK)←(PC <sub>next</sub> ) (PC)←a <sub>1</sub> ~a <sub>0</sub>
	JMPL aa	0	1	1	0	0	0	0	1	6	1	3	3	(PC)←a <sub>12</sub> ~a <sub>0</sub>
	CALL aa	0	1	1	0	0	0	0	1	6	1	3	3	(SK)←(PC <sub>next</sub> ) (PC)←a <sub>12</sub> ~a <sub>0</sub>
	RT	1	0	0	1	0	1	0	0	9	4	1	1	(PC)←(SK)
	RTI	1	0	0	1	7	1	0	1	9	5	1	1	(PC)←(SK), (SKIP)←(SKS)
	RTS a	1	0	0	1	0	1	1	0	9	6	1	1	(PC)←(SK), (SKIP)←1
	SKIP	1	0	0	1	0	1	1	1	9	7	1	1	(SKIP)←1
	NOP	1	0	0	1	0	1	1	1	0	0	1	1	(PC)←(PC)+1

**SINGLE-CHIP 4-BIT CMOS MICROCOMPUTER for VOLTAGE SYNTHESIZER**  
**with ON-SCREEN DISPLAY CONTROLLER**

Skip conditions	Carry flag	Detailed description
—	—	The most significant bit of register A is output to the port D.
—	—	The contents of register A are output to the port F.
—	—	The contents of register A are output to the port G.
—	—	The contents of register A are output to the port H.
—	—	The contents of register A are output to the port J.
—	—	The contents of register A are output to the port K.
—	—	The contents of register A are output to the port L.
—	—	The lower 3 bits of register A are output to the port M.
—	—	The input from the port E are transferred to register A.
—	—	The input from the port G are transferred to register A.
—	—	The input from the port L are transferred to register A.
—	—	The input from the port D are transferred to carry flag CY.
—	—	The 7-bit D-A data (the lower 3 bits of register B and register A) are transferred to VDF latch.
—	—	The 15-bit D-A data (M(0,0), M(0,1), M(0,2), and except for the upper 1 bit of M(0,3)) are transferred to the D-A latch.
—	—	The MUTE flag is set (1). The VDF port becomes "L" level.
—	—	The MUTE flag is set (0). Mute state is canceled.
—	—	Jump to an address which is specified by $a_{11}\sim a_0$ unconditionally.
—	—	The return address is stored into stack register, and jump to an address which is specified by $a_{11}\sim a_0$ unconditionally.
—	—	Jump to an address which is specified by $a_{12}\sim a_0$ unconditionally.
—	—	The return address is stored into stack register, and jump to an address which is specified by $a_{12}\sim a_0$ unconditionally.
—	—	Control is then returned from the subroutine to the routine which is called the subroutine.
(SKS) = 1	—	Control is then returned from the interrupt handling routine to the main routine.
unconditional skip	—	Control is then returned from the subroutine to the routine which is called the subroutine, and the next instruction is unconditionally skipped.
unconditional skip	—	The next instruction is skipped after the skip flag is set to "1".
—	—	No operation.

SINGLE-CHIP 4-BIT CMOS MICROCOMPUTER for VOLTAGE SYNTHESIZER  
with ON-SCREEN DISPLAY CONTROLLER

Parameter Type of instructions	Mnemonic	Instruction code									Number of words	Number of cycles	Functions	
		D <sub>7</sub>	D <sub>6</sub>	D <sub>5</sub>	D <sub>4</sub>	D <sub>3</sub>	D <sub>2</sub>	D <sub>1</sub>	D <sub>0</sub>	Hexadecimal notation				
Display control operation	TCCA	1	0	0	0	1	0	0	0	B	8	1	1	(C) $\leftarrow$ (A)
	TAZ	1	0	0	0	1	0	1	0	8	A	1	1	(A) $\leftarrow$ (Z)
	TZA	1	0	0	1	1	0	1	0	9	A	1	1	(Z) $\leftarrow$ (A)
	TAZZ	1	0	0	0	1	0	1	1	8	B	1	1	(A <sub>3</sub> , A <sub>2</sub> , A <sub>1</sub> , A <sub>0</sub> ) $\leftarrow$ (0, 0, ZZ <sub>1</sub> , ZZ <sub>0</sub> )
	TZZA	1	0	0	1	1	0	1	1	9	B	1	1	(ZZ <sub>1</sub> , ZZ <sub>0</sub> ) $\leftarrow$ (A <sub>1</sub> , A <sub>0</sub> )
	TCnA	0	0	0	0	1	0	0	0	0	8 + n	1	1	(Cn <sub>2</sub> , Cn <sub>1</sub> , Cn <sub>0</sub> ) $\leftarrow$ (A <sub>2</sub> , A <sub>1</sub> , A <sub>0</sub> ) where n=0~3
	TAG n	1 0	0 0	0 1	0 1	0 1	1 0	1 n <sub>1</sub>	1 n <sub>0</sub>	8 3	7 B + n	2	2	(A <sub>3</sub> , A <sub>2</sub> , A <sub>1</sub> , A <sub>0</sub> ) $\leftarrow$ (0, Cn <sub>2</sub> , Cn <sub>1</sub> , Cn <sub>0</sub> ) where n=0~3
	TVnA	1	0	0	1	1	1	m <sub>1</sub>	m <sub>0</sub>	9	C + m	1	1	(SZ <sub>1</sub> , SZ <sub>0</sub> , Vn <sub>6</sub> , Vn <sub>4</sub> , Vn <sub>3</sub> , Vn <sub>2</sub> , Vn <sub>1</sub> , Vn <sub>0</sub> ) $\leftarrow$ (C <sub>3</sub> , C <sub>2</sub> , C <sub>1</sub> , C <sub>0</sub> , A <sub>3</sub> , A <sub>2</sub> , A <sub>1</sub> , A <sub>0</sub> ) m=(n-1) <sub>i</sub> , where n=0~2
	THRA	1	0	0	1	1	1	1	1	9	F	1	1	(H <sub>3</sub> , H <sub>4</sub> , H <sub>3</sub> , H <sub>2</sub> , H <sub>1</sub> , H <sub>0</sub> ) $\leftarrow$ (C <sub>1</sub> , C <sub>0</sub> , A <sub>3</sub> , A <sub>2</sub> , A <sub>1</sub> , A <sub>0</sub> )
	LQMI n	1	0	1	0	n <sub>3</sub>	n <sub>2</sub>	n <sub>1</sub>	n <sub>0</sub>	A	n	1	1	(CM(ZZ, Z)) $\leftarrow$ (C), n, (Z) $\leftarrow$ (Z)+1
	TCMAI	1	0	0	1	1	0	0	0	9	8	1	1	(CM(ZZ,Z)) $\leftarrow$ (C),(A), (z) $\leftarrow$ (Z)+1
	TACML	1 0	0 0	0 1	0 1	0 1	1 1	0 0	0	8 3	7 C	2	2	(A) $\leftarrow$ (CM(ZZ, Z)) <sub>3~0</sub>
TACMH	1 0	0 0	0 1	0 1	0 1	1 1	1 0	1	8 3	7 D	2	2	(A) $\leftarrow$ (CM(ZZ, Z)) <sub>7~4</sub>	



**SINGLE-CHIP 4-BIT CMOS MICROCOMPUTER for VOLTAGE SYNTHESIZER**  
**with ON-SCREEN DISPLAY CONTROLLER**

Skip conditions	Carry flag	Detailed description
—	—	The contents of register A are transferred to register CC.
—	—	The contents of pointer register Z for CRTRAM are transferred to register A.
—	—	The contents of register A are transferred to the pointer register Z for CRTRAM.
—	—	The contents of selector register ZZ for CRTRAM are transferred to register A.
—	—	The contents of register A are transferred to the selector register ZZ for CRTRAM.
—	—	The contents of register A are transferred to the color register Cn.
—	—	The contents of color register Cn are transferred to register A.
—	—	The contents of register A and register C are transferred to the character size register SZn and the vertical location register Vn.
—	—	The contents of the lower 2 bits of register C and register A are transferred to register HR.
—	—	After the Immediate field value n and the contents of register C are transferred to M(Z), the contents of register Z are incremented by 1.
—	—	The contents of registers A and C are transferred to M(Z), the contents of register Z are incremented by 1.
—	—	The lower 4 bits of CRTRAM are transferred to register A.
—	—	The upper 4 bits of CRTRAM are transferred to register A.

**SINGLE-CHIP 4-BIT CMOS MICROCOMPUTER for VOLTAGE SYNTHESIZER WITH ON-SCREEN DISPLAY CONTROLLER**

**ABSOLUTE MAXIMUM RATINGS** ( $T_a=25^{\circ}\text{C}$ , except the limits of temperature)

Symbol	Parameter	Test conditions	Rating	Unit
$V_{DD}$	Supply voltage		-0.3~6	V
$V_I$	Input voltage Ports $E_0\sim E_3, G_0\sim G_3, L_0\sim L_3$ HSYNC, VSYNC, INT, RESET	With respect to $V_{SS}$	-0.3~ $V_{DD}+0.3$	V
$V_O$	Output voltage		-0.3~ $V_{DD}+0.3$	V
$V_O$	Output voltage $VDP_0\sim VDP_2$ , Ports $M_0\sim M_2, H_0\sim H_3$ $K_0\sim K_3$	With respect to $V_{SS}$ Output transistors cut-off	-0.3~13	V
$ I_{OH} $	Current in circuit		0~1 (Note 1)	mA
$I_{OL}$	Current in circuit		0~2 (Note 2)	mA
$I_{OL}$	Current in circuit Port $H_0\sim H_3$		0~10 (Note 3)	mA
$P_D$	Power dissipation	$T_a=25^{\circ}\text{C}$	600	mW
$T_{opr}$	Operating temperature		-10~70	$^{\circ}\text{C}$
$T_{stg}$	Storage temperature		-40~125	$^{\circ}\text{C}$

- Note 1 : The total amount current flowing out of the IC must not exceed 15mA.  
 2 : The total amount current flowing into the IC must not exceed 20mA except port H.  
 3 : The total amount of port H current flowing into the IC must not exceed 40mA.

**RECOMMENDED OPERATING CONDITIONS** ( $T_a=-10\sim 70^{\circ}\text{C}$ ,  $V_{DD}=5\text{V}\pm 10\%$ , unless otherwise noted)

Symbol	Parameter	Limits			Unit
		Min	Nom	Max	
$V_{DD}$	Supply voltage	4.5	5	5.5	V
$V_{SS}$	Supply voltage		0		V
$V_{IH}$	"H" input voltage Ports $E_0\sim E_3, D, \overline{\text{INT}}, L_2\sim L_3$ $G_0\sim G_3, \text{HSYNC}, \text{VSYNC}$	0.7 $V_{DD}$	$V_{DD}$	$V_{DD}$	V
$V_{IH}$	"H" input voltage Ports $L_0, L_1$	0.8 $V_{DD}$	$V_{DD}$	$V_{DD}$	V
$V_{IH}$	"H" input voltage RESET	0.9 $V_{DD}$	$V_{DD}$	$V_{DD}$	V
$V_{IL}$	"L" input voltage Ports $E_0\sim E_3, D, \overline{\text{INT}}, L_2\sim L_3$ $G_0\sim G_3, \text{HSYNC}, \text{VSYNC}, \text{RESET}$	0		0.3 $V_{DD}$	V
$V_{IL}$	"L" input voltage Ports $L_0, L_1$	0	0	0.2 $V_{DD}$	V
$I_O$	"H" output current Port $H_0\sim H_3$	0		12	V
$I_O$	"L" output current Port $H_0\sim H_3$			10	mA
$f_{CPU}$	Clock oscillating frequency (in CPU section) (Note 4)	3.6	4	4.4	MHz
$f_{CRT}$	Clock oscillating frequency (in CRT section)	4	5	6	MHz

Note 4 : Use a quartz crystal oscillator or a ceramic resonator for the CPU oscillating circuit.

**ELECTRICAL CHARACTERISTICS** ( $T_a=-10\sim 70^{\circ}\text{C}$ ,  $V_{DD}=5\text{V}\pm 10\%$ ,  $f_{CPU}=4\text{MHz}$ , unless otherwise noted)

Symbol	Parameter	Test conditions	Limits			Unit
			Min	Typ	Max	
$V_{DD}$	Supply voltage	$f_{CPU}=4\text{MHz}$	4.5	5	5.5	V
$I_{DD}$	Supply current	$V_{DD}=5.5\text{V}$ $f_{CPU}=4\text{MHz}$ at display off		1.5	6	mA
$I_{DD}$	Supply current	$V_{DD}=5.5\text{V}$ $f_{CPU}=4\text{MHz}$ $f_{CRT}=5\text{MHz}$ at display on		4	15	mA
$I_{OH}$	"H" output current Ports $F_0\sim F_3, J_0\sim J_3, D, R, G, B$ OUT, D-A	$V_{DD}=4.5\text{V}$ $V_{OH}=2.4\text{V}$	-0.5			mA
$I_{OL}$	"L" output current D-A, D. Ports $M_0\sim M_2, VDP_0\sim VDP_2$ $F_0\sim F_3, J_0\sim J_3, K_0\sim K_3, \text{OUT}$	$V_{DD}=4.5\text{V}$ $V_{OL}=0.4\text{V}$	0.5			mA
$I_{OL}$	"L" output current Ports $G_0\sim G_3, L_0\sim L_3$	$V_{DD}=4.5\text{V}$ $V_{OL}=0.4\text{V}$	1			mA
$I_{OL}$	"L" output current R, G, B	$V_{DD}=4.5\text{V}$ $V_{OL}=0.4\text{V}$	1			mA
$I_{OL}$	"L" output current Port $H_0\sim H_3$	$V_{DD}=4.5\text{V}$ $V_{OL}=3\text{V}$	10			mA
$V_{T+}\sim V_{T-}$	Hysteresis Ports $L_0, L_1$	$V_{DD}=5\text{V}$ at using $\delta 5$ counter input	0.5	1	1.5	V
$V_{T+}\sim V_{T-}$	Hysteresis RESET	$V_{DD}=5\text{V}$	0.5	1	1.5	V
$R_U$	Pull-up transistor Ports $L_0\sim L_3, E_0\sim E_3, G_0\sim G_3$ (Note 5)	$V_{DD}=5\text{V}$ $V_I=0\text{V}$	15	30	60	k $\Omega$
$R_U$	Pull-up transistor INT, RESET (Note 5)	$V_{DD}=5\text{V}$ $V_I=0\text{V}$	25	50	100	k $\Omega$
$I_{OZL}$	Output leak current Ports $G_0\sim G_3, L_0\sim L_3$	$V_O=5\text{V}$			10	$\mu\text{A}$
$I_{OZL}$	Output leak current $VDP_0\sim VDP_2$ , Ports $M_0\sim M_2$ $K_0\sim K_3, H_0\sim H_3$	$V_O=12\text{V}$			10	$\mu\text{A}$
$V_O$	Pressure-resistant output voltage Ports $M_0\sim M_2, VDP_0$ $\sim VDP_2, K_0\sim K_3, H_0\sim H_3$				12	V