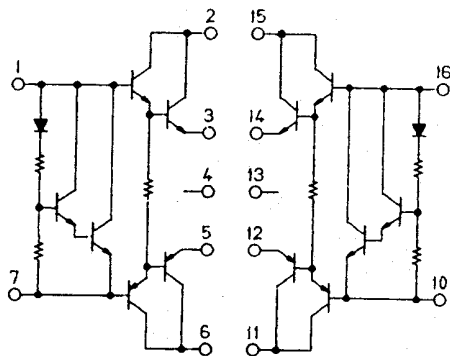


# 2CH PURE COMPLEMENTARY D. P. P. SERIES

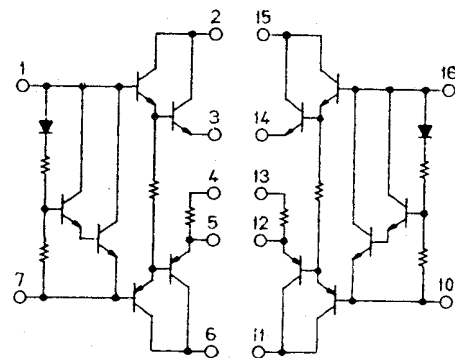
2ch 純コンプリメンタリー ターリントン パワーストック シリーズ

Type No Series Name  シリーズ名	Maximum Rating 最大定格						Recommended Operation 推奨動作	Electrical Characteristics 電気的特性			With Ro Ro 付
	Vcc max	$\theta_{j-c}$	IC max	Tj	Ts	Tstg	Supply Voltage Vcc at RL=8Ω	Closed Loop Gain	Po max/RL=8 Ω		Ro=0.22Ω
	V	°C/W	A	°C	sec	°C			THD	W	
STK 2030	±48	2.1	4	150	2		±30.0	40	30	0.01	No
STK 2230	±48	2.1	4	150	2	-30	±30.0	40	30	0.01	Yes
STK 2040	±54	1.8	5	150	2	~	±33.5	40	40	0.01	No
STK 2240	±54	1.8	5	150	2	+105	±33.5	40	40	0.01	Yes
STK 2050	±59	1.8	5	150	2		±37.0	40	50	0.01	No
STK 2250	±59	1.8	5	150	2		±37.0	40	50	0.01	Yes

## ■ EQUIVALENT CIRCUIT



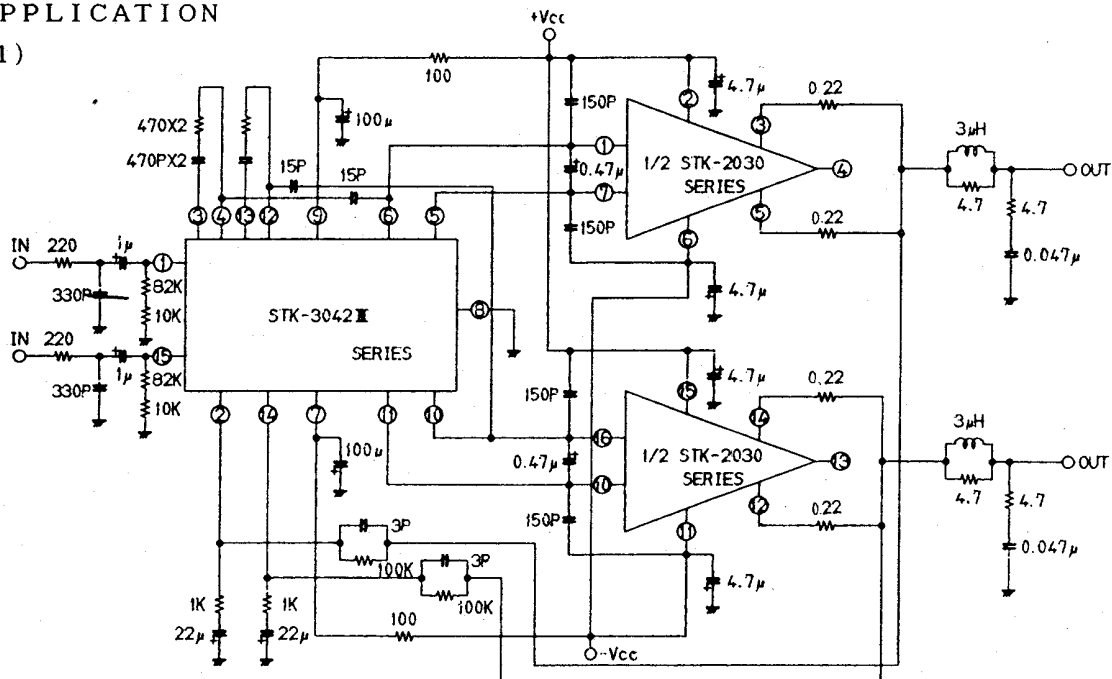
( STK2030, 2040, 2050 )

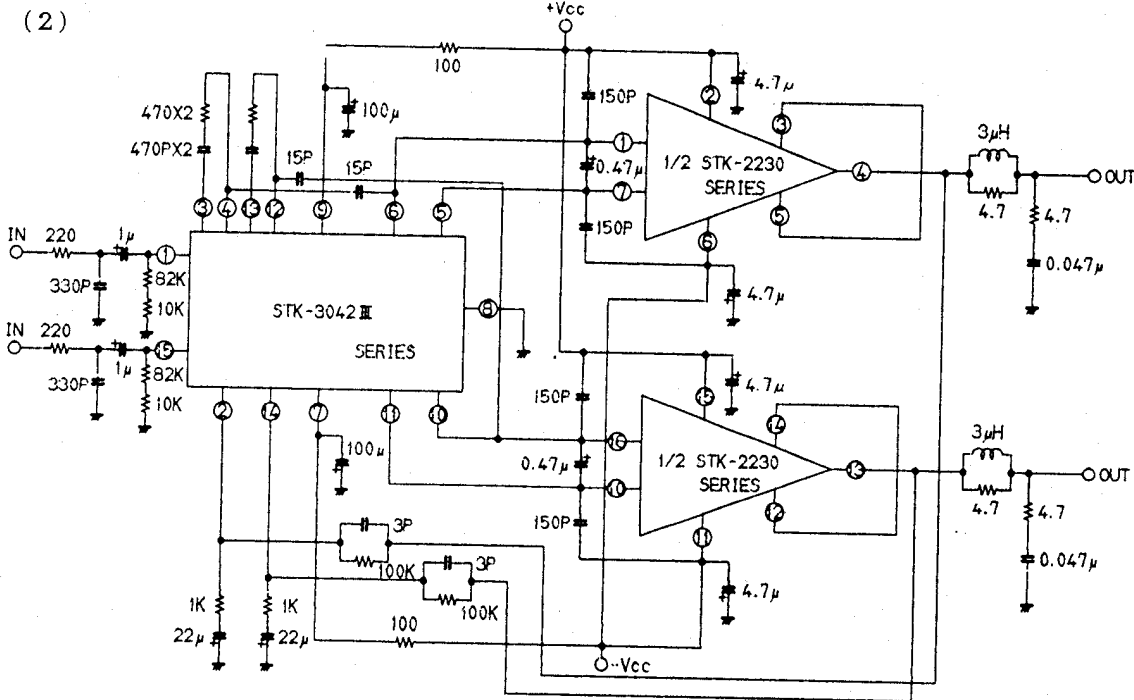


( STK2230, 2240, 2250 )

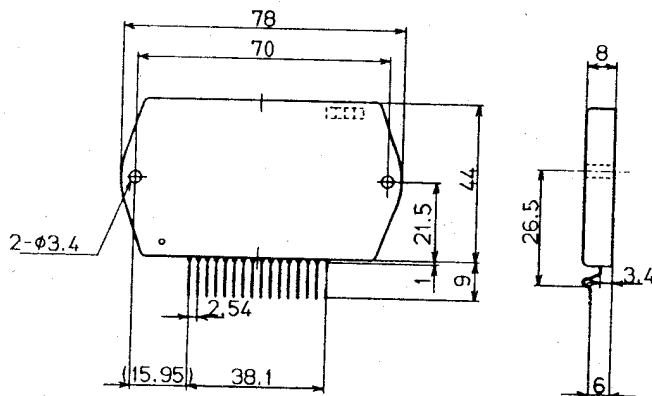
## ■ APPLICATION

(1)

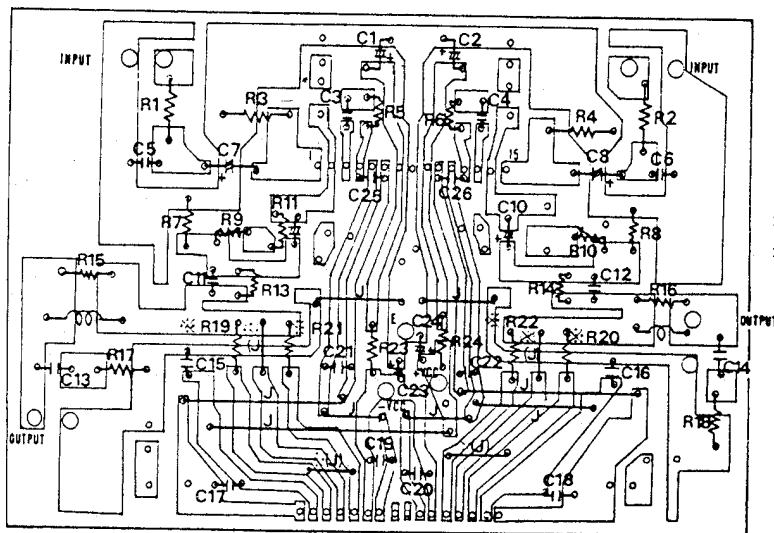




■ PACKAGE DIMENSION



■ BACK VIEW



- |           |           |         |                       |
|-----------|-----------|---------|-----------------------|
| R1,R2     | 220 Ω     | C1,C2   | 47 μ                  |
| R3,R4     | 33K Ω     | C3,C4   | 68P                   |
| R5,R6     | 470 Ω     | C5,C6   | 330P                  |
| R7,R8     | 3.3KΩ     | C7,C8   | 1 μ                   |
| R9,R10    | 20KB      | C9,C10  | 1 μ                   |
| R11,R12   | 22K Ω     | C11,C12 | 7P                    |
| R13,R14   | 68K Ω     | C13,C14 | 0.47 μ(mylar)         |
| R15,R16   | 4.7 Ω     | C15,C16 | 1 μ(with both         |
| R17,R18   | 4.7 Ω(2W) | C17,C18 | 150P channels driven) |
| * R19,R20 | 0.22Ω     | C19,C20 | 150P                  |
| * R21,R22 | 0.22Ω     | C21,C22 | 0.47 μ(mylar)         |
| R23,R24   | 100 Ω(2W) | C23,C24 | 4.7 μ                 |
|           |           | C25,C26 | 15P                   |
- Coil: 3 μH

	* R19,R20 R21,R22	*(J)
STK2230 STK2240	without	with
STK2030 STK2040	with	without