

3-INPUT VIDEO SWITCH

■ GENERAL DESCRIPTION

The NJM2234 is 3-input video switch selecting one of three input video or audio signals. Its operating supply voltage range is 5 to 12V and bandwidth is 10MHz. Crosstalk is 70dB (at 4.43MHz).

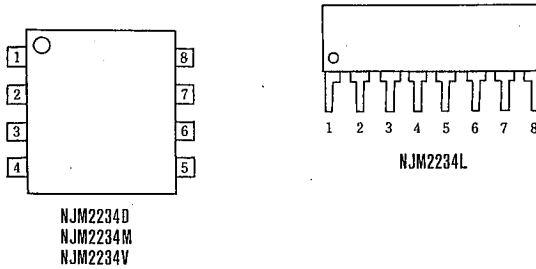
■ FEATURES

- Operating Voltage (+4.75V~+13V)
- 3 Input-1 Output
- Muting Function available
- Wide Operating Supply Voltage Range 4.75~13V
- Cross-talk 70dB (at 4.43MHz)
- Muting Function available
- Package Outline DIP-8, DMP-8, SIP-8, SSOP-8
- Bipolar Technology

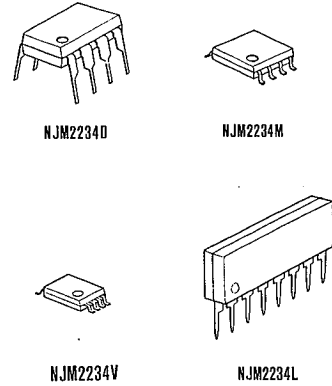
■ APPLICATION

- VCR Video Camera AV-TV Video Disc Player Audio

■ PIN CONFIGURATION



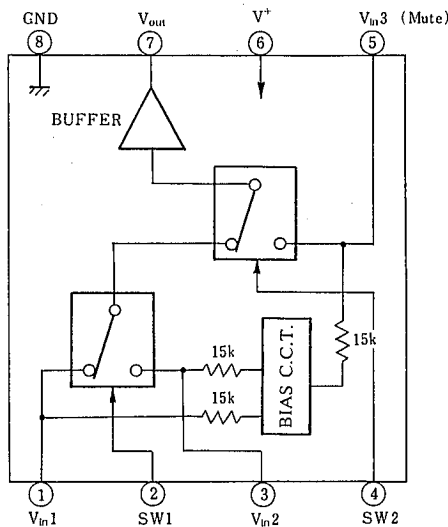
■ PACKAGE OUTLINE



PIN FUNCTION

1. V_{in1}
2. SW1
3. V_{in2}
4. SW2
5. V_{in3}
6. V^+
7. V_{out}
8. GND

■ BLOCK DIAGRAM



■ ABSOLUTE MAXIMUM RATINGS

(Ta=25°C)

PARAMETER	SYMBOL	RATINGS	UNIT
Supply Voltage	V*	15	V
Power Dissipation	Pd	(DIP8) 500	mW
		(DMP8) 300	mW
		(SSOP8) 250	mW
		(SIP8) 800	mW
Operating Temperature Range	Topr	-20~+75	°C
Storage Temperature Range	Tstg	-40~+125	°C

■ ELECTRICAL CHARACTERISTICS

(V*=5V, Ta=25°C)

PARAMETER	SYMBOL	TEST CONDITION	MIN.	TYP.	MAX.	UNIT
Recommended Supply Voltage	V+		4.75	—	13.0	V
Operating Current	ICC	S1=S2=S3=S4=S5=1	—	11.0	14.5	mA
Frequency Characteristics (1)	Gf1	Vi=2.5Vpp Vo(20Hz)/Vo(100kHz)	-1.0	—	+1.0	dB
Frequency Characteristics (2)	Gf2	Vi=2.0Vpp Vo(10MHz)/Vo(100kHz)	-1.0	—	+1.0	dB
Voltage Gain	Gv	Vi=2.5Vpp, 100kHz Vo/Vi	-0.5	—	+0.5	dB
Total Harmonic Distortion	THD	Vi=2.5Vpp, 1kHz	—	0.03	—	%
Differential Gain	DG	Vi=2Vpp Staircase signal	—	0	—	%
Differential Phase	DP	Vi=2Vpp Staircase signal	—	0	—	deg
Output Offset Voltage	Voff	(note 2)	-30	—	+30	mV
Crosstalk (1)	CT1	Vi=2.0Vpp, 4.43MHz, Vo/Vi(note 3)	—	-70	—	dB
Crosstalk (2)	CT2	Vi=2.0Vpp, 4.43MHz, Vo/Vi (note 4)	—	-70	—	dB
Switch Change Voltage	VCH	All inside SW : ON	2.4	—	—	V
	VCL	All inside SW : OFF	—	—	0.8	V
Input Impedance	Ri		—	15	—	kΩ
Output Impedance	Ro		—	10	—	Ω

(note 1): If it is not shown about switch condition, it is tested on three condition below.

a) S1=2, S2=S3=S4=S5=1 b) S2=S4=2, S1=S3=S5=1, c) S3=S5=2, S1=S2=1, S4=1 or 2.

(note 2): S1=S2=S3=1, Output DC voltage difference of three mode below.

a) S4=S5=1 b) S4=2, S5=1 c) S4=1 or 2, S5=2

(note 3): S5=1, Tested on all combination of S1~S4 excepted two below.

a) S1=2, S4=1 b) S2=S4=2

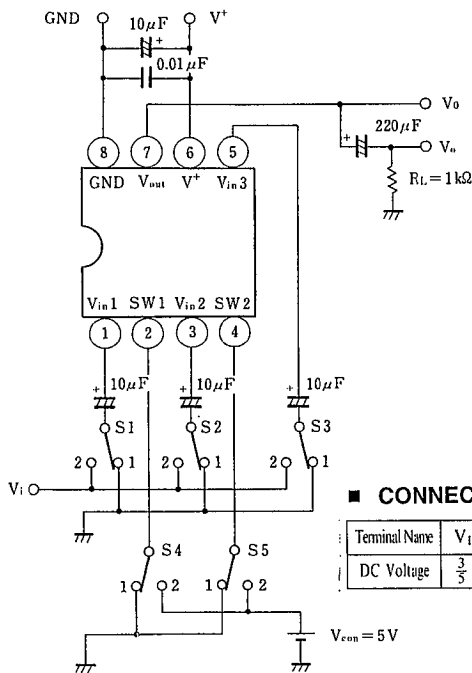
(note 4): Tested on all combination of S1~S4 excepted one.

a) S5=2, S3=2

■ INPUT CONTROL SIGNAL - OUTPUT SIGNAL

SW 1	SW 2	OUTPUT SIGNAL
L	L	V _{IN 1}
H	L	V _{IN 2}
L/H	H	V _{IN 3}

■ TEST CIRCUIT

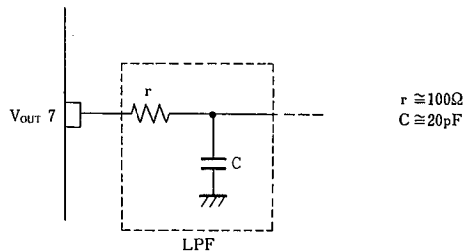


■ CONNECTION DIAGRAM

Terminal Name	V _{IN 1}	SW1	V _{IN 2}	SW2	V _{IN 3}	V ⁺	V _{OUT}	GND
DC Voltage	$\frac{3}{5} V^+$	—	$\frac{3}{5} V^+$	—	$\frac{3}{5} V^+$	—	$\frac{3}{5} V^+ - 0.7$	—

■ APPLICATION

Oscillation Prevention on light loading conditions
Recommended under circuit



■ EQUIVALENT CIRCUIT

PIN NO.	PIN FUNCTION	INSIDE EQUIVALENT CIRCUIT	PIN NO.	PIN FUNCTION	INSIDE EQUIVALENT CIRCUIT
1	V _{IN 1}		5	V _{IN 3} (Mute)	
2	SW 1		6	V+	
3	V _{IN 2}		7	V _{OUT}	
4	SW 2		8	GND	

MEMO

[CAUTION]

The specifications on this databook are only given for information, without any guarantee as regards either mistakes or omissions. The application circuits in this databook are described only to show representative usages of the product and not intended for the guarantee or permission of any right including the industrial rights.