

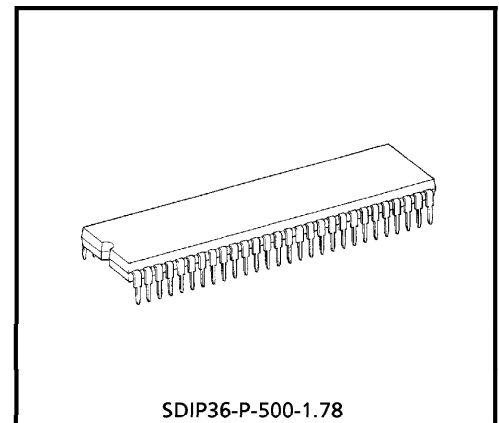
# TA8777BN

## AV SWITCH FOR COLOR TV

TA8777BN is a switching IC comprising two audio (R/L) and a video circuit and is offered in a shrink 36-pin plastic package.

The inputs for all the three audio/video circuits can be simultaneously switched among a TV input channel and for external input channels. Two of the four external input channels are compatible with S-terminals.

TA8777BN is controlled via the I<sup>2</sup>C Bus.

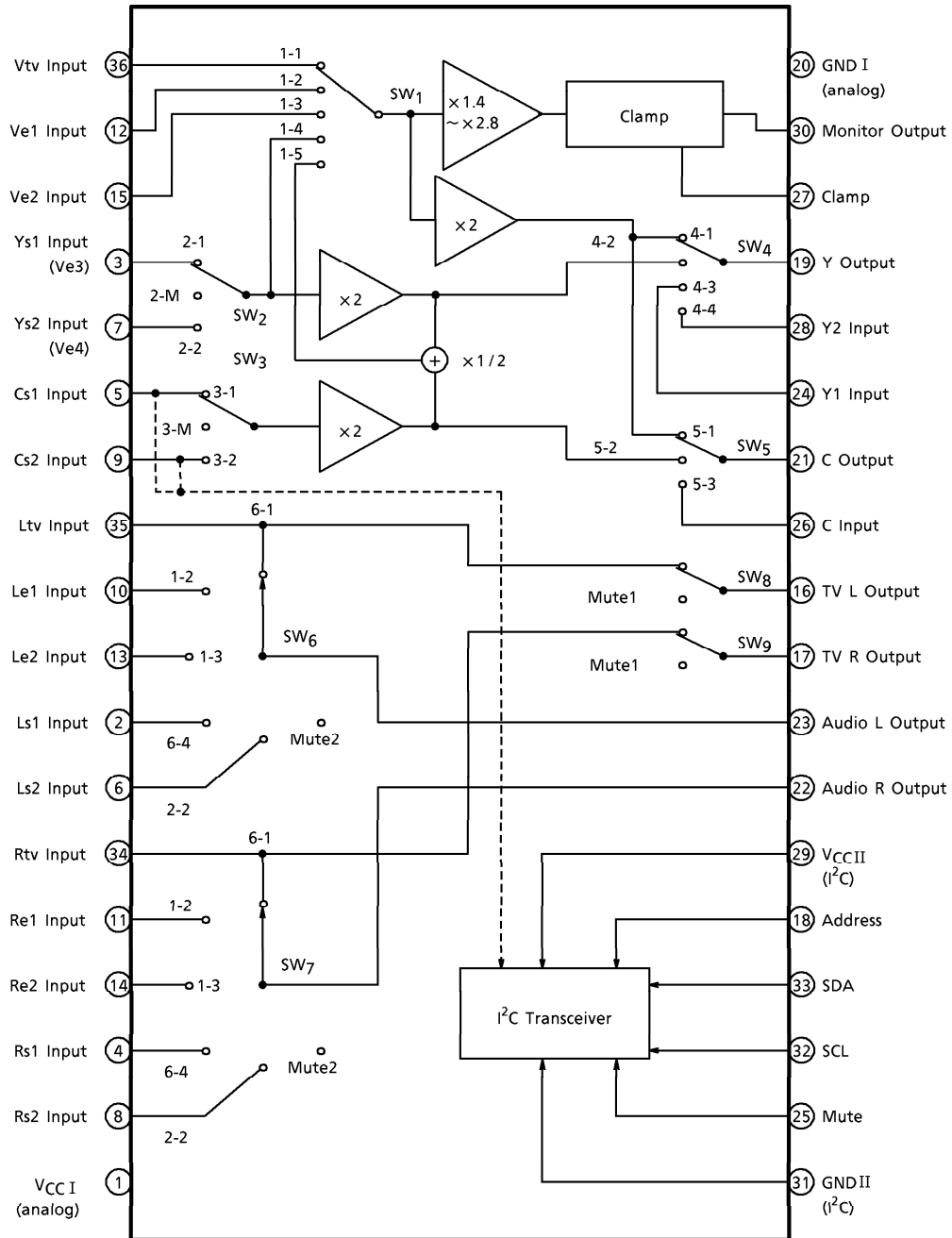


Weight : 2.98 g (Typ.)

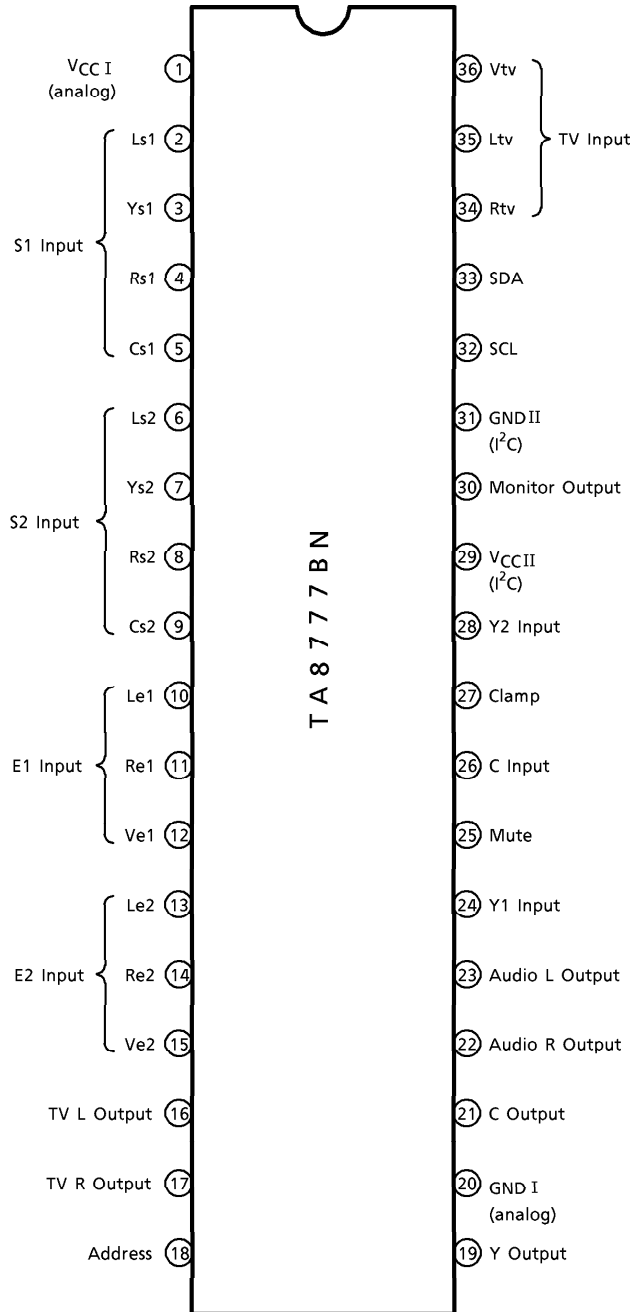
### FEATURES

- Audio Two circuits (L/R)
  - Inputs : 1-channel TV input  
4-channel external input
  - Outputs : L/R output
- Video One circuit
  - Inputs : 1-channel TV input  
4-channel external input
  - Outputs : Monitor output  
Y/C output
- Audio mute function
- Can be used with a comb filter.

BLOCK DIAGRAM



TERMINAL CONNECTION DIAGRAM



### I<sup>2</sup>C Bus Slave Address

Voltage on Pin (V)	Address
0.0~1.5	10010000
1.5~4.5	10010110
4.5~7.5	10010100
7.5~9.0	10010010

### Data Transfer Format



### Bus Control Function

#### DATA I

I B7	I B6	I B5	I B4	I B3	I B2	I B1	I B0
------	------	------	------	------	------	------	------

Preset to { 00001111 } when power-on

#### DATA II

—	—	—	II B4	II B3	II B2	II B1	II B0
---	---	---	-------	-------	-------	-------	-------

Preset to { ※※※00011 } when power-on  
(※ = Don't care)

### Mode Setting ( I B7、 I B6、 I B5、 I B4 )

I B7	I B6	I B5	I B4	Pin5	Pin9	Mode Setting
0	0	0	0	※	※	TV
0	0	0	1	※	※	E1
0	0	1	0	※	※	E2
0	0	1	1	※	※	E3
0	1	0	0	※	※	E4
0	1	0	1	L	※	E3
				Open		S1
0	1	1	0	※	L	E4
				Open	S2	
0	1	1	1	※	※	TV1
1	0	0	0	※	※	TV2
1	0	0	1	※	※	TV
S						
1	1	1	1			

### Video Gain ( II B2、 II B1、 II B0 )

II B2	II B1	II B0	Gain
0	0	0	2.9dB
0	0	1	4.1dB
0	1	0	5.1dB
0	1	1	6.0dB
1	0	0	6.8dB
1	0	1	7.6dB
1	1	0	8.3dB
1	1	1	8.9dB

(Note 1) : When I B7~ I B4 are set for S1 Mode and S2 Mode, if a voltage not exceeding 1V is applied to the chrome input pin, the mode becomes E3 Mode and E4 Mode, respectively.

(Note 2) : When the values of I B7~ I B4 are within 1001~1111, TV Mode will be selected.

(Note 3) : ※ = Don't care.

### System Setting ( I B3·I B2 )

I B3	System Setting	I B2	System Setting
0	4.43MHz	0	Black and white
1	3.58MHz	1	Color

### Comb Filter ( II B4 )

II B4	Comb Filter
0	×
1	○

### Mute On/Off ( I B1·I B0 )

I B0	Mute I	I B1	MuteII
0	Off	0	Off
1	On	1	On

### Modes and Outputs

Mode	II B3	Switch Select	Monitor Output	Y Output	C Output	L Output	R Output		
TV	0	1-1, 2-M, 3-M, 6-1	Vtv	See No.1 (on next page.)		Ltv	Rtv		
	1	1-1, 2-M, 3-M, 6-4				Ls1	Rs1		
E1	※	1-2, 2-M, 3-M	Ve1			Le1	Re1		
E2	※	1-3, 2-M, 3-M	Ve2			Le2	Re2		
E3	※	1-4, 2-1, 3-M, 6-4	Ys1			Ls1	Rs1		
E4	※	1-4, 2-2, 3-M	Ys2			Ls2	Rs2		
S1	※	1-5, 2-1, 3-1, 4-2, 5-2, 6-4	Ys1 + Cs1			Ys1	Cs1	Ls1	Rs1
S2	※	1-5, 2-2, 3-2, 4-2, 5-2	Ys2 + Cs2			Ys2	Cs2	Ls2	Rs2
TV1	0	1-4, 2-1, 3-1, 6-4	Ys1	See No.2 (on next page.)		Ls1	Rs1		
	1	1-4, 2-1, 3-1, 6-1				Ltv	Rtv		
TV2	※	1-4, 2-2, 3-2	Ys2			Ls2	Rs2		

(Note) : ※ = Don't care.

No.1

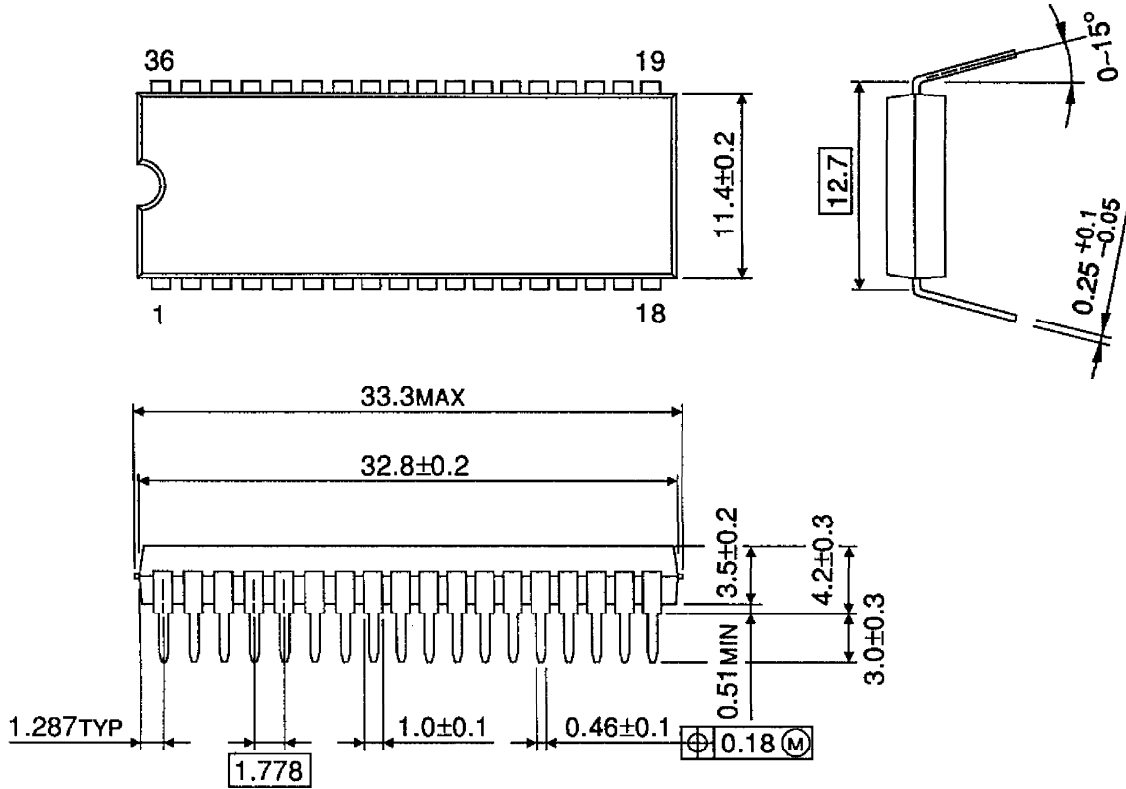
I B3	I B2	II B4	Switch Select	Y Output					C Output				
				TV	E1	E2	E3	E4	TV	E1	E2	E3	E4
0	0	0	4-1, 5-1	Vtv	Ve1	Ve2	Ys1	Ys2	Vtv	Ve1	Ve2	Ys1	Ys2
		1	4-3, 5-3	Y1 Input					C Input				
	1	0	4-4, 5-1	Y2 Input					Vtv	Ve1	Ve2	Ys1	Ys2
		1	4-3, 5-3	Y1 Input					C Input				
1	0	0	4-1, 5-1	Vtv	Ve1	Ve2	Ys1	Ys2	Vtv	Ve1	Ve2	Ys1	Ys2
		1	4-3, 5-3	Y1 Input					C Input				
	1	0	4-4, 5-1	Y1 Input					Vtv	Ve1	Ve2	Ys1	Ys2
		1	4-3, 5-3	Y1 Input					C Input				

No.2

I B3	I B2	II B4	Swutch Select	Y Output		C Output	
				TV1	TV2	TV1	TV2
0	0	0	4-2, 5-2	Ys1	Ys2	Cs1	Cs2
		1	4-2, 5-2	Ys1	Ys2	Cs1	Cs2
	1	0	4-4, 5-2	Y2 Input		Cs1	Cs2
		1	4-3, 5-3	Y1 Input		C Input	
1	0	0	4-2, 5-2	Ys1	Ys2	Cs1	Cs2
		1	4-2, 5-2	Ys1	Ys2	Cs1	Cs2
	1	0	4-4, 5-2	Y1 Input		Cs1	Cs2
		1	4-3, 5-3	Y1 Input		C Input	

**PACKAGE DIMENSIONS**  
SDIP36-P-500-1.78

Unit : mm



Weight : 2.98 g (Typ.)

**RESTRICTIONS ON PRODUCT USE**

000707EBA

- TOSHIBA is continually working to improve the quality and reliability of its products. Nevertheless, semiconductor devices in general can malfunction or fail due to their inherent electrical sensitivity and vulnerability to physical stress. It is the responsibility of the buyer, when utilizing TOSHIBA products, to comply with the standards of safety in making a safe design for the entire system, and to avoid situations in which a malfunction or failure of such TOSHIBA products could cause loss of human life, bodily injury or damage to property. In developing your designs, please ensure that TOSHIBA products are used within specified operating ranges as set forth in the most recent TOSHIBA products specifications. Also, please keep in mind the precautions and conditions set forth in the "Handling Guide for Semiconductor Devices," or "TOSHIBA Semiconductor Reliability Handbook" etc..
- The TOSHIBA products listed in this document are intended for usage in general electronics applications (computer, personal equipment, office equipment, measuring equipment, industrial robotics, domestic appliances, etc.). These TOSHIBA products are neither intended nor warranted for usage in equipment that requires extraordinarily high quality and/or reliability or a malfunction or failure of which may cause loss of human life or bodily injury ("Unintended Usage"). Unintended Usage include atomic energy control instruments, airplane or spaceship instruments, transportation instruments, traffic signal instruments, combustion control instruments, medical instruments, all types of safety devices, etc.. Unintended Usage of TOSHIBA products listed in this document shall be made at the customer's own risk.
- The products described in this document are subject to the foreign exchange and foreign trade laws.
- The information contained herein is presented only as a guide for the applications of our products. No responsibility is assumed by TOSHIBA CORPORATION for any infringements of intellectual property or other rights of the third parties which may result from its use. No license is granted by implication or otherwise under any intellectual property or other rights of TOSHIBA CORPORATION or others.
- The information contained herein is subject to change without notice.