

SANYO

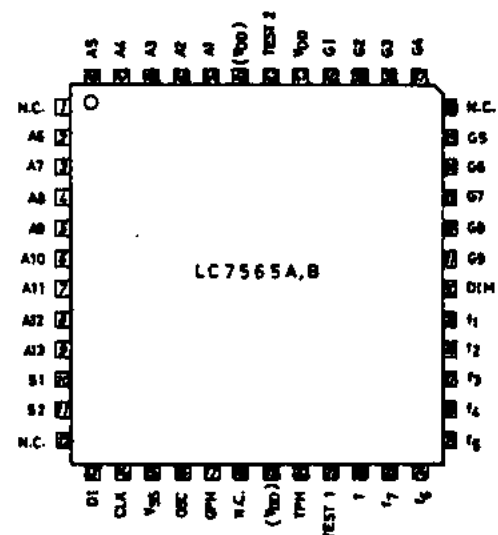
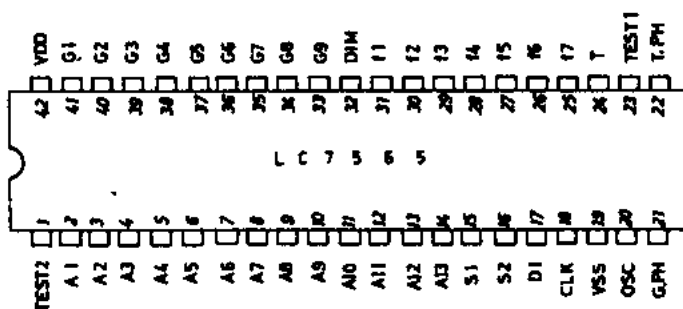
No.1616H

LC7565, 7565A, 7565B**FLT Driver for
Display of Graphic Equalizer****Use**

FLT driver for spectrum analyzer display and driver for setting point of graphic equalizers LC7520, LC7522.

Features

- (1) Single 5V supply (FLT driver section : 40V breakdown voltage)
- (2) 7-band display + accessory display + total display : 13 segments \times 9 grids
 - Display of band-pass signal strength \rightarrow Spectrum analyzing display : 7 bands 2dB/step, 13-dot display + total display
 - Display of setting state in each band \rightarrow Dot display : Flashable at the setting mode, R/L selectable.
 - Accessory display : 13 kinds of L, R, and Mn of memory.
- (3) In 1-chip applications, the signal strength display input is the L/R mixing input. (The mixing circuit is connected externally.)
- (4) Display unit : Dynamic drive of FLT. Duty cycle 1/11.4 (Total display 2/11.4)
- (5) Band-pass filter for display : External equivalent filter
- (6) System control : External microcomputer-controlled. Only 2 control buses
- (7) Spectrum analyzing display with peak hold function.
- (8) Dimmer function
- (9) LED display available with external transistor driver.
- (10) Flashing of a setting point in each band for graphic equalizer display is possible using setting point flash data.

Pin Assignment

Information (including circuit diagrams and circuit parameters) herein is for example only; it is not guaranteed for volume production. SANYO believes information herein is accurate and reliable, but no guarantees are made or implied regarding its use or any infringements of intellectual property rights or other rights of third parties.

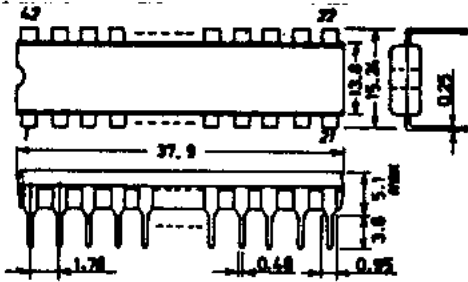
Specifications and information herein are subject to change without notice.

SANYO Electric Co., Ltd. Semiconductor Business Headquarters

TOKYO OFFICE: Sanyo Bldg. 1-10-1 Otsome, Chuo-ku, TOKYO 110, JAPAN

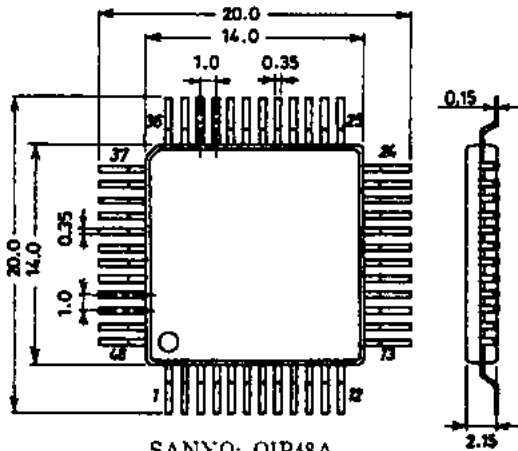
LC7565, 7565A, 7565B

Package Dimensions 3025B (unit: mm) [LC7565]



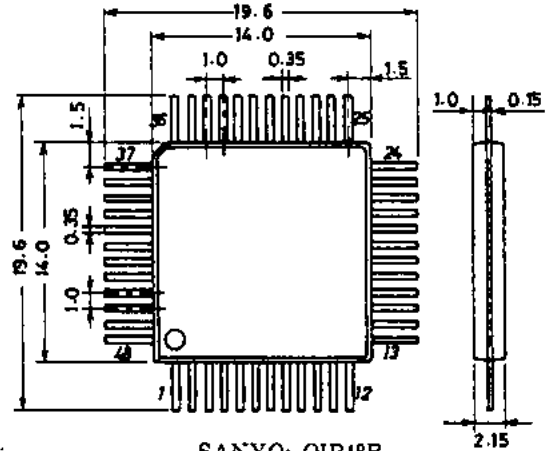
SANYO: DIP42S

Package Dimensions 3052A (unit: mm) [LC7565A]



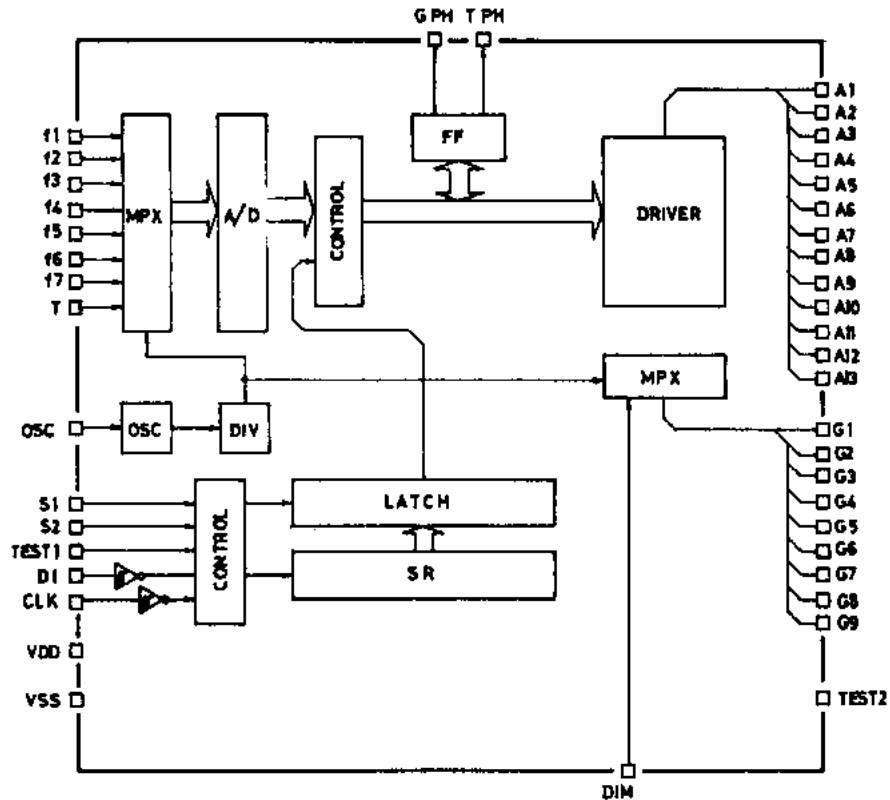
SANYO: QIP48A

Package Dimensions 3118 (unit: mm) [LC7565B]



SANYO: QIP48B

Equivalent Circuit Block Diagram



LC7565, 7565A, 7565B

Absolute Maximum Ratings at Ta = 25°C, V_{SS} = 0V				unit
Maximum Supply Voltage	V _{DD} max		V _{SS} to V _{SS} + 7.0	V
Maximum Input Voltage	V _I max	CLK, DI, f1 to f7, T, TEST1, S1, S2, T-PH, G-PH, DIM	V _{SS} - 0.3 to V _{DD} + 0.3	V
Maximum Output Voltage	V _O max	A1 to A13, G1 to G9	V _{DD} - 40 to V _{DD} + 0.3	V
Output Current	I _{O1}	A1 to A13	down to -5.0	mA
	I _{O2}	G1 to G9	down to -15.0	mA
Allowable Power Dissipation	Pd max		300	mW
Operating Temperature	T _{opg}		-40 to +85	°C
Storage Temperature	T _{stg}		-40 to +125	°C

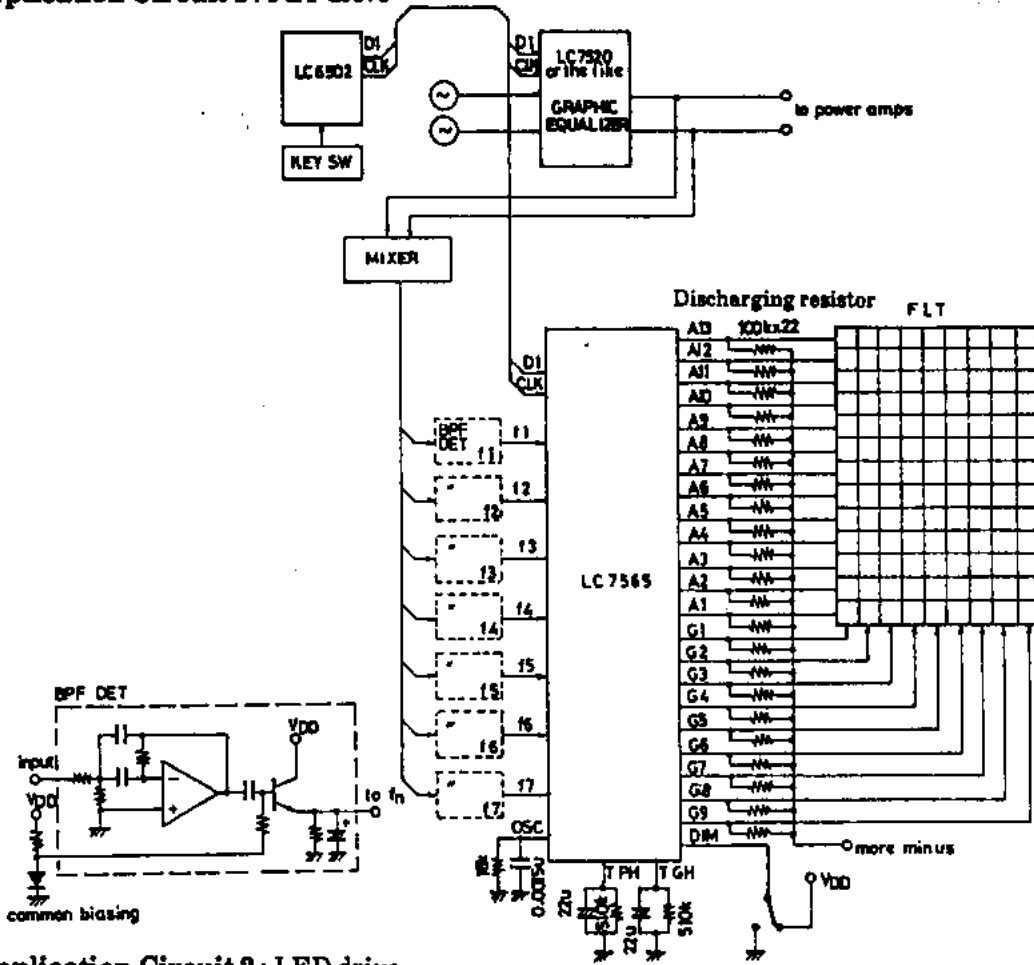
Allowable Operating Conditions at Ta = 25°C, V_{SS} = 0V				min	typ	max	unit
Supply Voltage	V _{DD}		4.5	5.0	5.5		V
Input "H"-Level Voltage	V _{IH1}	CLK, DI, S1, S2, DIM	0.8V _{DD}		V _{DD}		V
	V _{IH2}	T-PH, G-PH	0.9V _{DD}		V _{DD}		V
Input "L"-Level Voltage	V _{IL1}	CLK, DI, S1, S2, DIM	V _{SS}		0.2V _{DD}		V
	V _{IL2}	T-PH, G-PH	V _{SS}		0.1V _{DD}		V
Input Pulse Width	t _{pw}	CLK	1				μs
Setup Time	t _{stap}	CLK, DI	1				μs
Hold Time	t _{hold}	DI	1				μs
Operating Frequency	f _{opg}	CLK				330	kHz
Output Voltage (Open drain)	v _o	A1 to A13, G1 to G9	V _{DD} - 38		V _{DD}		V

Electrical Characteristics at Ta = 25°C, V_{DD} = 5V				min	typ	max	unit
Input "H"-Level Current	I _{IH}	CLK, DI, S1, S2, TEST1, V _I = 5V	0		10		μA
Input "L"-Level Current	I _{IL}	CLK, DI, S1, S2, TEST1, V _I = 0V	-10		0		μA
Output "H"-Level Voltage	V _{OH1}	A1 to A13, I _O = -2.5mA	V _{DD} - 2.5				V
	V _{OH2}	G1 to G9, I _O = -14mA	V _{DD} - 6.0				V
Output Leakage Current	I _{off}	G1 to G9, A1 to A13, V _O = V _{DD} - 38			10		μA
Input Sensitivity	v _i	f1 to f7, V _{DD} = 5V, 0dB = 267mV	+12 lighted	23	24	25	dB
			+10 lighted	21	22	23	dB
			+8 lighted	19	20	21	dB
			+6 lighted	17	18	19	dB
			+4 lighted	15	16	17	dB
			+2 lighted	13	14	15	dB
			0 lighted	11	12	13	dB
			-2 lighted	9	10	11	dB
			-4 lighted	7	8	9	dB
			-6 lighted	5	6	7	dB
			-8 lighted	3	4	5	dB
			-10 lighted	1	2	3	dB
-12 lighted	-1	0	1	dB			
Current Dissipation	I _{DD}	Output open				2	mA
Duty Cycle	D.S	G1 to G7, G9		1/11.4			
		G8		2/11.4			

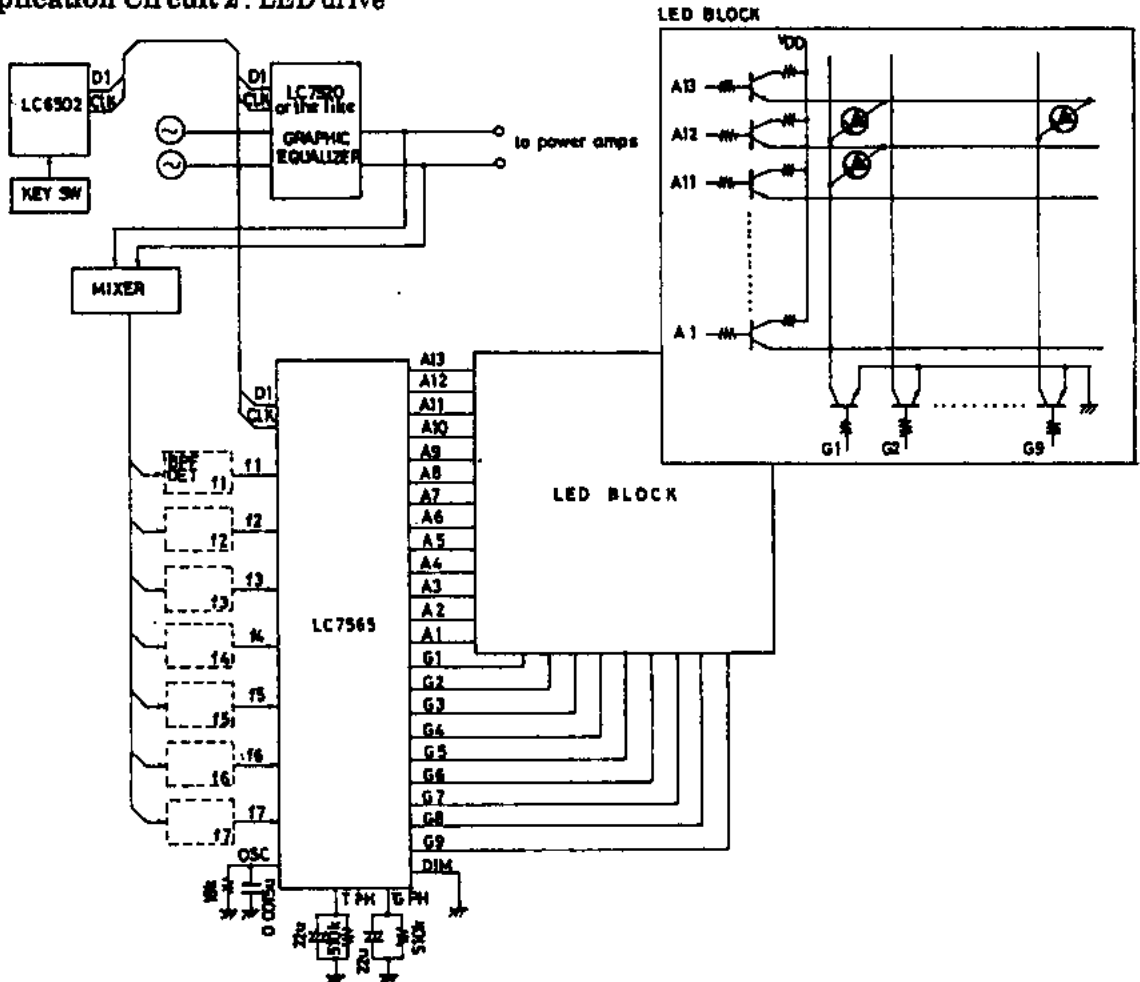
Note 1 : When mounting the QIP package on the board, do not dip the entire package in solder.

LC7565, 7565A, 7565B

Sample Application Circuit 1: FLT drive

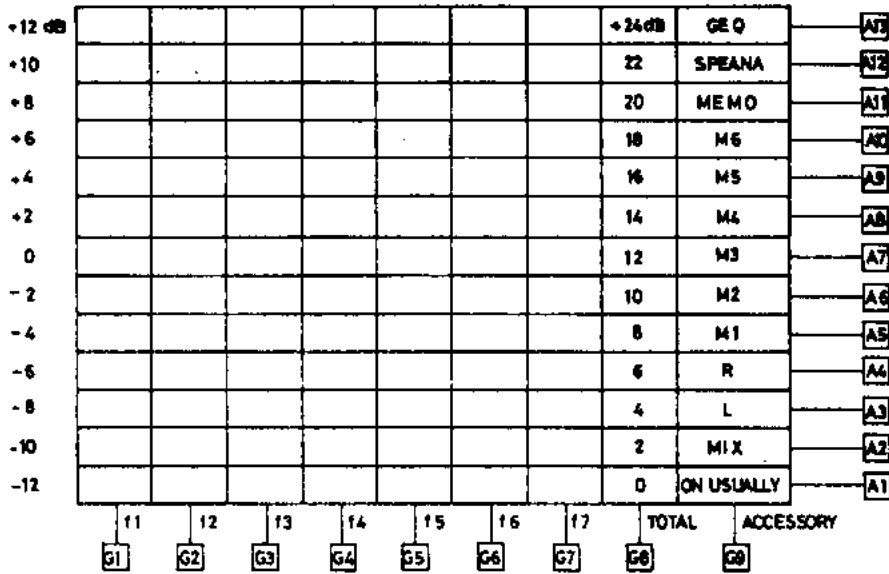


Sample Application Circuit 2: LED drive



LC7565, 7565A, 7565B

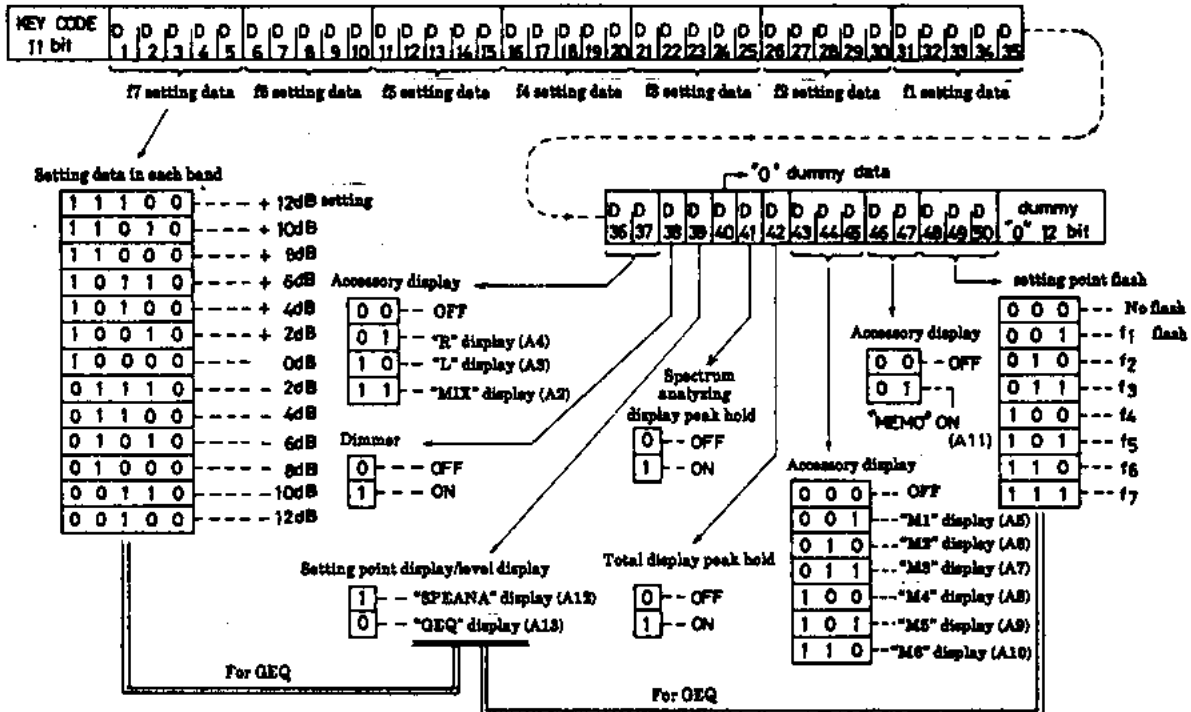
Segment Assignment



The following restrictions are imposed on accessory display.

- (1) Either GEQ (A13) or SPEANA (A12) is lighted. Lighting of GEQ/SPEANA is synchronized with the setting dot mode/spectrum analyzing mode respectively.
- (2) MEMO (A11) can be turned ON/OFF independently.
- (3) All of M1 (A5) to M6 (A10) are unlighted or one of them is lighted.
- (4) All of R (A4), L (A3), MIX (A2) are unlighted or one of them is lighted.
- (5) (A1) remains turned ON.

Data Code

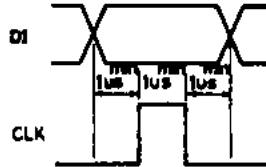


Note 1 When power is applied, data "0" must be first transferred for 61 clocks (initial clock) or more. If data transfer is stopped halfway, the transfer of the remaining data must be completed or data transfer must be started after the initial clocks have been transferred.

Note 2 When the DI, CLK pins are shared with the LC7520, etc., the maximum initial clocks for such device must be transferred.

LC7565, 7565A, 7565B

Data Timing



Pin Description (): LC7565A, 7565B

Pin Name	Pin No.	Pin Configuration	Function																																																	
V _{DD}	42 (41)		· Power supply pin. +5V typ.																																																	
V _{SS}	19 (15)		· Power supply pin. Gnd.																																																	
DI	17 (13)		· Pin for inputting data from CPU · Schmitt inverter type																																																	
CLK	18 (14)		· Pin for inputting CLK from CPU · Schmitt inverter type																																																	
S1	15 (10)		· Select pin when a plurality of chips (max. 3 pcs.) are used.																																																	
S2	16 (11)		<table border="1" style="display: inline-table; border-collapse: collapse;"> <thead> <tr> <th>S2</th> <th>S1</th> <th colspan="6">Key code</th> <th colspan="2">Last bit</th> </tr> </thead> <tbody> <tr> <td>1</td> <td>0</td> <td>1</td> <td>1</td> <td>1</td> <td>1</td> <td>1</td> <td>0</td> <td>0</td> <td>1</td> <td>0</td> <td>1</td> <td>0</td> </tr> <tr> <td>0</td> <td>1</td> <td>1</td> <td>1</td> <td>1</td> <td>1</td> <td>1</td> <td>0</td> <td>0</td> <td>1</td> <td>0</td> <td>0</td> <td>1</td> </tr> <tr> <td>0</td> <td>0</td> <td>1</td> <td>1</td> <td>1</td> <td>1</td> <td>1</td> <td>0</td> <td>0</td> <td>1</td> <td>0</td> <td>0</td> <td>0</td> </tr> </tbody> </table>	S2	S1	Key code						Last bit		1	0	1	1	1	1	1	0	0	1	0	1	0	0	1	1	1	1	1	1	0	0	1	0	0	1	0	0	1	1	1	1	1	0	0	1	0	0	0
S2	S1		Key code						Last bit																																											
1	0	1	1	1	1	1	0	0	1	0	1	0																																								
0	1	1	1	1	1	1	0	0	1	0	0	1																																								
0	0	1	1	1	1	1	0	0	1	0	0	0																																								
G.PH	21 (17)		· Pin for connecting C, R which determine the peak hold reset time of spectrum analyzing display of graphic equalizer. When no peak hold is used, pull down with a resistor of several kΩ.																																																	
T.PH	22 (20)		· Pin for connecting C, R which determine the peak hold reset time of total display. When no peak hold is used, pull down with a resistor of several kΩ.																																																	
DIM	32 (30)		· Pin used to direct drive the IC (when not CPU-controlled) and to control the dimmer. · "1" : Dimmer ON, "0" : Dimmer OFF																																																	
f1 to f7, T	31 to 25 (23 to 29) 24 (22)		· Pin for inputting the rectified voltage of audio signal.																																																	
OSC	20 (16)		· Output buffer of open drain type · Pin for connecting C, R for OSC																																																	
A1 to A13	2 to 14 (44 to 48) (2 to 9)		· Open drain driver · Anode drive																																																	
G1 to G9	41 to 33 (31 to 35) (37 to 40)		· Open drain drive · Grid drive																																																	
TEST 1	23 (21)		· IC test pin (input) Normally connected to V _{SS}																																																	
TEST 2	1 (42)		· IC test pin (output) Normally open																																																	
NC	(1, 12) (18, 36)	QIP-48 only	· No connection pin. Nothing must be connected to this pin.																																																	
(V _{DD})	(43, 19)	QIP-48 only	· V _{DD} sub-pin. Open or connected to V _{DD} .																																																	