

TV VERTICAL DEFLECTION BOOSTER

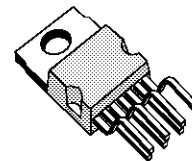
- POWER AMPLIFIER
- FLYBACK SUPPLY VOLTAGE SEPARATED
- THERMAL PROTECTION
- REFERENCE VOLTAGE

DESCRIPTION

Designed for monitors and high performance TVs, the TDA8178FS vertical deflection booster is able to work with a flyback voltage more than the double of V_s .

The TDA8178FS operates with supplies up to 42V, flyback output up to 92V and provides up to 2Aapp output current to drive to yoke.

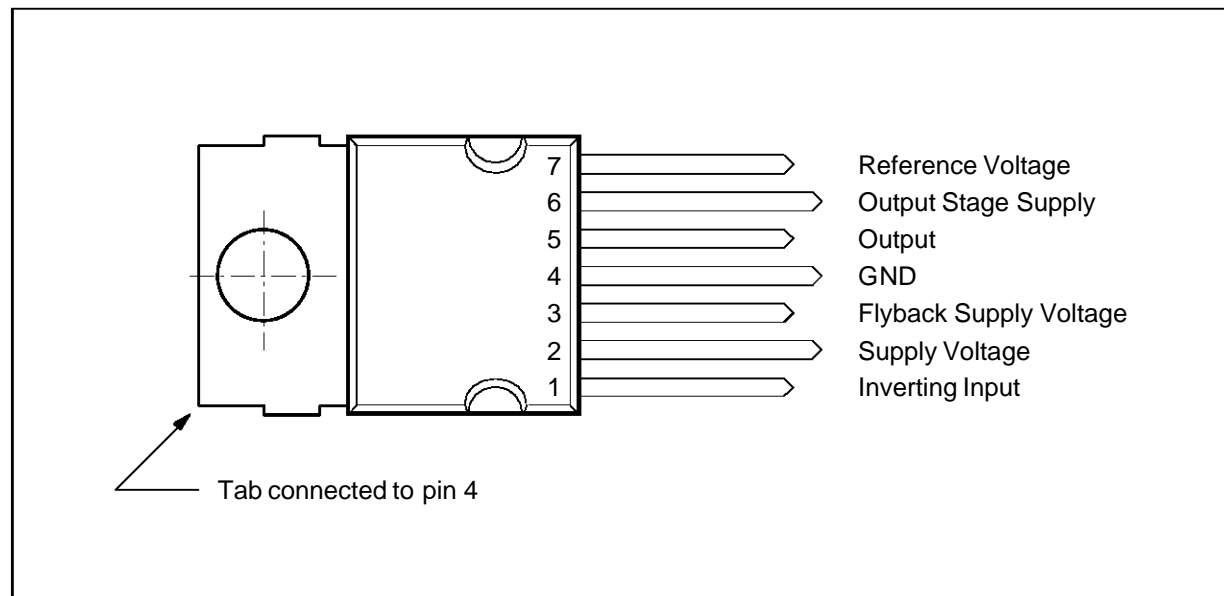
The TDA8178FS is offered in HEPTAWATT package.



HEPTAWATT
(Plastic Package)

ORDER CODE : TDA8178FS

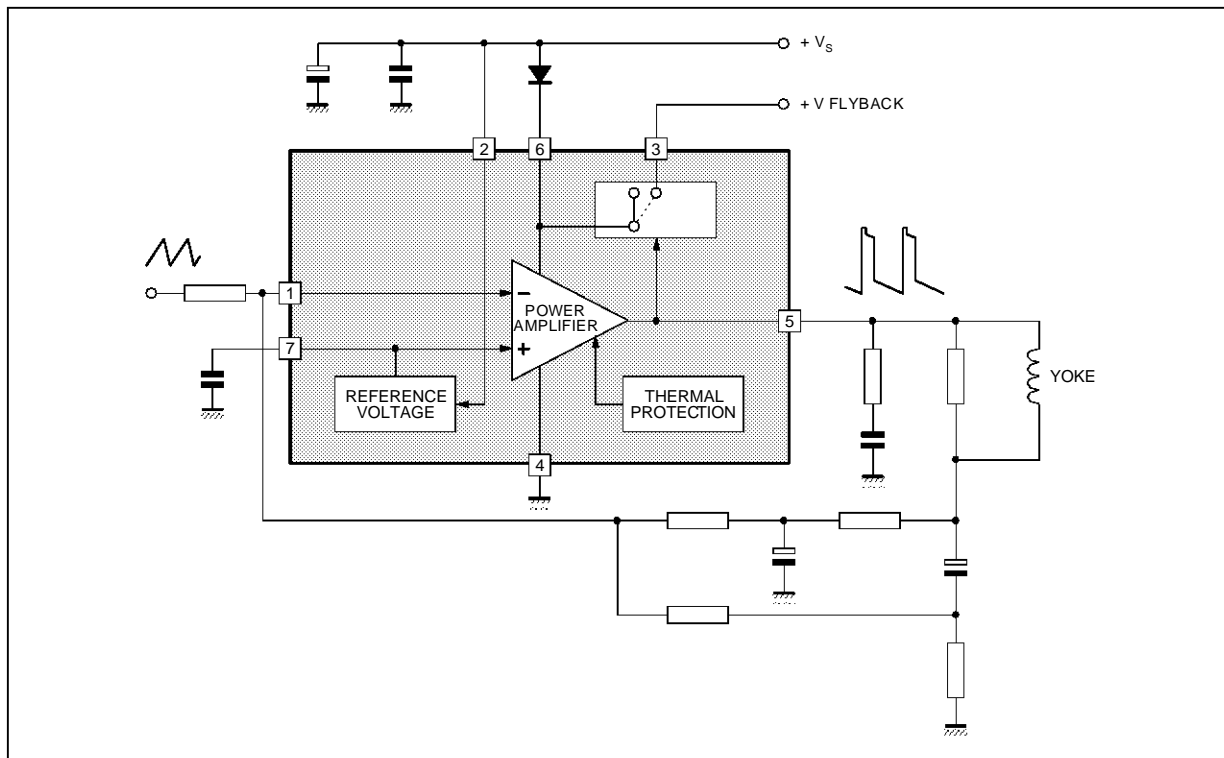
PIN CONNECTIONS



8178F-01.EPS

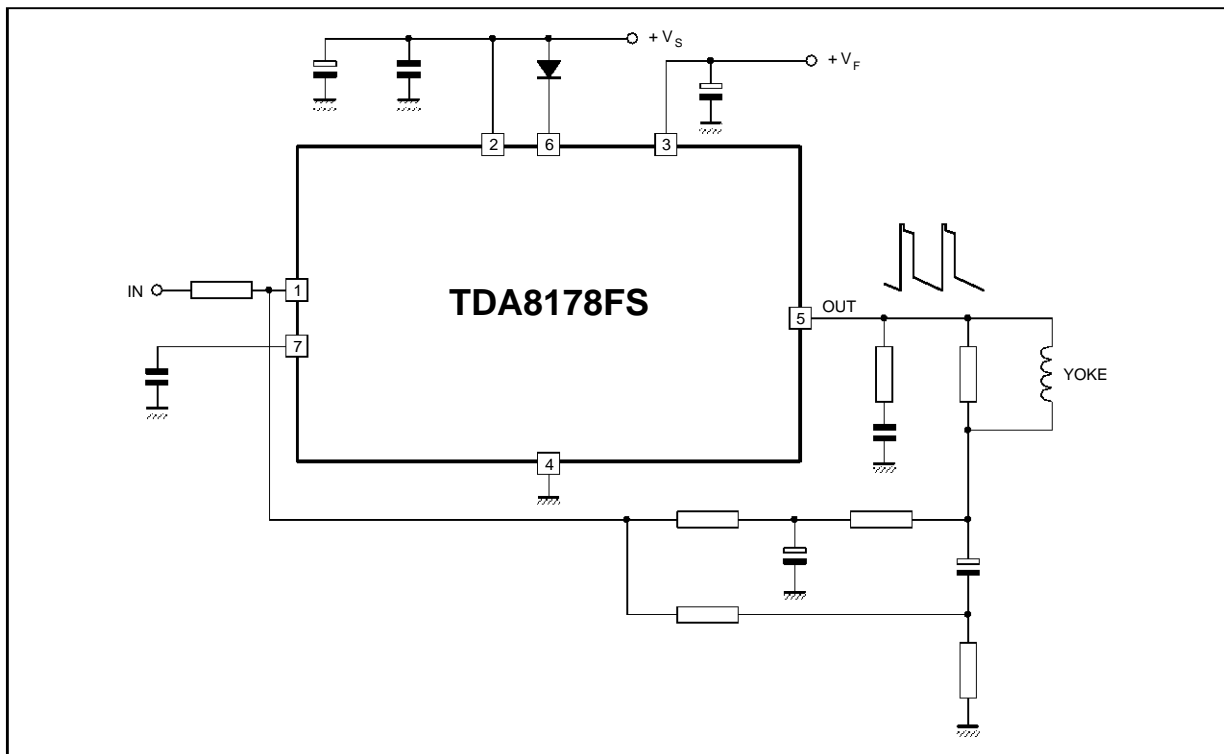
TDA8178FS

BLOCK DIAGRAM



8178F-02.EPS

APPLICATION CIRCUIT



8178F-03.EPS

Note : For values see "Easy Design of Vertical Deflection Stages" (software available from our sales offices)

ABSOLUTE MAXIMUM RATINGS

Symbol	Parameter	Value	Unit
V _S	Supply Voltage (pin 2)	50	V
V _F	Flyback Supply Voltage	100	V
V _F - V _S	Difference between Flyback Supply Voltage and Supply Voltage	50	V
V ₁ , V ₇	Amplifier Input Voltage	+ V _S	
I _O	Output Peak Current	Non-repetitive, t = 2ms f = 50 or 60Hz, t ≤ 10μs f = 50 or 60Hz, t > 10μs	A
I ₃	Pin 3 Peak Flyback Current at f = 50 or 60Hz, t _{fly} ≤ 1.5ms	1.8	A
P _{tot}	Total Power Dissipation at T _C = 70°C	20	W
T _{stg}	Storage Temperature	- 40, + 150	°C
T _j	Junction Temperature	0, +150	°C

8178F-01.TBL

THERMAL DATA

Symbol	Parameter	Value	Unit
R _{th(j-c)}	Junction-case Thermal Resistance	Max. 3	°C/W

8178F-02.TBL

ELECTRICAL CHARACTERISTICS

(V_S = 42V, T_A = 25°C, unless otherwise specified)(refer to the test circuits - see Figure 1 next page)

Symbol	Parameter	Test Conditions	Min.	Typ.	Max.	Unit
V _S	Operating Supply Voltage Range		10		42	V
I ₂	Pin 2 Quiescent Current	I ₃ = 0 I ₅ = 0		10	20	mA
I ₆	Pin 6 Quiescent Current	I ₃ = 0 I ₅ = 0		20	40	mA
I ₁	Amplifier Bias Current	V ₁ = 1V		- 0.2	- 1	μA
V ₅	Quiescent Output Voltage	V _S = 42V R _a = 3.9kΩ V _S = 35V R _a = 5.6kΩ	23.4 17	24.2 17.8	25 18.5	V
V _{5L}	Output Saturation Voltage to GND	I ₅ = 1A		1.2	1.5	V
V _{5H}	Output Saturation Voltage to Supply	- I ₅ = 1A		2.2	2.6	V
V _{D5-6}	Diode Forward Voltage between Pins 5-6	I _D = 1A		1.5	3	V
V _{D3-6}	Diode Forward Voltage between Pins 3-6	I _D = 1A		1.5	3	V
V ₇	Internal Reference		2.1	2.2	2.3	V
ΔV ₇ /ΔV _S	Reference Voltage Drift versus V _S	V _S = 24 to 42V		2	4	mV/V
K _T	Reference Voltage Drift versus T _j	T _j = 0 to 125°C $K_T = \frac{\Delta V_7 \cdot 10^6}{\Delta T_j \cdot V_7}$		100	150	ppm/°C
R ₁	Input Resistance			200		kΩ
T _j	Junction Temperature for Thermal Shutdown			140		°C

8178F-03.TBL

TDA8178FS

FIGURE 1 : DC Test Circuits

Figure 1a : Measurement of $I_1, I_2, I_6, V_7, \Delta V_7/\Delta V_S$

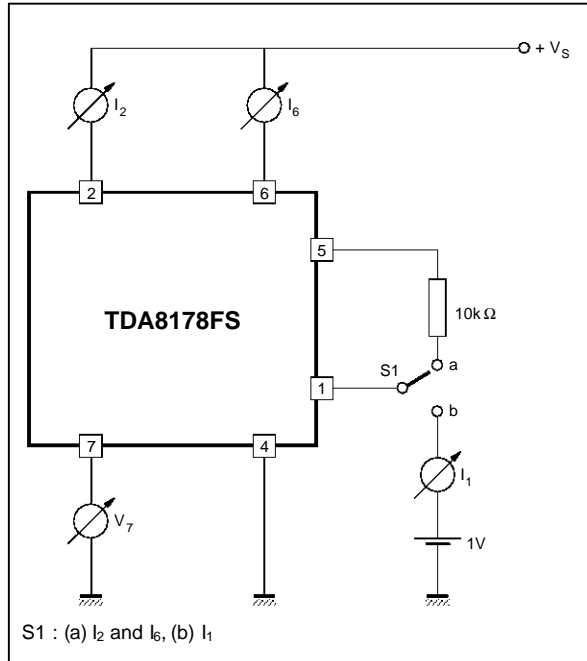


Figure 1b : Measurement of V_{5H}

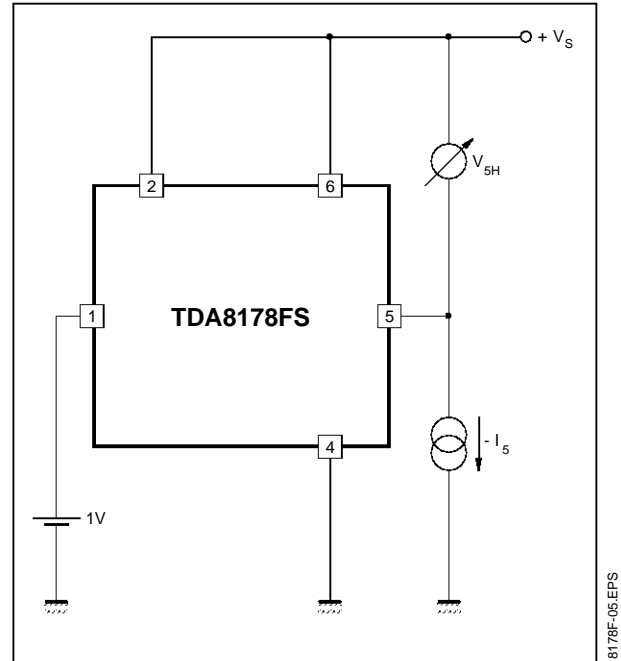


Figure 1c : Measurement of V_{5L}

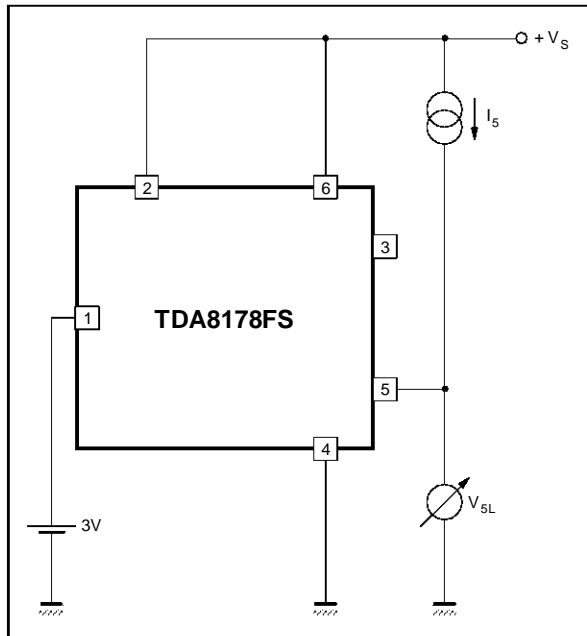


Figure 1d : Measurement of V_5

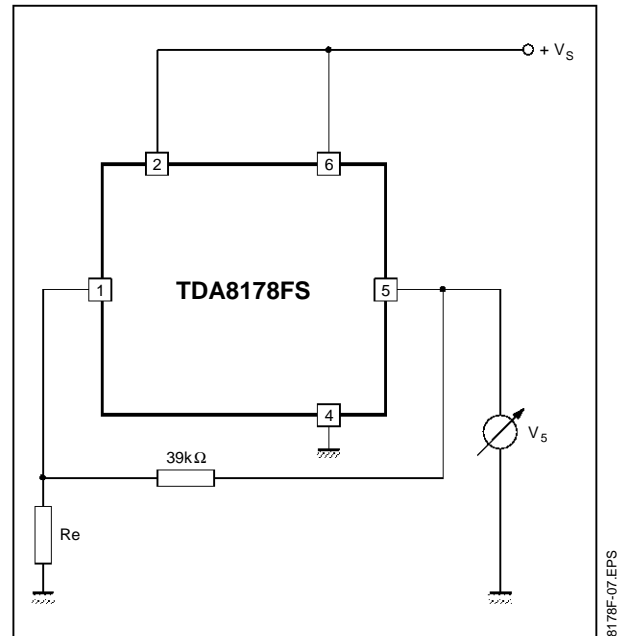
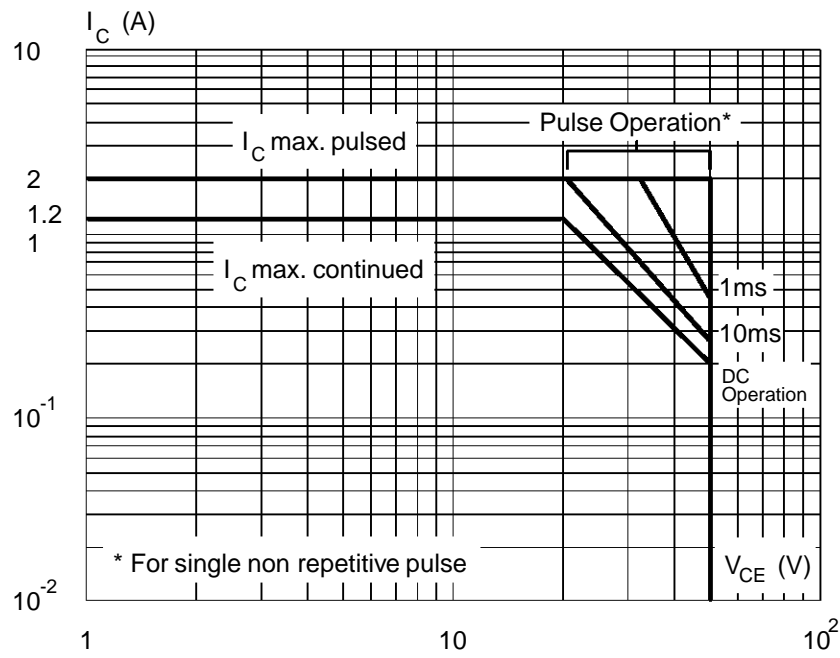


Figure 2 : SOA of Each Output Power Transistor at $T_A = 25^\circ\text{C}$



8178F-08.EPS

