

STK465

Thick Film Hybrid IC
30W min. 2-channel AF power amplifier
(2 power supplies)

Maximum Ratings at $T_a=25^\circ\text{C}$

Maximum Supply Voltage	V_{CCmax}	± 41	V
Operating Case Temperature	T_C	105	$^\circ\text{C}$
Storage Temperature	T_{stg}	-30 to +105	$^\circ\text{C}$
Allowable Load Shorting Time	t_s	$V_{CC}=\pm 28\text{V}, P_O=30\text{W},$ $R_L=8\text{ohm}, f=50\text{Hz}$	2 sec

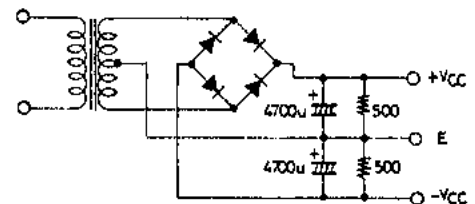
Recommended Operation Condition at $T_a=25^\circ\text{C}$

Recommended Supply Voltage	V_{CC}	± 28	V
Load Resistance	R_L	8	ohm

Operation Characteristics at $T_a=25^\circ\text{C}, V_{CC}=\pm 28\text{V}, R_L=8\text{ohm}, R_g=600\text{ohm}, V_G=40\text{dB}$, specified test circuit (based on application circuit example).

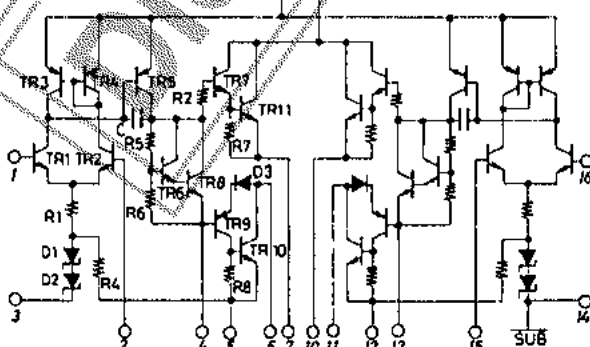
			min	typ	max	unit
Quiescent Current	I_{CCO}	$V_{CC}=\pm 34\text{V}$	20	40	120	mA
Output Power	$P_O(1)$	THD=0.1%, $f=20$ to 20k Hz	30			W
	$P_O(2)$	$V_{CC}=\pm 25\text{V}$, THD=0.2%, $f=1\text{kHz}, R_L=4\text{ohm}$	40			W
Total Harmonic Distortion	THD	$P_O=1\text{W}$				%
Frequency Response	f	$P_O=1\text{W}$	10 to 100k			Hz
Input Resistance	R_i	$P_O=1\text{W}$	32k			ohm
Output Noise Voltage	V_{NO}	$V_{CC}=\pm 34\text{V}$			1.2mV _{rms}	
Output Center Voltage	V_N	$V_{CC}=\pm 34\text{V}$	-70	0	+70	mV

- (Note). Unless otherwise specified for the power supply at the time of test, use the constant voltage power supply.
- When testing the available time of load shorted and output noise voltage, use the specified transformer as shown left.
 - The output noise voltage is the peak value on the mean value indicating rms reading (VTVM). For AC power supply, use the AC stabilized power supply (50Hz) to avoid influence of flicker noise of AC primary.

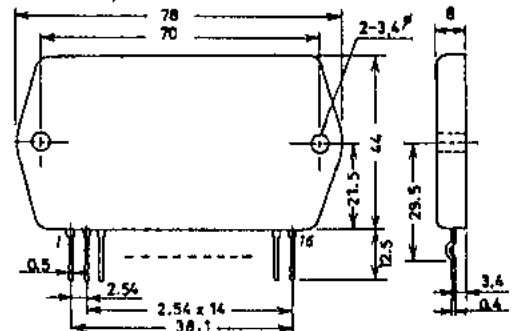


Specified transformer power supply
(Equivalent to Sansui RP-25)

Equivalent Circuit



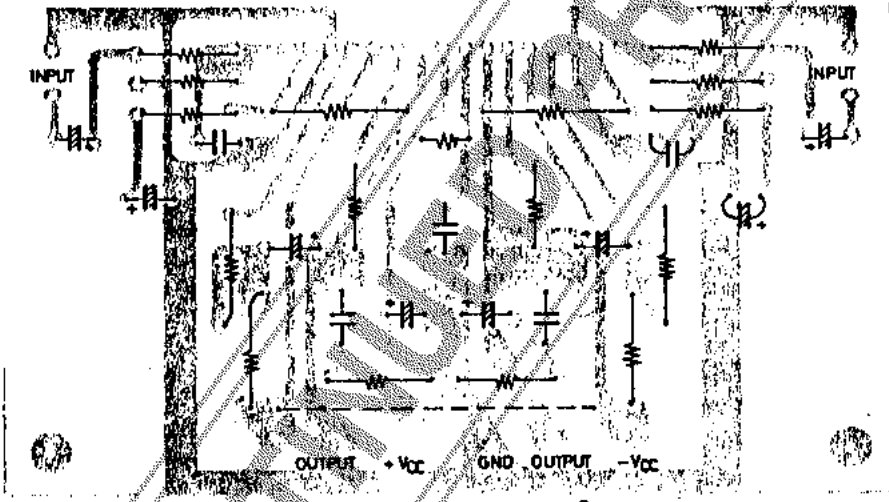
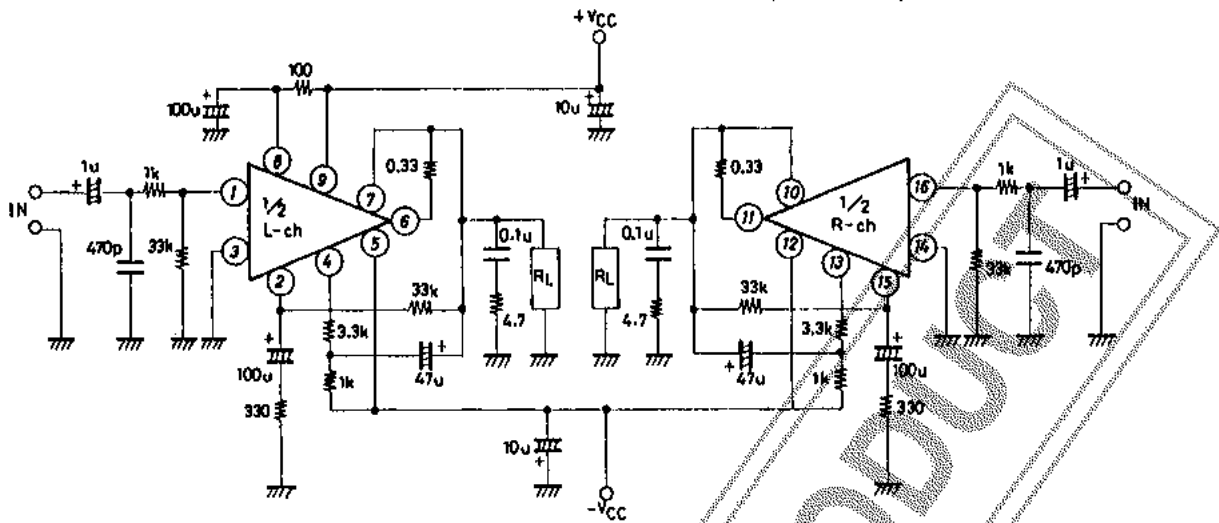
Case Outline 4016
(unit:mm)



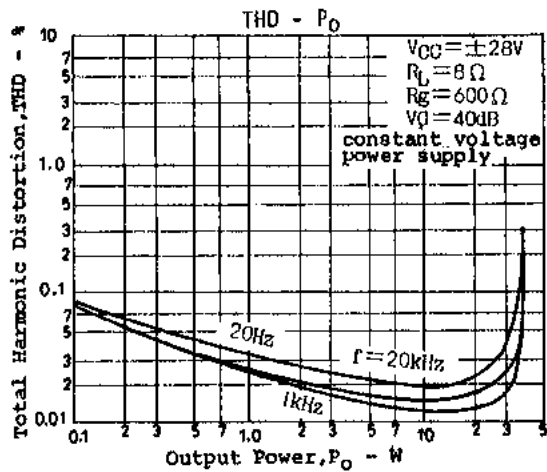
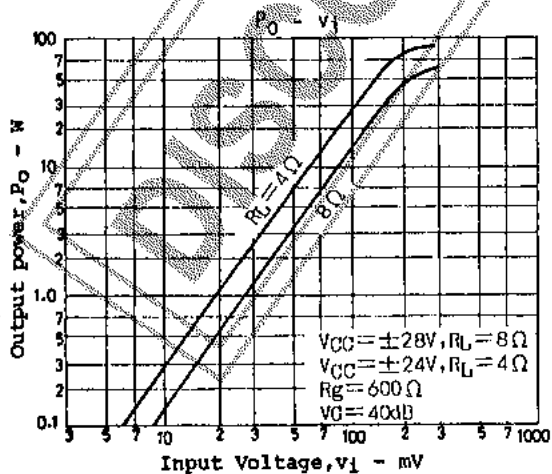
These specifications are subject to change without notice.

TOKYO SANYO ELECTRIC CO., LTD. SEMICONDUCTOR DIVISION
15-13, 6-CHOME, SOTOKANDA, CHIYODA-KU, TOKYO, 101 JAPAN

Application circuit example: 30W min. 2-channel AF power amplifier



Printed pattern example (100 x 55mm², bottom view)



Information furnished by SANYO is believed to be accurate and reliable. However, no responsibility is assumed by SANYO for its use; nor for any infringements of patents or other rights of third parties which may result from its use, and no license is granted by implication or otherwise under any patent or patent rights of SANYO.