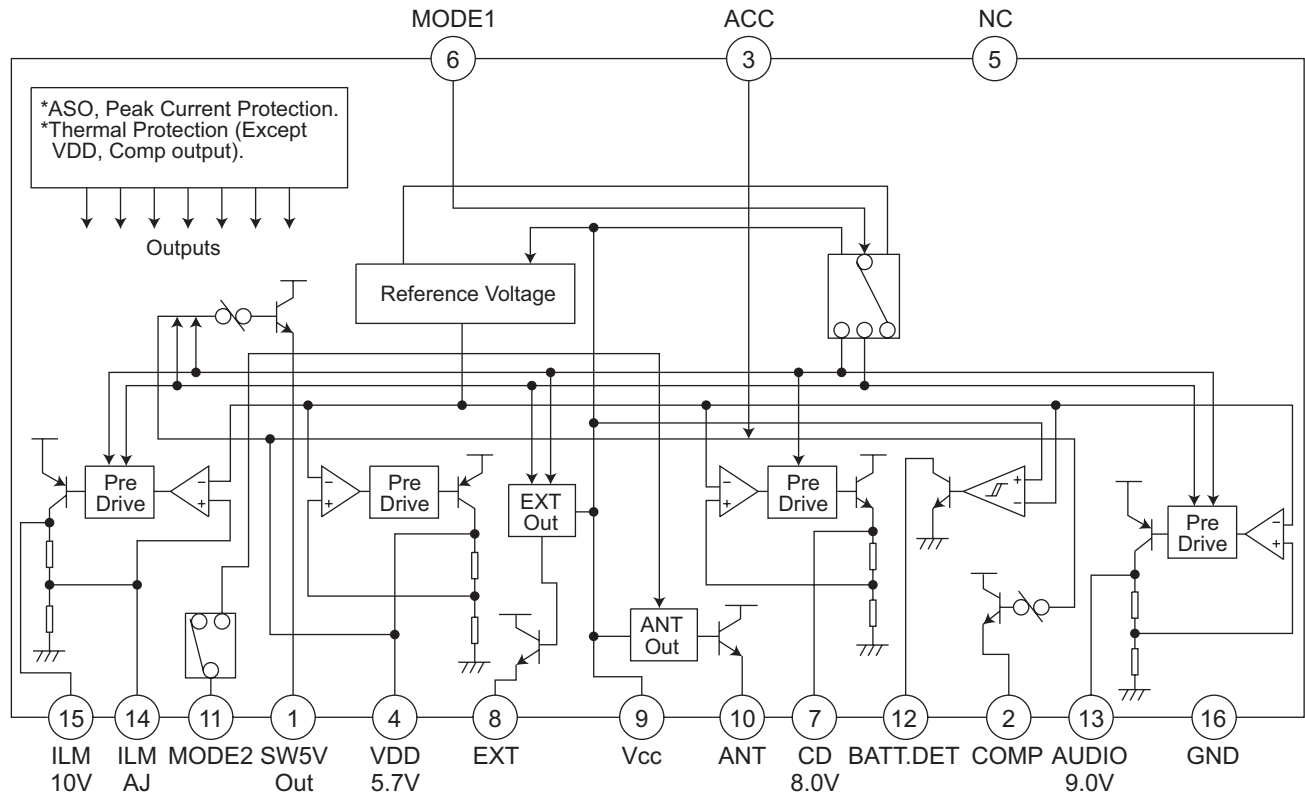


## 4.2 AN80T07 (IC901) : Regulator

- Block diagram



- Pin function

Pin No.	Symbol	Function
1	SW5V Output	When Mode 1 pin is "M", "H" SW output is VDD -0.7V (Io=100mA min).
2	COMP Output	When ACC input pin is "H" COMP Output is VDD -0.7V (Io=100mA min).
3	ACC Input	L: COMP Output OFF and H: COMP Output ON
4	VDD Output	5.7V Output voltage for a microcontroller (Io=100mA min).
5	NC	NC pin
6	MODE1	3 Input "L", "M", "H" control pin
7	CD Output	When Mode 1 pin is "H" CD output is 8V (Io=1200mA min).
8	EXT Output	When Mode 1 pin is "M", "H" EXT output is Vcc-1.0V (Io=300mA min).
9	VCC	Connected to car BACKUP Power supply.
10	ANT Output	When Mode 2 pin is "H" ANT output is Vcc-1.0V (Io=300mA).
11	MODE2	L: ANT Output OFF and H: ANT Output ON
12	BATT.DET	NPN Transistor open collector Output (When battery is lower then 9V "L")
13	Audio Output	When Mode 1 pin is "M", "H" Audio output is 9V (Io=500mA min).
14	ILM AJ	ILM (Illumination) Output adjustable pin.
15	ILM(Illumination) Output	When Mode 1 pin is "M", "H" ILM output is 10V (Io=300mA min).
16	GND	Connected to the IC substrate.