

# AN5650

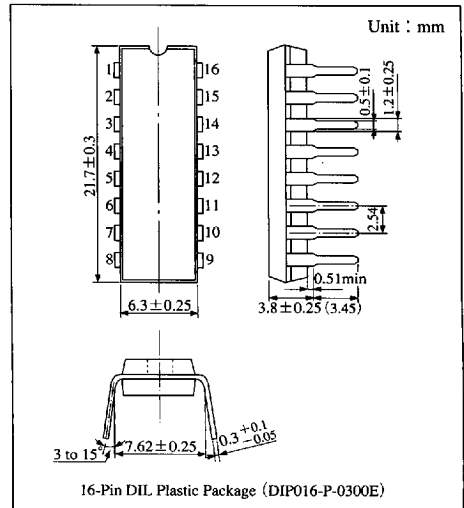
## Synchronous Signal Processing IC for Color TV

### Overview

The AN5650 is an integrated circuit designed for color TV synchronous signal processing circuit.

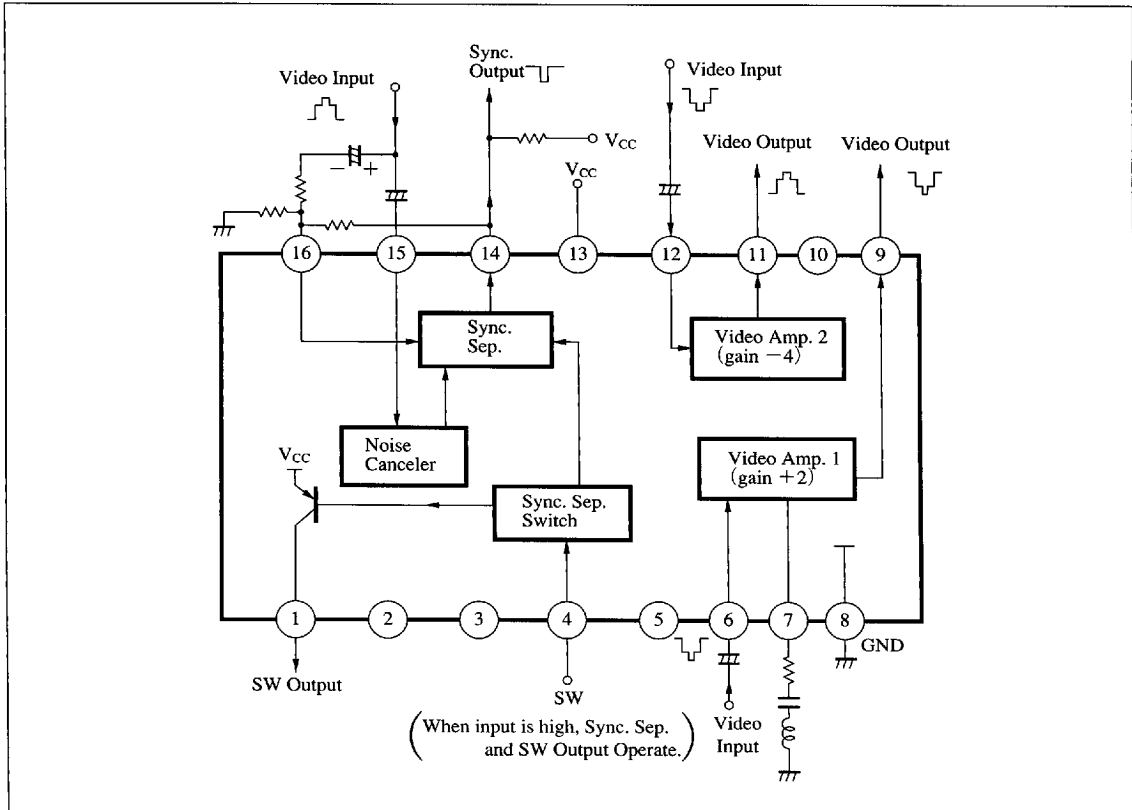
### Features

- Built-in video-signal amplifier circuit.
- Highly stable sync. separation circuit against noise.
- Built-in synchronous signal output-switching circuit.



ICs for TV

### Block Diagram



6932852 0014394 T93

**Panasonic**