



APPLICATION

This Line Output Power Transformer series has been developed to provide the required scanning amplitude and E.H.T. for the high-end 90° CTV's and 110° CTV's up to 28" 4:3 size.

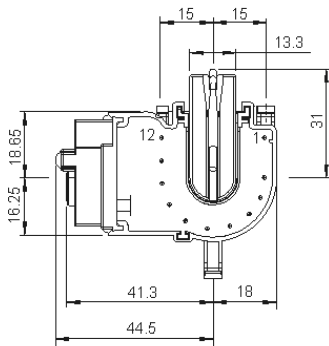
The external connections are made by 12 pins which are directly solderable to the PCB.

The integrated focus potentiometer is internally grounded.

A special design allow to keep a very compact size of the transformer.

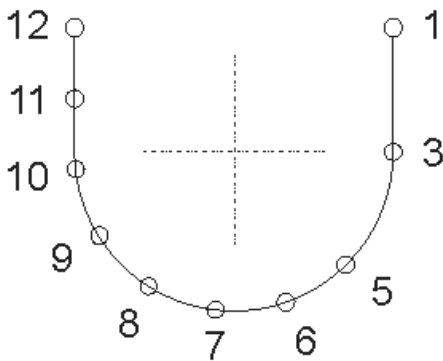
This series is designed in order to meet International Safety Standards.

MECHANICAL DIMENSIONS (mm)

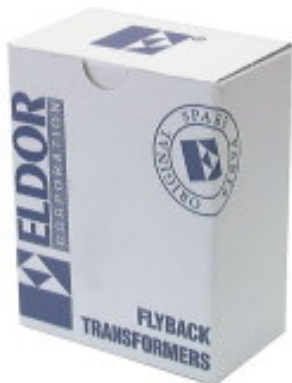


SCHEMATIC DIAGRAM

FOOTPRINT (copper side)



PACKAGING (single box)



WxLxH (mm) 100x60x128