

## ELECTRONIC VOLUME CONTROL IC

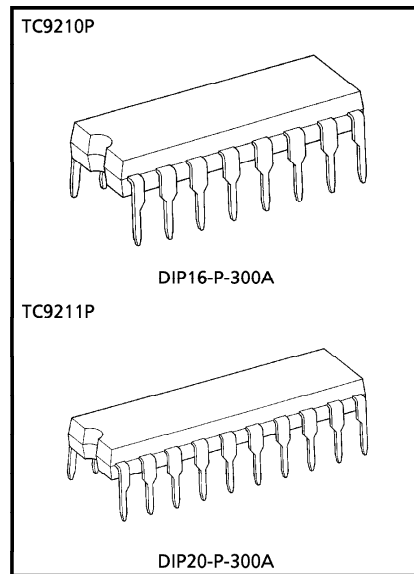
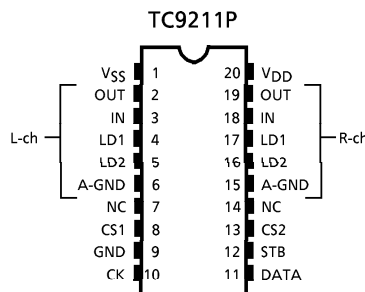
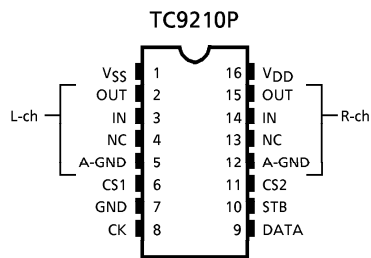
TC9210P and TC9211P are electronic volume control ICs developed for use in audio equipment such as home stereo sets.

The volume, balance and loudness circuits can be controlled by serial data which are input externally.

### FEATURES

- Forty-level volume control in 2dB steps from 0dB to 78dB,  $\infty$  dB.
- The volume circuit features 2 built-in channels which can be controlled independently, thus controlling balance.
- TC9211P features a built-in loudness circuit (20dB tap).
- Single and dual power supply operation.
- Chip select input allows control of up to four of these chips on the same bus.
- Polysilicon resistors enables low-distortion, high-performance volume systems.

### PIN CONNECTION

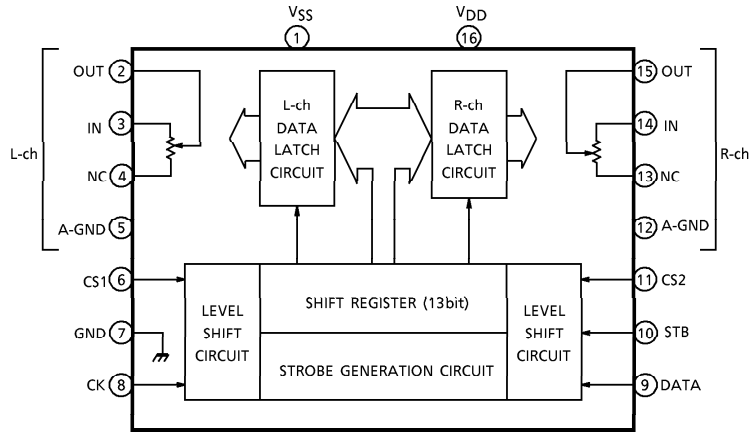


Weight DIP16-P-300A : 1.0g (Typ.)  
DIP20-P-300A : 1.4g (Typ.)

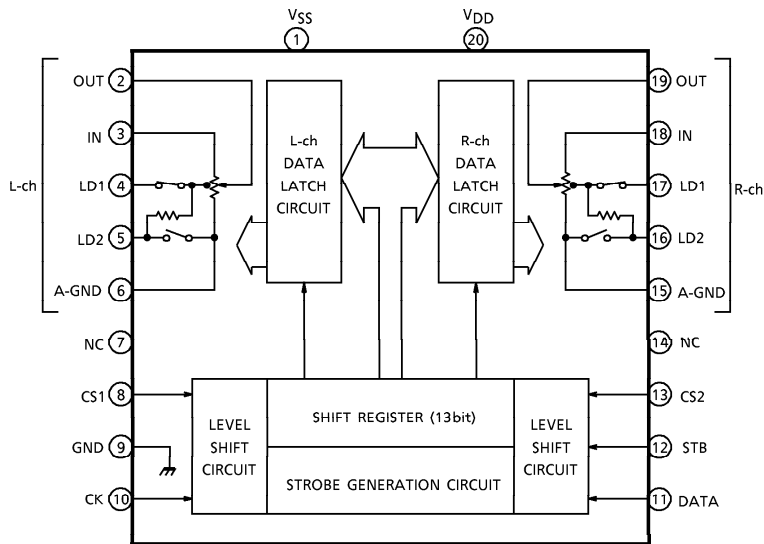
© The information contained herein is presented only as a guide for the applications of our products. No responsibility is assumed by TOSHIBA CORPORATION for any infringements of intellectual property or other rights of the third parties which may result from its use. No license is granted by implication or otherwise under any intellectual property or other rights of TOSHIBA CORPORATION or others.

© These TOSHIBA products are intended for use in general commercial applications (office equipment, communication equipment, measuring equipment, domestic appliances, etc.), please make sure that you consult with us before you use these TOSHIBA products in equipment which requires extraordinarily high quality and/or reliability, and in equipment which may involve life threatening or critical application, including but not limited to such uses as atomic energy control, airplane or spaceship instrumentation, traffic signals, medical instrumentation, combustion control, all types of safety devices, etc. TOSHIBA cannot accept and hereby disclaims liability for any damage which may occur in case the TOSHIBA products are used in such equipment or applications without prior consultation with TOSHIBA.

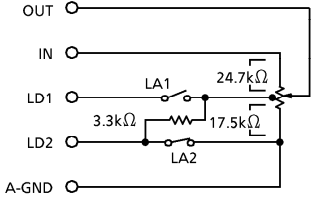
**BLOCK DIAGRAM (TC9210P)**



**BLOCK DIAGRAM (TC9211P)**



**PIN FUNCTION NUMBERS IN PARENTHESES APPLY TO TC9210P**

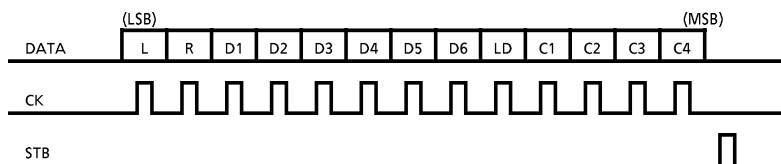
PIN NUMBER	SYMBOL	PIN NAME	FUNCTION AND OPERATION	NOTE										
1 ( 1 )	V <sub>SS</sub>	Negative power supply pin	Dual power supply $V_{DD} = 6.0 \sim 17V$ $GND = 0V$ $V_{SS} = -6.0 \sim -17V$  Single power supply $V_{DD} = 6.0 \sim 18V$ $GND = V_{SS} = 0V$	—										
9 ( 7 )	GND	Digital ground pin												
20 ( 16 )	V <sub>DD</sub>	Positive power supply pin												
2 ( 2 )	L-OUT	Volume output pins	• Volume circuit (TC9211P) 	—										
19 ( 15 )	R-OUT													
3 ( 3 )	L-IN	Volume input pins												
18 ( 14 )	R-IN													
4 ( — )	L-LD1	Tap output pins for loudness			<table border="1" data-bbox="782 840 1042 949"> <tr> <td></td> <td>LA1</td> <td>LA2</td> </tr> <tr> <td>Loudness "ON"</td> <td>ON</td> <td>OFF</td> </tr> <tr> <td>Loudness "OFF"</td> <td>OFF</td> <td>ON</td> </tr> </table>		LA1	LA2	Loudness "ON"	ON	OFF	Loudness "OFF"	OFF	ON
	LA1					LA2								
Loudness "ON"	ON					OFF								
Loudness "OFF"	OFF					ON								
17 ( — )	R-LD1													
5 ( — )	L-LD2													
16 ( — )	R-LD2													
6 ( 5 )	L-A-GND	Analog ground pins												
15 ( 12 )	R-A-GND													
8 ( 6 )	CS1	Chip select input pins	Switching chip select code allows control of up to 4 chips simultaneously on one bus.	—										
13 ( 11 )	CS2													
10 ( 8 )	CK	Clock input pin	Clock input for data transfer	Low threshold value input pins										
11 ( 9 )	DATA	Data input pin	Serial data input for setting volume											
12 ( 10 )	STB	Strobe input pin	Strobe input for writing data											
7, 14 (4, 13)	NC	Not connected		—										

**OPERATIONAL DESCRIPTION**

1. Setting volume values (attenuation)

The volume values are set using 13bit serial data.

- Data format



- 1) L is left-channel select data ; R is right-channel select data.  
When L = 1, left-channel volume is set ; when R = 1, right-channel volume is set. (When R = L = 1, both channel volumes are set simultaneously).
- 2) LD is loudness setting data. When LD = 1, loudness is on. (Only for TC9211P. Set to 0 for TC9210P.)
- 3) D1-D6 are volume value setting data.

VOLUME VALUE	D1	D2	D3	D4	D5	D6
0dB	0	0	0	0	0	0
2	1	0	0	0	0	0
4	0	1	0	0	0	0
6	1	1	0	0	0	0
8	0	0	1	0	0	0
10	1	0	1	0	0	0
12	0	1	1	0	0	0
14	1	1	1	0	0	0
16	0	0	0	1	0	0
18	1	0	0	1	0	0
20	0	1	0	1	0	0
22	1	1	0	1	0	0
24	0	0	1	1	0	0
26	1	0	1	1	0	0
28	0	1	1	1	0	0
30	1	1	1	1	0	0
32	0	0	0	0	1	0
34	1	0	0	0	1	0
36	0	1	0	0	1	0
38	1	1	0	0	1	0

VOLUME VALUE	D1	D2	D3	D4	D5	D6
40dB	0	0	1	0	1	0
42	1	0	1	0	1	0
44	0	1	1	0	1	0
46	1	1	1	0	1	0
48	0	0	0	1	1	0
50	1	0	0	1	1	0
52	0	1	0	1	1	0
54	1	1	0	1	1	0
56	0	0	1	1	1	0
58	1	0	1	1	1	0
60	0	1	1	1	1	0
62	1	1	1	1	1	0
64	0	0	0	0	0	1
66	1	0	0	0	0	1
68	0	1	0	0	0	1
70	1	1	0	0	0	1
72	0	0	1	0	0	1
74	1	0	1	0	0	1
76	0	1	1	0	0	1
78	1	1	1	0	0	1
∞	0	0	0	1	0	1

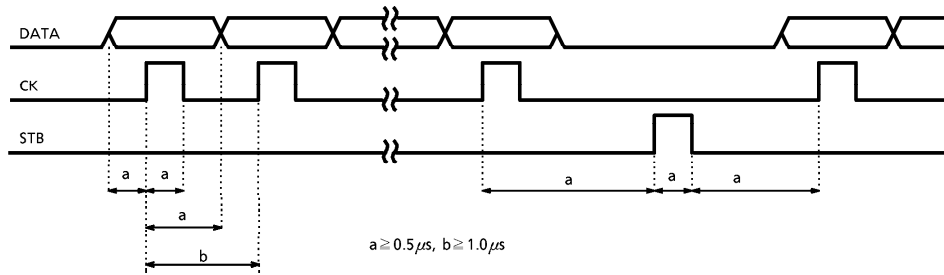
(Note) Note that if data other than those listed above are input, volume values are undefined.

- 4) C1-C4 are chip select code data.  
Code data are set according to CS1 and CS2 input.

CS1	CS2	C1	C2	C3	C4
L	L	0	0	1	1
H	L	1	0	1	1
L	H	0	1	1	1
H	H	1	1	1	1

2. Serial data timing

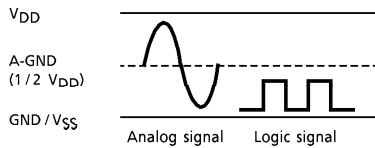
Input CK, DATA and STB according to the following timing.



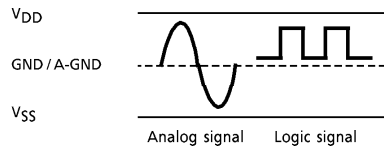
3. Single and dual power supply operation

TC9210P and TC9211P can operate with single or dual power supplies.  
With single or dual power supply, serial data logic level can be 0-5V.

- Single power supply operation



- Dual power supply operation



**MAXIMUM RATINGS** (Ta = 25°C)

CHARACTERISTIC	SYMBOL	RATING	UNIT
Power Supply Voltage (1)	V <sub>DD</sub> -V <sub>SS</sub>	-0.3~36	V
Power Supply Voltage (2)	V <sub>DD</sub> -GND	-0.3~20	V
GND Input Voltage	V <sub>IN</sub> (1)	-0.3~V <sub>DD</sub> +0.3	V
V <sub>SS</sub> Input Voltage	V <sub>IN</sub> (2)	V <sub>SS</sub> -0.3~V <sub>DD</sub> +0.3	V
Power Dissipation	P <sub>D</sub>	300	mW
Operating Temperature	T <sub>opr</sub>	-40~85	°C
Storage Temperature	T <sub>stg</sub>	-65~150	°C

**ELECTRICAL CHARACTERISTICS** (Unless otherwise specified, V<sub>DD</sub> = 15V, V<sub>SS</sub> = -15V, GND = 0V, Ta = 25°C)

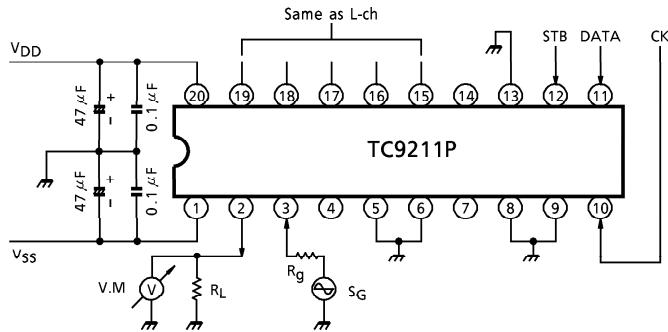
CHARACTERISTIC	SYMBOL	TEST CIRCUIT	TEST CONDITION	MIN.	TYP.	MAX.	UNIT	
Operating Supply Voltage (1)	V <sub>DD</sub> -V <sub>SS</sub>	—	Dual power supply operation	12	~	34	V	
Operating Supply Voltage (2)	V <sub>DD</sub> -GND	—	Single power supply operation	6.0	~	18	V	
Operating Supply Current	I <sub>DD</sub>	1	No load, No input	—	0.5	1.0	mA	
Input Voltage	"H" Level	V <sub>IH</sub> (1)	CK, DATA, STB terminal V <sub>DD</sub> = 6.0~18V	4.0	~	V <sub>DD</sub>	V	
	"L" Level	V <sub>IL</sub> (1)		GND	~	1.0		
Input Voltage	"H" Level	V <sub>IH</sub> (2)	CS1, CS2 terminal	V <sub>DD</sub> × 0.7	~	V <sub>DD</sub>	V	
	"L" Level	V <sub>IL</sub> (2)		GND	~	V <sub>DD</sub> × 0.3		
Input Current	"H" Level	I <sub>IH</sub>	CK, DATA, STB, CS1, CS2 terminal	V <sub>IH</sub> = 15V	-1.0	~	1.0	μA
	"L" Level	I <sub>IL</sub>		V <sub>IL</sub> = 0V	-1.0	~	1.0	
Operating Frequency Range	f <sub>op</sub>	—	CK, DATA, STB terminal	0	~	1.0	MHz	
Minimum Clock Frequency	T <sub>ck</sub>	—		0.5	—	—	μs	
Volume Resistance Value	R <sub>VR</sub>	—	Loudness "OFF"	18.5	27.5	36.5	kΩ	
Step Deviation	ΔV <sub>R</sub>	—	Volume step deviation	-1.2	~	1.2	dB	
Analog Switch ON Resistance	R <sub>ON</sub>	—	Internal analog switch	—	350	600	Ω	
Analog Switch OFF Leak Current	I <sub>OFF</sub>			-0.1	~	0.1	μA	
Total Harmonic Distortion	THD	1	f <sub>IN</sub> = 1kHz V <sub>IN</sub> = 1V <sub>rms</sub> R <sub>g</sub> = 600Ω, R <sub>L</sub> = 100kΩ BW = 20Hz~20kHz	—	0.005	—	%	
Maximum Attenuation	ATT <sub>MAX</sub>			—	100	—	dB	
Output Noise Voltage	V <sub>N</sub>			—	1.0	—	μV <sub>rms</sub>	
Cross Talk	C-T			—	100	—	dB	

TC9210P - 6

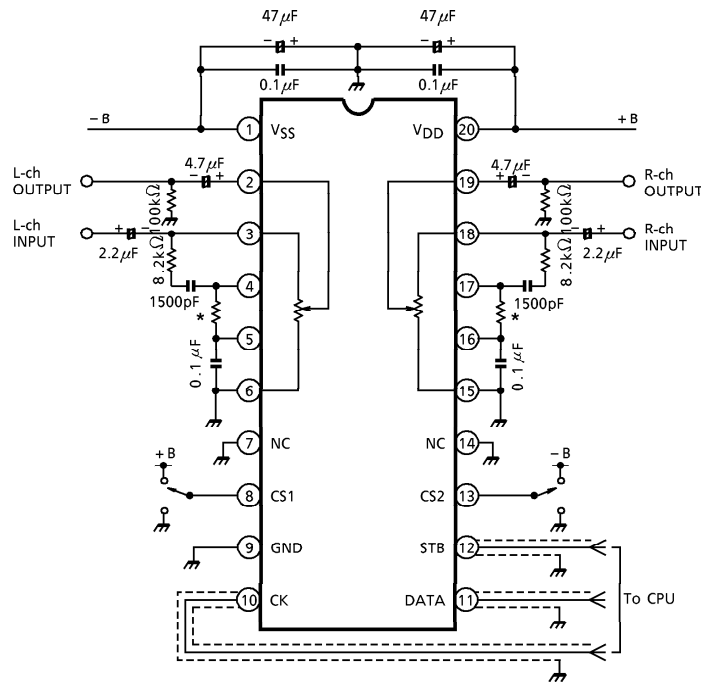
1994 - 10 - 24

**TOSHIBA CORPORATION**

**TEST CIRCUIT 1 ( $I_{DD}/THD/ATT_{MAX}/V_N/C\cdot T$ )**



**APPLICATION CIRCUIT (TC9211P)**



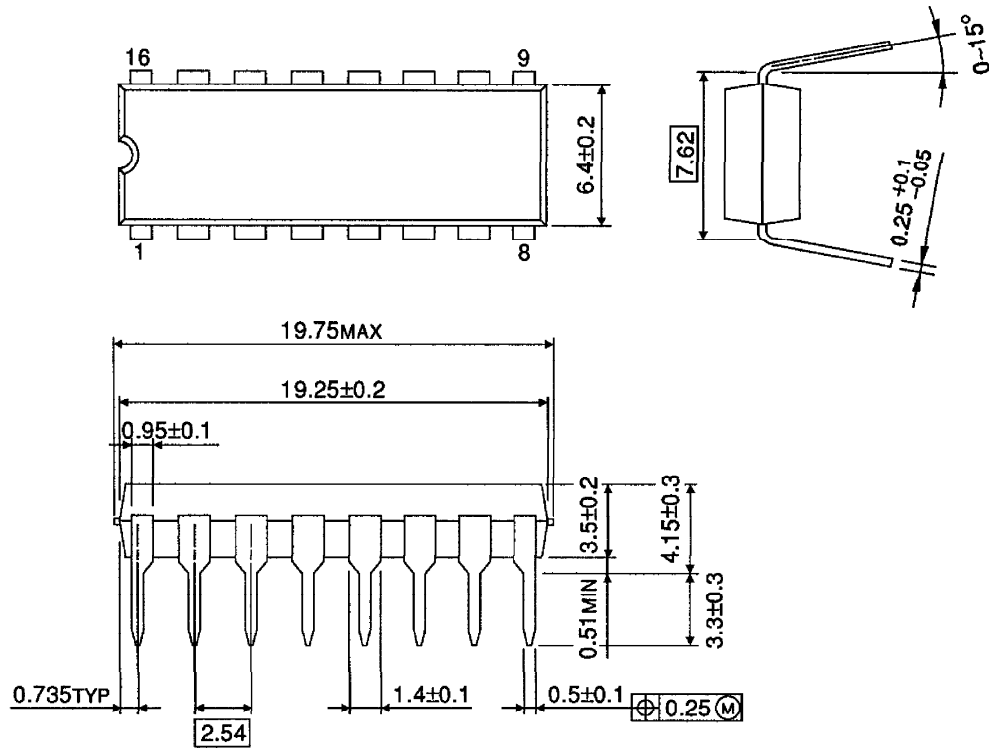
\* For preventing noise when loudness is turned on or off.  $R = 220k\Omega \sim 470k\Omega$

(Note) High-frequency digital signals are input to pins CK, DATA and STB. Since these signals may cause noise in analog circuits, either use shield wire for CK, DATA, and STB signal lines, or design the pattern so that these signal lines are protected by the ground line.

TC9210P - 7
1994 - 10 - 24
<b>TOSHIBA CORPORATION</b>

**OUTLINE DRAWING**  
DIP16-P-300A

Unit : mm



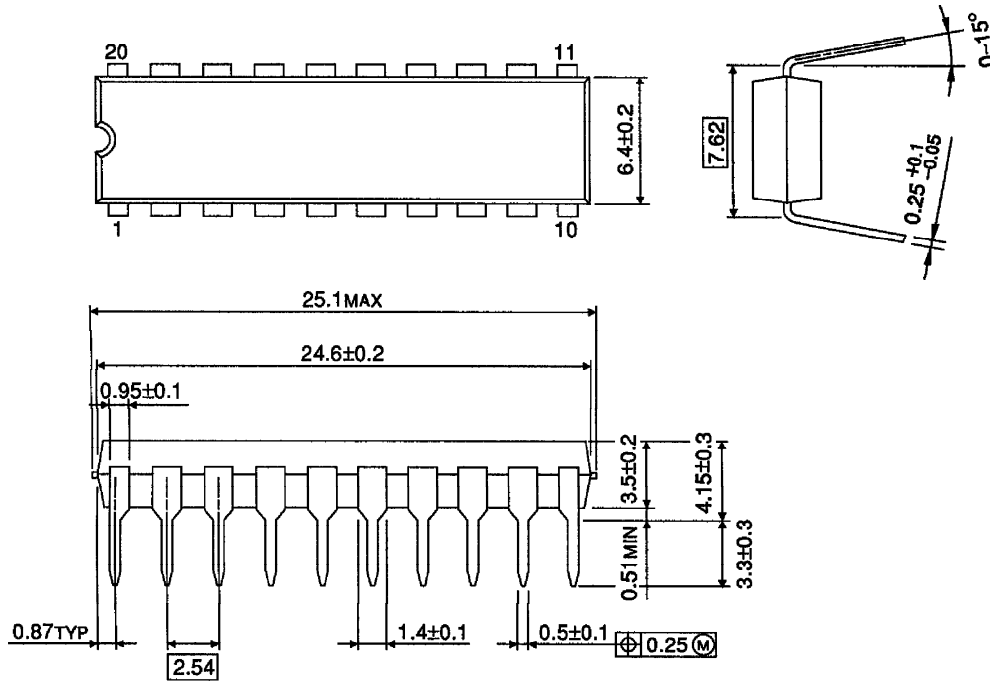
Weight : 1.0g (Typ.)

TC9210P - 8
1994 - 10 - 24
<b>TOSHIBA CORPORATION</b>



**OUTLINE DRAWING**  
DIP20-P-300A

Unit : mm



Weight : 1.4g (Typ.)

TC9210P - 9\*

1994 - 10 - 24

**TOSHIBA CORPORATION**