

TOSHIBA BIPOLAR LINEAR INTEGRATED CIRCUIT SILICON MONOLITHIC

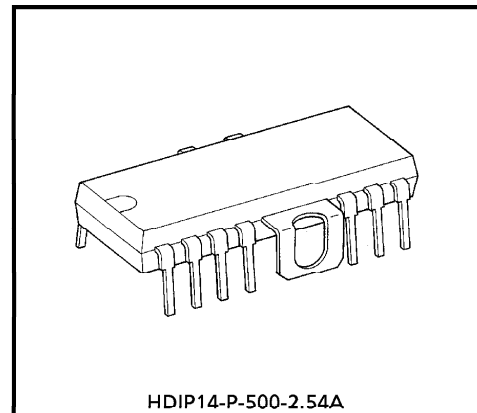
TA7279P, TA7279AP

DUAL BRIDGE DRIVER

The TA7279P, TA7279AP are dual bridge driver designed for DC motor rotation control.

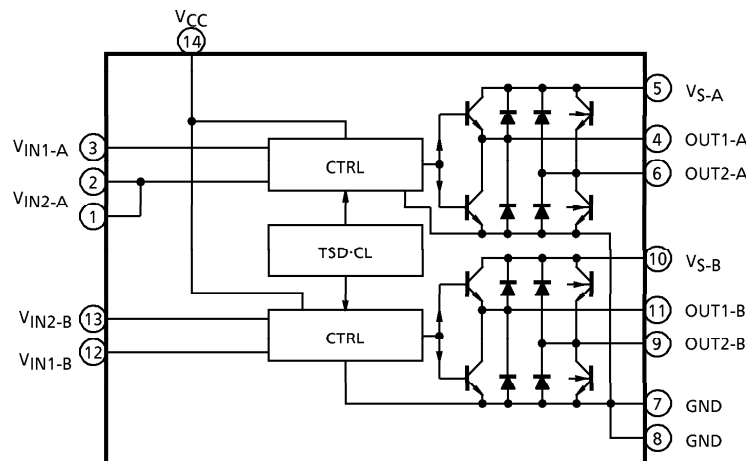
FEATURES

- Wide Range of Operating Voltage
: $V_{CC(opr.)} = 6\sim 18V$ (P, AP),
 $V_S(opr.) = 0\sim 16V$ (P) / $= 0\sim 18V$ (AP)
- Output Current Up to 1.0A (AVE.), 3.0A (PEAK)
- Built-in Thermal Shut Down and Current Limiter
- Input Hysteresis for Stable Operation



Weight : 3.00g (Typ.)

BLOCK DIAGRAM



961001EBA1

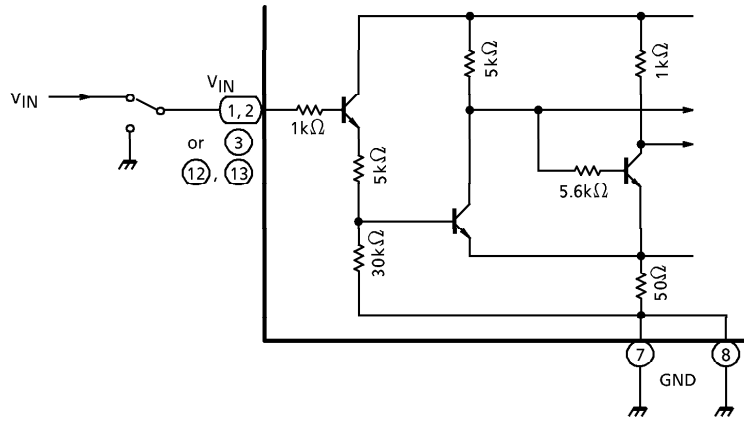
- TOSHIBA is continually working to improve the quality and the reliability of its products. Nevertheless, semiconductor devices in general can malfunction or fail due to their inherent electrical sensitivity and vulnerability to physical stress. It is the responsibility of the buyer, when utilizing TOSHIBA products, to observe standards of safety, and to avoid situations in which a malfunction or failure of a TOSHIBA product could cause loss of human life, bodily injury or damage to property. In developing your designs, please ensure that TOSHIBA products are used within specified operating ranges as set forth in the most recent products specifications. Also, please keep in mind the precautions and conditions set forth in the TOSHIBA Semiconductor Reliability Handbook.
- The products described in this document are subject to foreign exchange and foreign trade control laws.
- The information contained herein is presented only as a guide for the applications of our products. No responsibility is assumed by TOSHIBA CORPORATION for any infringements of intellectual property or other rights of the third parties which may result from its use. No license is granted by implication or otherwise under any intellectual property or other rights of TOSHIBA CORPORATION or others.
- The information contained herein is subject to change without notice.

PIN FUNCTION

PIN No.	SYMBOL	FUNCTIONAL DESCRIPTION
1	V _{IN2-A}	A-ch input terminal
2	V _{IN2-A}	
3	V _{IN1-A}	A-ch input terminal
4	OUT1-A	A-ch output terminal
5	V _{S-A}	A-ch Motor drive power supply
6	OUT2-A	A-ch output terminal
7	GND	GND terminal
8	GND	
9	OUT2-B	B-ch output terminal
10	V _{S-B}	B-ch Motor drive power supply
11	OUT1-B	B-ch output terminal
12	V _{IN1-B}	B-ch input terminal
13	V _{IN2-B}	B-ch input terminal
14	V _{CC}	Logic power supply

APPLICATION NOTE

(1) Input circuit

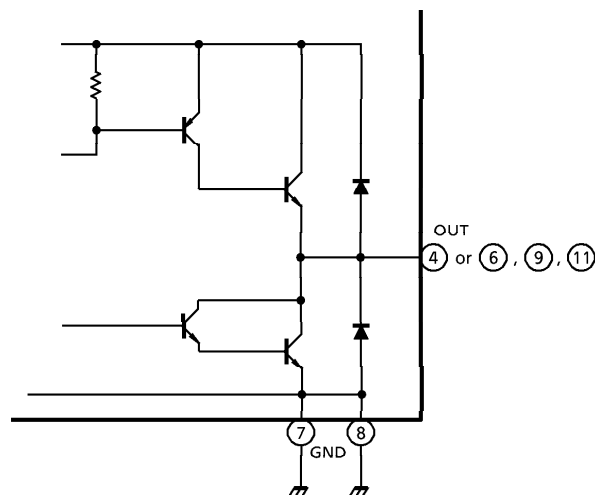


Input terminals of ②, ③, ⑫ and ⑬Pin are all high active type and have a hysteresis.

3μA Typ. of input current is required.

The input circuit is an active high type, as shown in the diagram. When voltage higher than the specified $V_{IN(H)}$ is applied, the output is logic "H". When voltage lower than the specified $V_{IN(L)}$ is applied or if the input is grounded, the output is logic "L". Since the input current I_N flows to the input when logic "H", be careful with the output impedance at the previous step.

(2) Output circuit



FUNCTION

IN1	IN2	OUT1	OUT2	MODE
1	1	L	L	BRAKE
0	1	L	H	CW / CCW
1	0	H	L	CCW / CW
0	0	High Impedance		STOP

MAXIMUM RATINGS (Ta = 25°C)

CHARACTERISTIC		SYMBOL	RATING	UNIT
Supply Voltage	AP	V _{CC} (MAX.)	25	V
	P		20	
Motor Drive Voltage	AP	V _S (MAX.)	25	V
	P		18	
Output Current	PEAK	I _O (PEAK)	3.0	A
	AVE.	I _O (AVE.)	1.0	
Power Dissipation		P _D (Note)	2.3	W
Operating Temperature		T _{opr}	- 30~75	°C
Storage Temperature		T _{stg}	- 55~150	°C

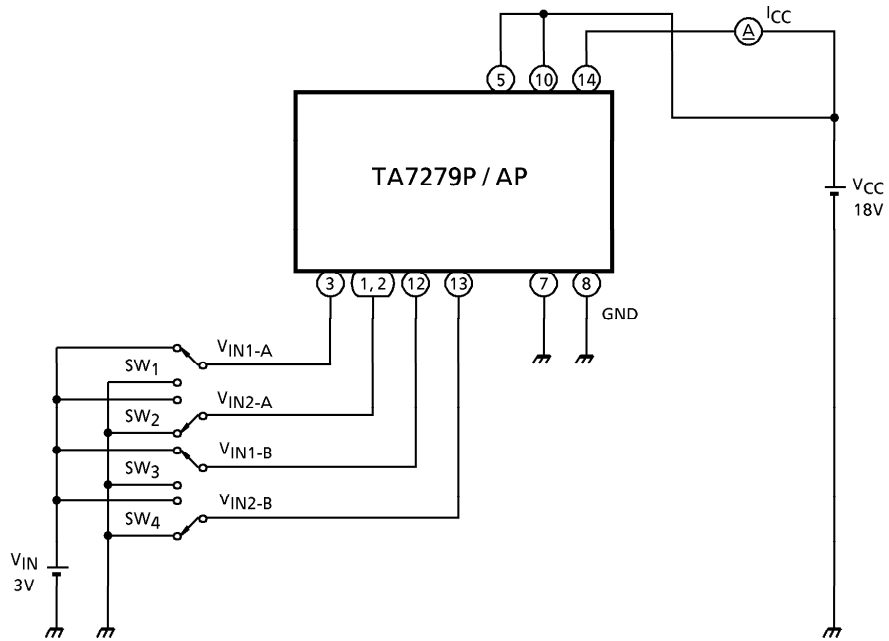
(Note) No heat sink.

ELECTRICAL CHARACTERISTICS (Ta = 25°C)

CHARACTERISTIC		SYMBOL	TEST CIR-CUIT	TEST CONDITION	MIN.	TYP.	MAX.	UNIT
Supply Current		I _{CC1}	1	V _{CC} = 18V, Output off, Stop mode	14	28	41	mA
		I _{CC2}	1	V _{CC} = 18V, Output off, CW / CCW mode	10	29	38	
		I _{CC3}	1	V _{CC} = 18V, Output off, Brake mode	8	20	35	
Input Operating Voltage	1 (High)	V _{IN} (H)	—	T _j = 25°C	3.0	—	V _{CC}	V
	2 (Low)	V _{IN} (L)	—	T _j = 25°C	—	—	0.8	
Input Current		I _{IN}	2	Sink, V _{IN} = 3V	—	3	10	μA
Output Saturation Voltage	Upper	V _{SATU-1}	3	I _O = 0.1A, V _{CC} = V _S = 18V	—	—	1.1	V
	Lower	V _{SATL-1}	3	I _O = 0.1A, V _{CC} = V _S = 18V	—	—	1.0	
	Upper	V _{SATU-2}	3	I _O = 1.0A, V _{CC} = V _S = 18V	—	1.2	1.5	
	Lower	V _{SATL-2}	3	I _O = 1.0A, V _{CC} = V _S = 18V	—	1.05	1.4	
Leakage Current	Upper	I _{LU}	—	V _S = 25V	—	—	50	μA
	Lower	I _{LL}	—	V _S = 25V	—	—	50	
Diode Forward Drop	Upper	V _{FU}	4	I _F = 1A	—	2.5	—	V
	Lower	V _{FL}	4	I _F = 1A	—	1.3	—	

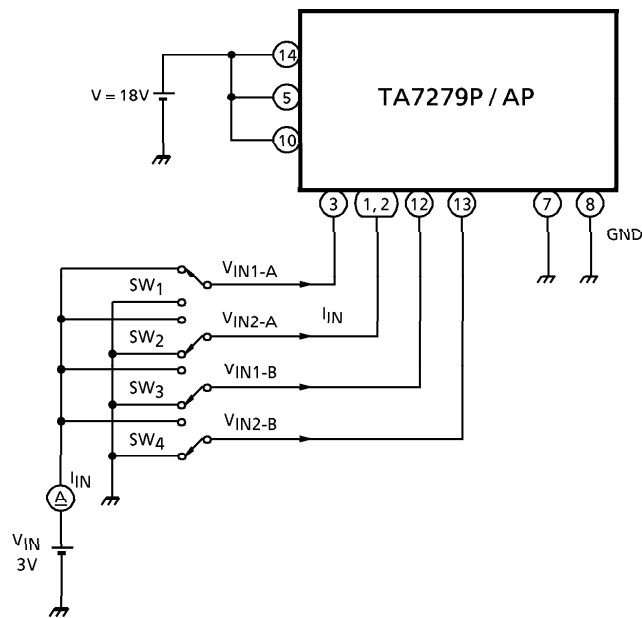
TEST CIRCUIT 1.

$I_{CC1, 2, 3}$



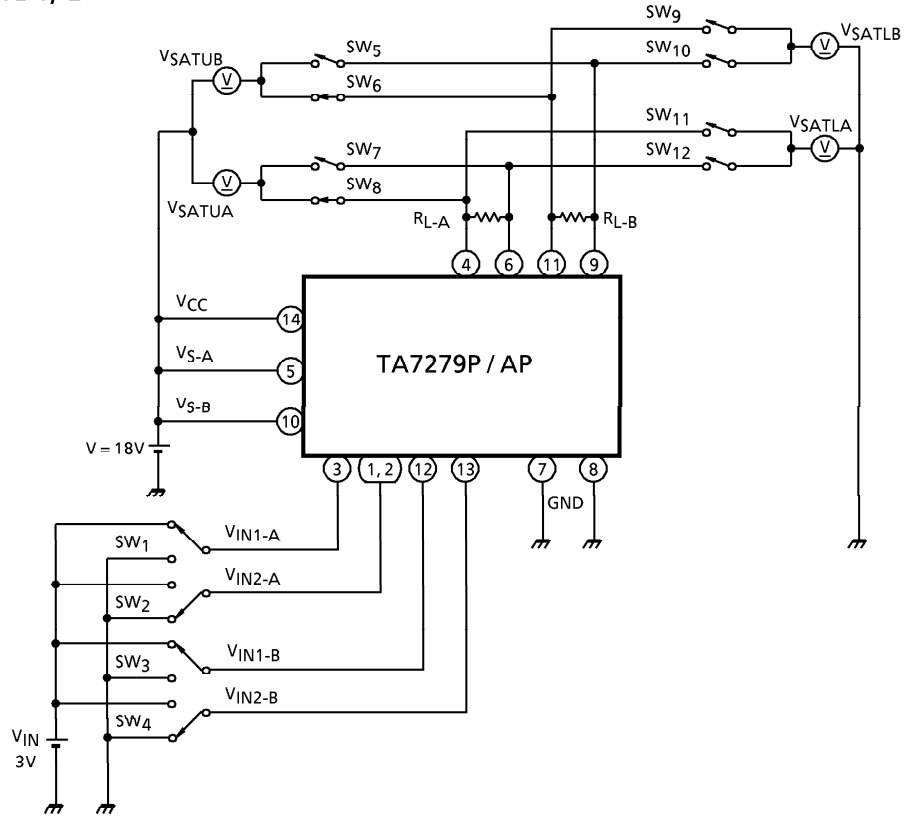
TEST CIRCUIT 2.

$I_{IN(H), (L)}$



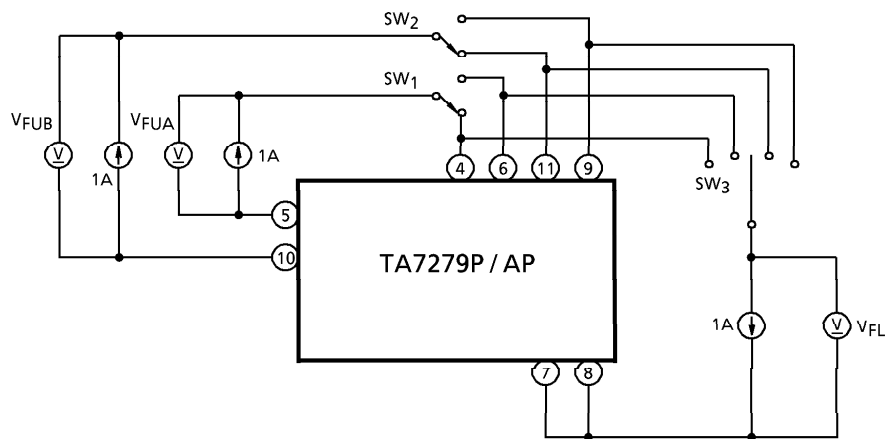
TEST CIRCUIT 3.

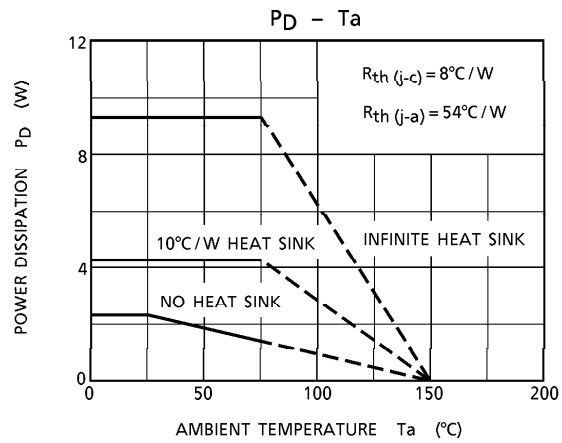
$V_{SATU-1, 2} / V_{SATL-1, 2}$



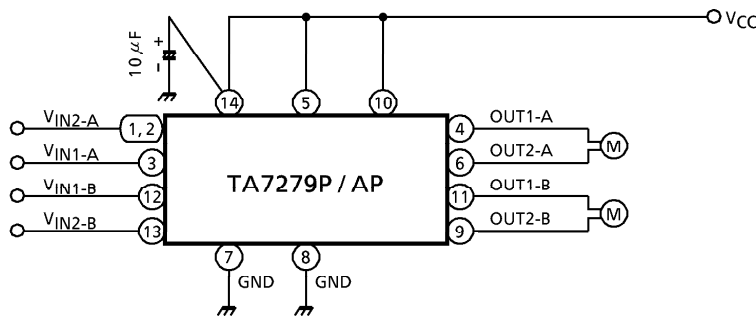
TEST CIRCUIT 4.

$V_{FU, L}$

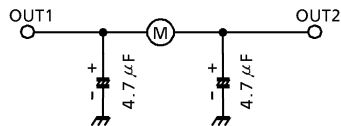




APPLICATION CIRCUIT



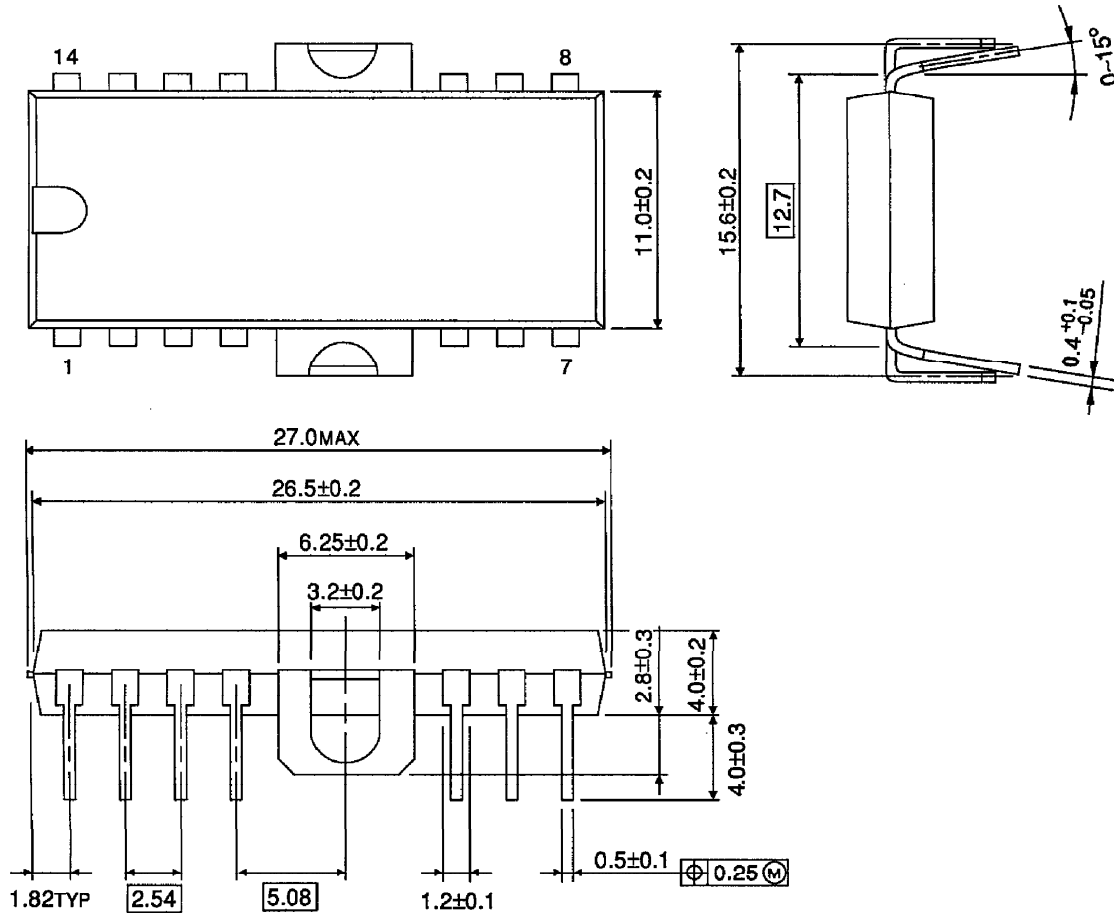
Problems may result if a capacitor is inserted in parallel to the motor as a measure against noise. If measures against noise are necessary, connect capacitors as shown in the diagram below. A larger bypass capacitor between V_{CC} and GND is effective against noise and other problems. (A capacitance higher than 100µF is recommended.)



(Note) Utmost care is necessary in the design of the output line, V_S and GND line since IC may be destroyed due to short-circuit between outputs, air contamination fault, or fault by improper grounding.

OUTLINE DRAWING
HDIP14-P-500-2.54A

Unit : mm



Weight : 3.00g (Typ.)