

Document No.	853-0154
ECN No.	86487
Date of Issue	November 11, 1986
Status	Product Specification
Memory Products	

82S23 82S123

256-bit TTL bipolar PROM

DESCRIPTION

The 82S23 and 82S123 are field programmable, which means that custom patterns are immediately available by following the Signetics Generic I fusing procedure. The 82S23 and 82S123 devices are supplied with all outputs at logical Low. Outputs are programmed to a logic High level at any specified address by fusing a Ni-Cr link matrix.

These devices include on-chip decoding and 1 Chip Enable input for memory expansion. They feature either Open Collector or 3-State outputs for optimization of word expansion in bused organizations.

Ordering information can be found on the following page.

The 82S23 and 82S123 devices are also processed to military requirements for operation over the military temperature range. For specifications and ordering information, consult the Signetics Military Data Handbook.

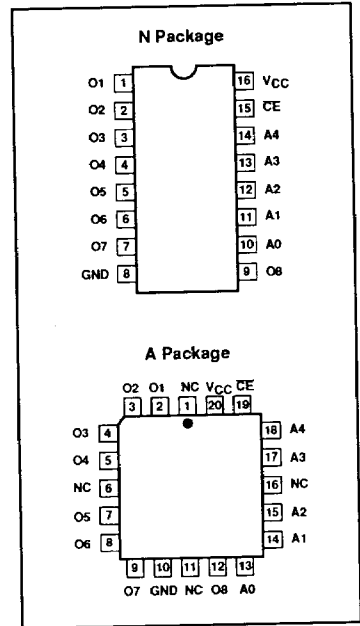
FEATURES

- Address access time: 50ns max
- Power dissipation: 1.3mW/bit typ
- Input loading: -100 μ A max
- On-chip address decoding
- One Chip Enable input
- Output options:
 - N82S23: Open Collector
 - N82S123: 3-State
- No separate fusing pins
- Unprogrammed outputs are Low level
- Fully TTL compatible

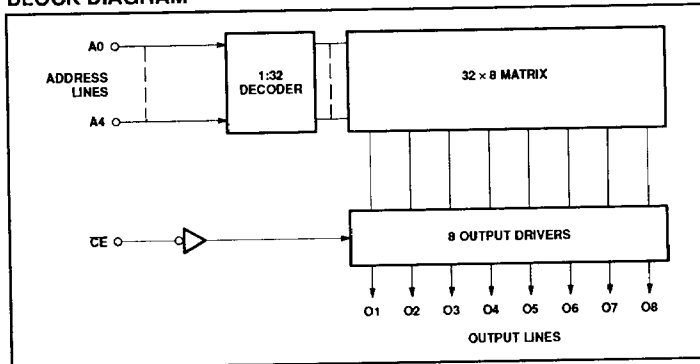
APPLICATIONS

- Prototyping/volume production
- Sequential controllers
- Format conversion
- Hardwired algorithms
- Random logic
- Code conversion

PIN CONFIGURATIONS



BLOCK DIAGRAM



256-bit TTL bipolar PROM (32 × 8)

82S23 / 82S123

ORDERING INFORMATION

DESCRIPTION	ORDER CODE
16-Pin Plastic Dual-In-Line 300mil-wide	N82S23 N, N82S123 N
20-Pin Plastic Leaded Chip Carrier 350mil-square	N82S23 A, N82S123 A

ABSOLUTE MAXIMUM RATINGS

SYMBOL	PARAMETER	RATING	UNIT
V_{CC}	Supply voltage	+7.0	V_{DC}
V_{IN}	Input voltage	+5.5	V_{DC}
V_{OH}	Output voltage High (82S23)	+5.5	V_{DC}
V_O	Output voltage Off-State (82S123)	+5.5	V_{DC}
T_{amb}	Operating temperature range	0 to +75	°C
T_{stg}	Storage temperature range	-65 to +150	°C

DC ELECTRICAL CHARACTERISTICS

 $0^{\circ}\text{C} \leq T_{amb} \leq +75^{\circ}\text{C}$, $4.75\text{V} \leq V_{CC} \leq 5.25\text{V}$

SYMBOL	PARAMETER	TEST CONDITIONS ^{1,2}	LIMITS			UNIT	
			MIN	TYP ³	MAX		
Input voltage							
V_{IL}	Low	$V_{CC} = 4.75\text{V}$	2.0		0.8	V	
V_{IH}	High	$V_{CC} = 5.25\text{V}$					
V_{IC}	Clamp	$I_{IN} = -12\text{mA}$				-1.2	V
Output voltage							
V_{OL}	Low	$CE = \text{Low}$ $I_{OUT} = 16\text{mA}$	2.4		0.45	V	
V_{OH}	High	$I_{OUT} = -2.0\text{mA}$				V	
Input current							
I_{IL}	Low	$V_{IN} = 0.45\text{V}$			-100	μA	
I_{IH}	High	$V_{IN} = 5.5\text{V}$				50	μA
Output current							
I_{OLK}	Leakage (82S23)	$CE = \text{High}, V_{OUT} = 5.5\text{V}$			40	μA	
I_{OZ}	Hi-Z state (82S123)	$CE = \text{High}, V_{OUT} = 5.5\text{V}$				40	μA
		$CE = \text{High}, V_{OUT} = 0.5\text{V}$				-40	μA
I_{OS}	Short circuit (82S123) ⁴	$CE = \text{Low}, V_{OUT} = 0\text{V}, \text{High stored}$	-15		-90	mA	
Supply current⁵							
I_{CC}		$V_{CC} = 5.25\text{V}$			96	mA	
Capacitance							
C_{IN}	Input	$CE = \text{High}, V_{CC} = 5.0\text{V}$ $V_{IN} = 2.0\text{V}$			5	pF	
C_{OUT}	Output	$V_{OUT} = 2.0\text{V}$				8	pF

NOTES:

- Positive current is defined as into the terminal referenced.
- All voltages with respect to network ground terminal.
- Typical values are at $V_{CC} = 5\text{V}$, $T_{amb} = +25^{\circ}\text{C}$.
- Duration of short circuit should not exceed 1 second.
- Measured with all inputs grounded and all outputs open.

256-bit TTL bipolar PROM (32 × 8)

82S23 / 82S123

AC ELECTRICAL CHARACTERISTICS

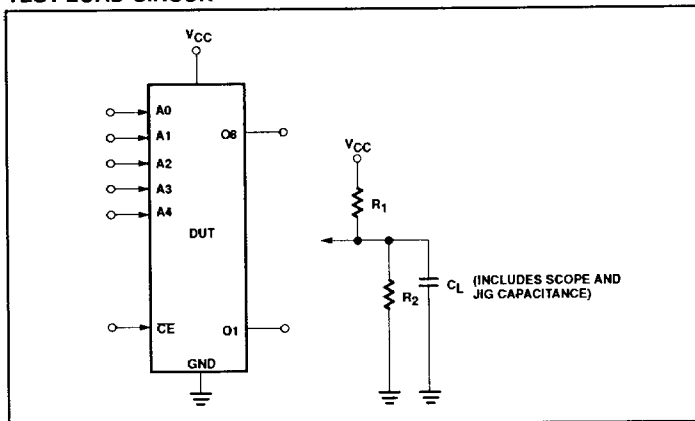
$R_1 = 270\Omega$, $R_2 = 600\Omega$, $C_L = 30\text{pF}$, $0^\circ\text{C} \leq T_{\text{amb}} \leq +75^\circ\text{C}$, $4.75\text{V} \leq V_{\text{CC}} \leq 5.25\text{V}$

SYMBOL	PARAMETER	TO	FROM	LIMITS			UNIT
				MIN	TYP ¹	MAX	
Access time²							
t_{AA}		Output	Address		45	50	ns
t_{CE}		Output	Chip Enable			35	ns
Disable time³							
t_{CD}		Output	Chip Disable			35	ns

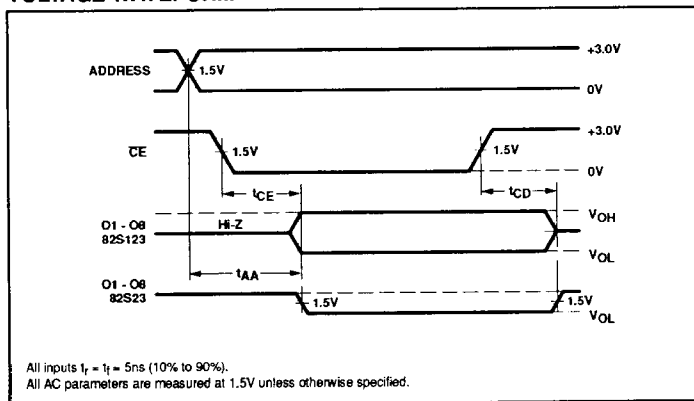
NOTES:

1. Typical values are $V_{\text{CC}} = 5\text{V}$, $T_{\text{amb}} = +25^\circ\text{C}$.
2. Tested at an address cycle time of $1\mu\text{s}$.
3. Measured at a delta of 0.5V from Logic Level with $R_1 = 750\Omega$, $R_2 = 750\Omega$ and $C_L = 5\text{pF}$.

TEST LOAD CIRCUIT



VOLTAGE WAVEFORM



This datasheet has been download from:

www.datasheetcatalog.com

Datasheets for electronics components.