

# SN54LS624 THRU SN54LS629, SN74LS624 THRU SN74LS629 VOLTAGE-CONTROLLED OSCILLATORS

SDLS186 – JANUARY 1980 – REVISED MARCH 1988

- **Separate Supply Voltage Pins for Isolation of Frequency Control Inputs and Oscillators from Output Circuitry**
- **Highly Stable Operation over Specified Temperature and/or Supply Voltage Ranges**

DEVICE TYPE	SIMILAR TO	NUMBER VCO's	COMP'L Z OUT	ENABLE	RANGE INPUT	R <sub>ext</sub>
'LS624	'LS324	single	yes	yes	yes	no
'LS625	'LS325	dual	yes	no	no	no
'LS626	'LS326	dual	yes	yes	no	no
'LS627	'LS327	dual	no	no	no	no
'LS628	'LS324	single	yes	yes	yes	yes
'LS629	'LS124	dual	no	yes	yes	no

## description

These voltage-controlled oscillators (VCOs) are improved versions of the original VCO family: SN54LS124, SN54LS324 thru SN54LS327, SN74LS124, and SN74LS324 thru SN74LS327. These new devices feature improved voltage-to-frequency linearity, range, and compensation. With the exception of the 'LS624 and 'LS628, all of these devices feature two independent VCOs in a single monolithic chip. The 'LS624, 'LS625, 'LS626, and 'LS628 have complementary Z outputs. The output frequency for each VCO is established by a single external component (either a capacitor or crystal) in combination with voltage-sensitive inputs used for frequency control and frequency range. Each device has a voltage-sensitive input for frequency control; however, the 'LS624, 'LS628, and 'LS629 devices also have one for frequency range. (See Figures 1 thru 6).

The 'LS628 offers more precise temperature compensation than its 'LS624 counterpart. The 'LS624 features a 600 ohm internal timing resistor. The 'LS628 requires a timing resistor to be connected externally across R<sub>ext</sub> pins. Temperature compensation will be improved due to the temperature coefficient of the external resistor.

Figure 3 and Figure 6 contain the necessary information to choose the proper capacitor value to obtain the desired operating frequency.

A single 5-volt supply can be used: however, one set of supply voltage and ground pins (V<sub>CC</sub> and GND) is provided for the enable, synchronization-gating, and output sections, and a separate set (OSC V<sub>CC</sub> and OSC GND) is provided for the oscillator and associated frequency-control circuits so that effective isolation can be accomplished in the system. For operation of frequencies greater than 10 MHz, it is recommended that two independent supplies be used. Disabling either VCO of the 'LS625 and 'LS625 and 'LS627 can be achieved by removing the appropriate OSC V<sub>CC</sub>. An enable input is provided on the 'LS624, 'LS626, 'LS628, and 'LS629. When the enable input is low, the output is enabled: when the enable input is high, the internal oscillator is disabled, Y is high, and Z is low. Caution! Crosstalk may occur in the dual devices ('LS625, 'LS626, 'LS627 and 'LS629) when both VCOs are operated simultaneously. To minimize crosstalk, either of the following are recommended: (A) If frequencies are widely separated, use a 10- $\mu$ h inductor between V<sub>CC</sub> pins. (B) If frequencies are closely spaced, use two separate V<sub>CC</sub> supplies or place two series diodes between the V<sub>CC</sub> pins.

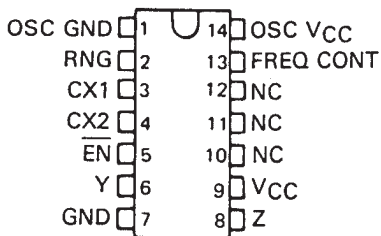
The pulse-synchronization-gating section ensures that the first output pulse is neither clipped nor extended. The duty cycle of the square-wave output is fixed at approximately 50 percent.

The SN54LS624 thru SN54LS629 are characterized for operation over the full military temperature range of -55°C to 125°C. The SN74LS624 thru SN74LS629 are characterized for operation from 0°C to 70°C.

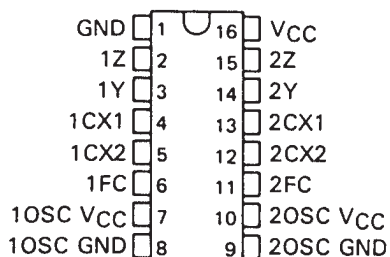
# SN54LS624 THRU SN54LS629, SN74LS624 THRU SN74LS629 VOLTAGE-CONTROLLED OSCILLATORS

SDLS186 – JANUARY 1980 – REVISED MARCH 1988

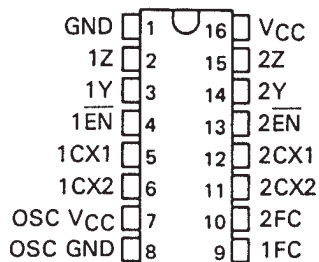
**SN54LS624 . . . J OR W PACKAGE  
SN74LS624 . . . D OR N PACKAGE  
(TOP VIEW)**



**SN54LS625 . . . J OR W PACKAGE  
SN74LS625 . . . D OR N PACKAGE  
(TOP VIEW)**

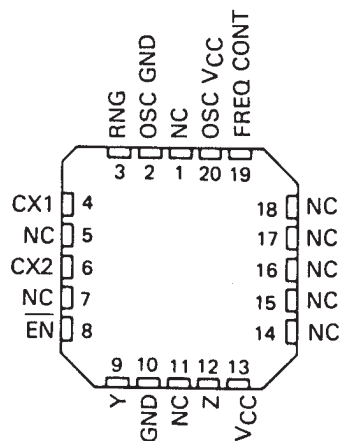


**SN54LS626 . . . J OR W PACKAGE  
SN74LS626 . . . D OR N PACKAGE  
(TOP VIEW)**

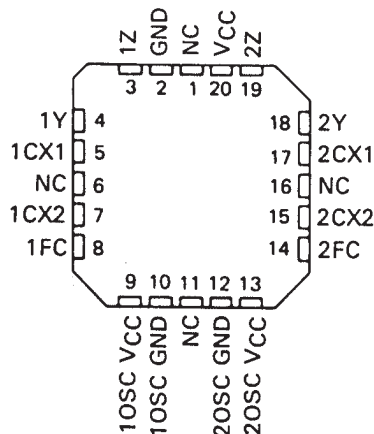


NC – No internal connection

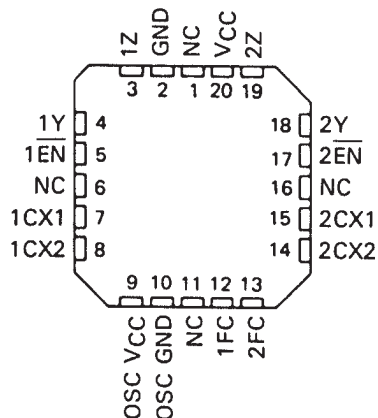
**SN54LS624 . . . FK PACKAGE  
(TOP VIEW)**



**SN54LS625 . . . FK PACKAGE  
(TOP VIEW)**



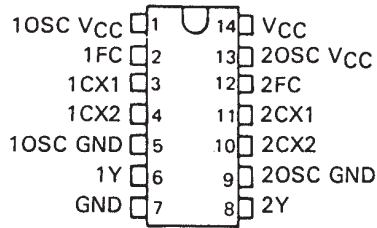
**SN54LS626 . . . FK PACKAGE  
(TOP VIEW)**



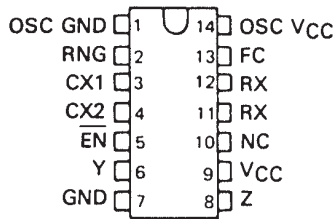
# SN54LS624 THRU SN54LS629, SN74LS624 THRU SN74LS629 VOLTAGE-CONTROLLED OSCILLATORS

SDLS186 - JANUARY 1980 - REVISED MARCH 1988

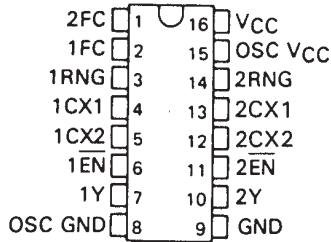
SN54LS627 . . . J OR W PACKAGE  
SN74LS627 . . . D OR N PACKAGE  
(TOP VIEW)



SN54LS628 . . . J OR W PACKAGE  
SN74LS628 . . . D OR N PACKAGE  
(TOP VIEW)

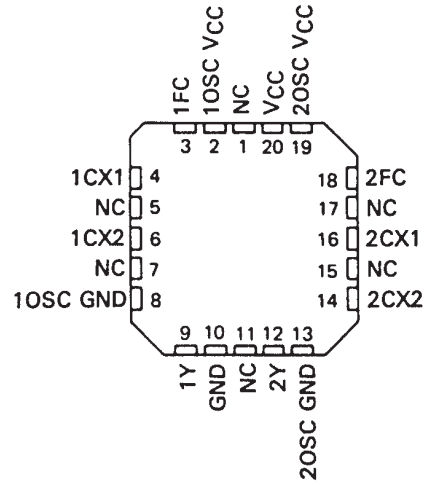


SN54LS629 . . . J OR W PACKAGE  
SN74LS629 . . . D OR N PACKAGE  
(TOP VIEW)

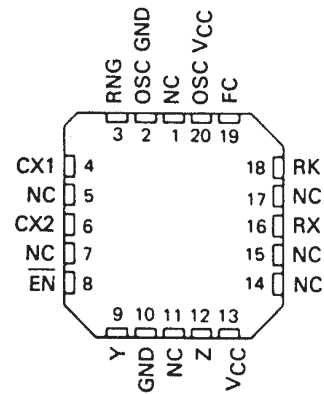


NC-No internal connection

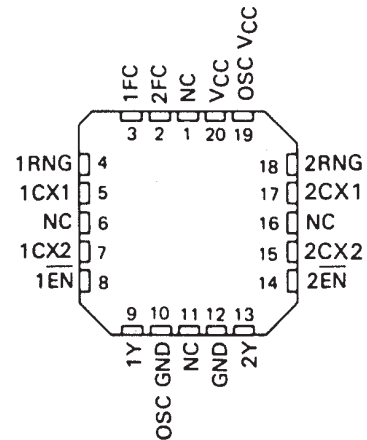
SN54LS627 . . . FK PACKAGE  
(TOP VIEW)



SN54LS628 . . . FK PACKAGE  
(TOP VIEW)



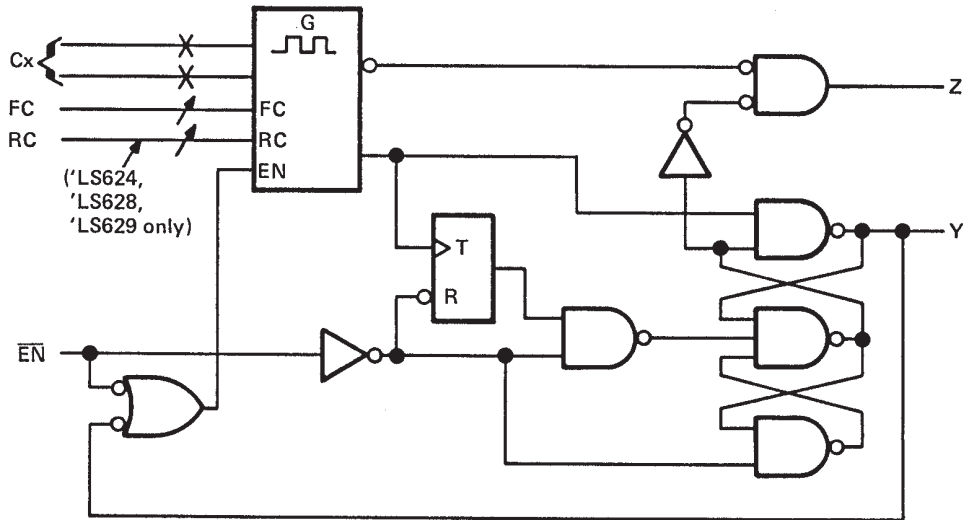
SN54LS629 . . . FK PACKAGE  
(TOP VIEW)



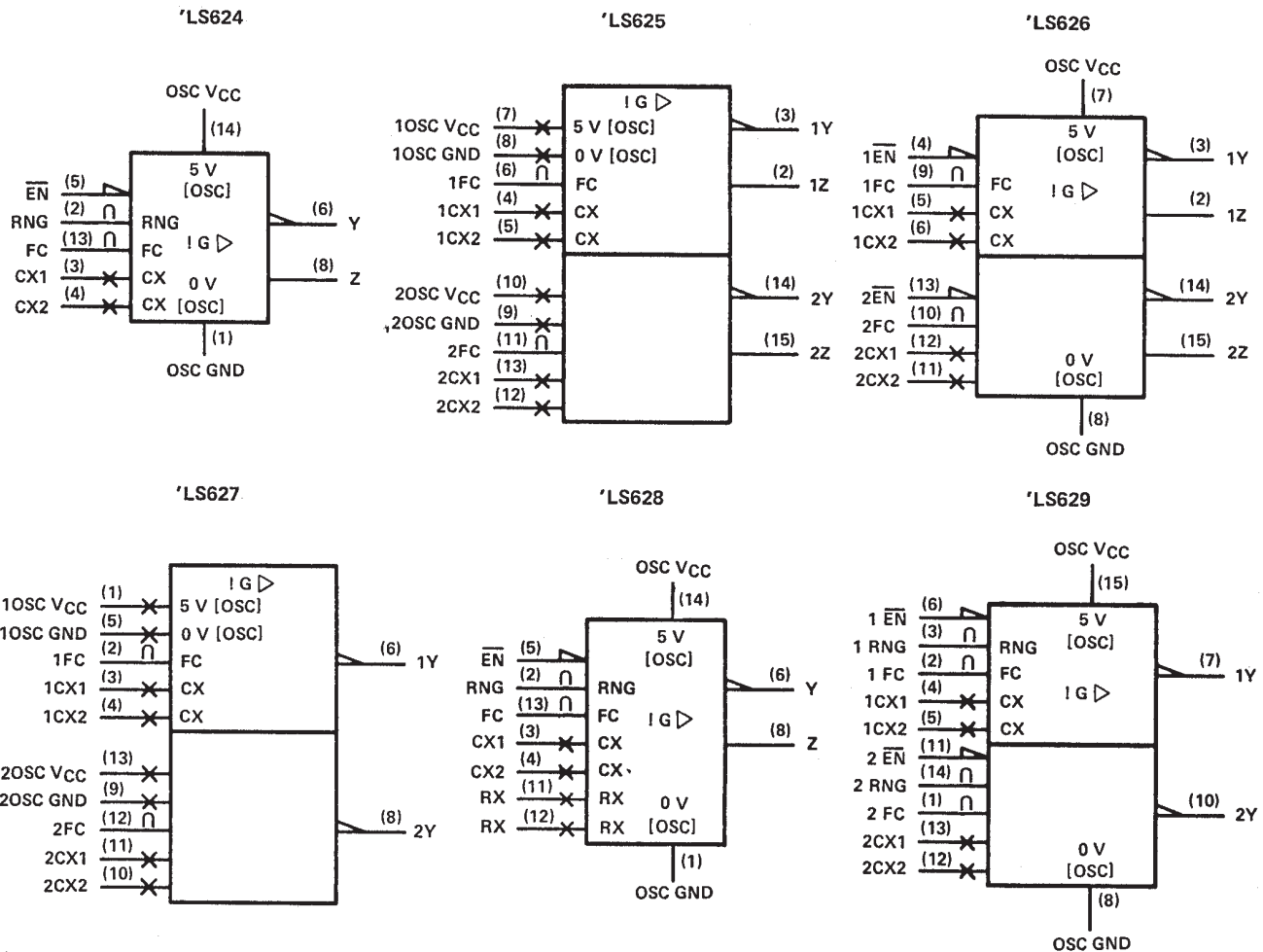
# SN54LS624 THRU SN54LS629, SN74LS624 THRU SN74LS629 VOLTAGE-CONTROLLED OSCILLATORS

SDLS186 – JANUARY 1980 – REVISED MARCH 1988

## logic diagram (positive logic)



## logic symbols†

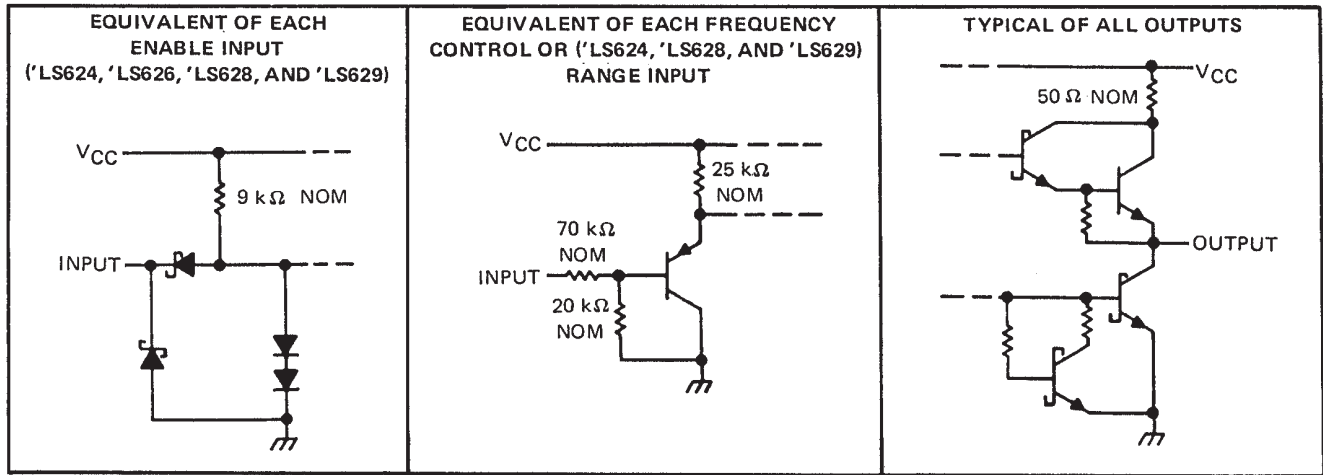


†These symbols are in accordance with ANSI/IEEE Std. 91-1984 and IEC Publication 617-12. Pin numbers shown are for D, J, N, and W packages.

# SN54LS624 THRU SN54LS629, SN74LS624 THRU SN74LS629 VOLTAGE-CONTROLLED OSCILLATORS

SDLS186 - JANUARY 1980 - REVISED MARCH 1988

## schematics of inputs and outputs



### absolute maximum ratings over operating free-air temperature range (unless otherwise noted)

Supply voltage, $V_{CC}$ (see Notes 1 and 2)	7 V
Input voltage: Enable input <sup>†</sup>	7 V
Frequency control or range input <sup>‡</sup>	$V_{CC}$
Operating free-air temperature range: SN54LS' Circuits	-55°C to 125°C
SN74LS' Circuits	0°C to 70°C
Storage temperature range	-65°C to 150°C

<sup>†</sup> The enable input is provided only on the 'LS624, 'LS626, 'LS628, and 'LS629.

<sup>‡</sup> The range input is provided only on 'LS624, 'LS628, and 'LS629.

- NOTE: 1. Voltage values are with respect to the appropriate ground terminal.  
 2. Throughout the data sheet, the symbol  $V_{CC}$  is used for the voltage applied to both the  $V_{CC}$  and OSC  $V_{CC}$  terminals, unless otherwise noted.

# SN54LS624 THRU SN54LS629, SN74LS624 THRU SN74LS629 VOLTAGE-CONTROLLED OSCILLATORS

SDLS186 – JANUARY 1980 – REVISED MARCH 1988

## recommended operating conditions

	SN54LS'			SN74LS'			UNIT
	MIN	NOM	MAX	MIN	NOM	MAX	
Supply voltage, $V_{CC}$	4.5	5	5.5	4.75	5	5.25	V
Input voltage at frequency control or range input, $V_{I(freq)}$ or $V_{I(rng)}$	0		5	0		5	V
High-level output current, $I_{OH}$			-1.2			-1.2	mA
Low-level output current, $I_{OL}$			12			24	mA
Output frequency, $f_o$	1			1			Hz
			20			20	MHz
Operating free-air temperature, $T_A$	-55		125	0		70	°C

## electrical characteristics over recommended operating free-air temperature range (unless otherwise noted)

PARAMETER		TEST CONDITIONS†	SN54LS'		SN74LS'		UNIT	
			MIN	TYP‡	MAX	MIN		TYP‡
$V_{IH}$	High-level input voltage at enable#		2			2	V	
$V_{IL}$	Low-level input voltage at enable#			0.7		0.8	V	
$V_{IK}$	Input clamp voltage at enable#	$V_{CC} = \text{MIN}, I_I = -18 \text{ mA}$		-1.5		-1.5	V	
$V_{OH}$	High-level output voltage	$V_{CC} = \text{MIN}, \overline{EN}$ at $V_{IL}$ max, $I_{OH} = -1.2 \text{ mA}$ , See Note 3	2.5	3.4		2.7	3.4	V
$V_{OL}$	Low-level output voltage	$V_{CC} = \text{MIN}, \overline{EN}$ at $V_{IL}$ max, See Note 3	$I_{OL} = 12 \text{ mA}$		$I_{OL} = 24 \text{ mA}$		V	
			0.25	0.4	0.25	0.4		
$I_I$	Input current	Freq control or range¶	$V_{CC} = \text{MAX}$	$V_I = 5 \text{ V}$		$V_I = 5 \text{ V}$		$\mu\text{A}$
				50	250	50	250	
$I_I$	Input current at maximum input voltage	Enable#	$V_{CC} = \text{MAX}, V_I = 7 \text{ V}$			0.2		mA
						0.2		
$I_{IH}$	High-level input current	Enable#	$V_{CC} = \text{MAX}, V_I = 2.7 \text{ V}$	40		40		$\mu\text{A}$
$I_{IL}$	Low-level input current	Enable#	$V_{CC} = \text{MAX}, V_I = 0.4 \text{ V}$	-0.8		-0.8		mA
$I_{OS}$	Short-circuit output current§	$V_{CC} = \text{MAX}$	-40	-225	-40	-225	mA	
$I_{CC}$	Supply current, total into $V_{CC}$ and OSC $V_{CC}$ pins	$V_{CC} = \text{MAX}, \text{Enable}^\# = 4.5 \text{ V}$ See Note 4	'LS624		'LS624		mA	
			20	35	20	35		
			'LS625		'LS625			
			35	55	35	55		
			'LS626		'LS626			
			35	55	35	55		
'LS627		'LS627						
35	55	35	55					
'LS628		'LS628						
20	35	20	35					
'LS629		'LS629						
35	55	35	55					

†For conditions shown as MIN or MAX, use the appropriate value specified under recommended operating conditions.

‡All typical values are at  $V_{CC} = 5 \text{ V}, T_A = 25^\circ\text{C}$ .

§Not more than one output should be shorted at a time and duration of the short-circuit should not exceed one second.

¶The range input is provided only on the 'LS624, 'LS628, and 'LS629.

#The enable input is provided only on the 'LS624, 'LS626, 'LS628, and 'LS629.

NOTES: 3.  $V_{OH}$  for Y outputs and  $V_{OL}$  for Z outputs are measured while enable inputs are at  $V_{IL}$  MAX, with individual 1-k $\Omega$  resistors connected from CX1 to  $V_{CC}$  and from CX2 to ground. The resistor connections are reversed for testing  $V_{OH}$  for Z outputs and  $V_{OL}$  for Y inputs.

4. For 'LS624, 'LS626, 'LS628, and 'LS629,  $I_{CC}$  is measured with the outputs disabled and open. For 'LS625 and 'LS627,  $I_{CC}$  is measured with one OSC  $V_{CC} = \text{MAX}$ , and with the other OSC  $V_{CC}$  and outputs open.



SN54LS624 THRU SN54LS629,  
SN74LS624 THRU SN74LS629  
VOLTAGE-CONTROLLED OSCILLATORS

SDLS186 – JANUARY 1980 – REVISED MARCH 1988

switching characteristics,  $V_{CC} = 5\text{ V}$  (unless otherwise noted),  $R_L = 667\ \Omega$ ,  $C_L = 45\text{ pF}$ ,  $T_A = 25^\circ\text{C}$

PARAMETER	TEST CONDITIONS		'LS624, 'LS628, 'LS629			'LS625, 'LS626, 'LS627			UNIT
			MIN	TYP	MAX	MIN	TYP	MAX	
$f_O$ Output frequency	$C_{ext} = 50\text{ pF}$	$V_{I(freq)} = 5\text{ V}, V_{I(rng)} = 0\text{ V}$	15	20	25				MHz
		$V_{I(freq)} = 1\text{ V}, V_{I(rng)} = 5\text{ V}$	1.1	1.6	2.1				
		$V_{I(freq)} = 5\text{ V}$				7	9.5	12	
		$V_{I(freq)} = 0\text{ V}$				0.9	1.2	1.5	

TYPICAL CHARACTERISTICS

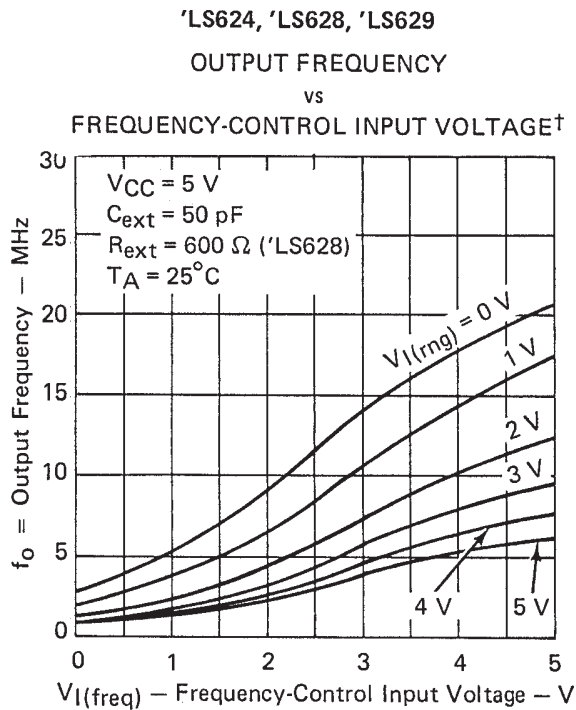


FIGURE 1

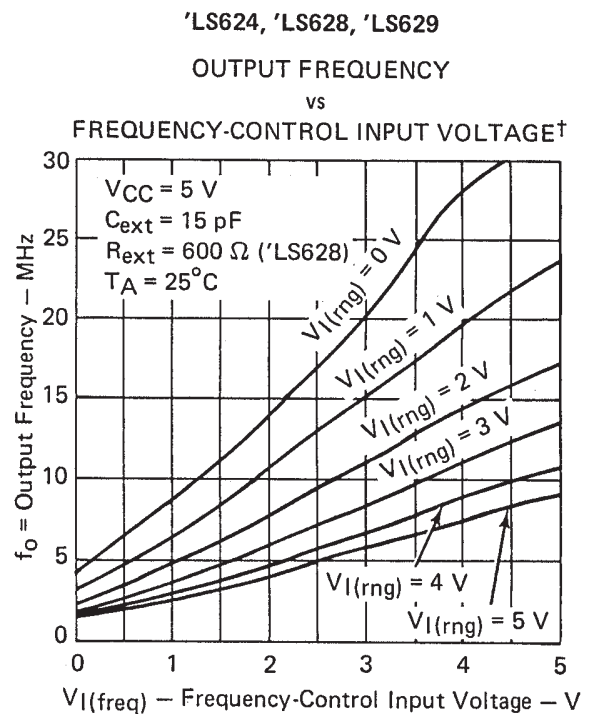


FIGURE 2

† Due to the effects of stray capacitance the output frequency may be unstable when the frequency control voltage is less than 1 volt.

**SN54LS624 THRU SN54LS629,  
SN74LS624 THRU SN74LS629  
VOLTAGE-CONTROLLED OSCILLATORS**

SDLS186 – JANUARY 1980 – REVISED MARCH 1988

**TYPICAL CHARACTERISTICS**

'LS624, 'LS628, 'LS629

OUTPUT FREQUENCY

vs

EXTERNAL CAPACITANCE

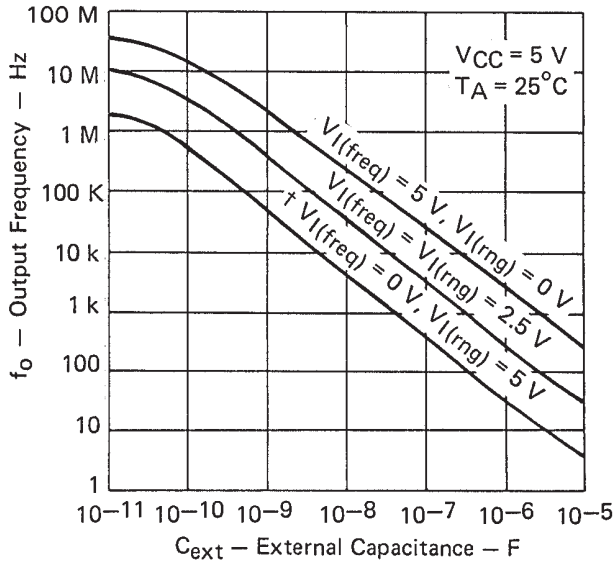


FIGURE 3

'LS625, 'LS626, 'LS627

OUTPUT FREQUENCY

vs

FREQUENCY-CONTROL INPUT VOLTAGE †

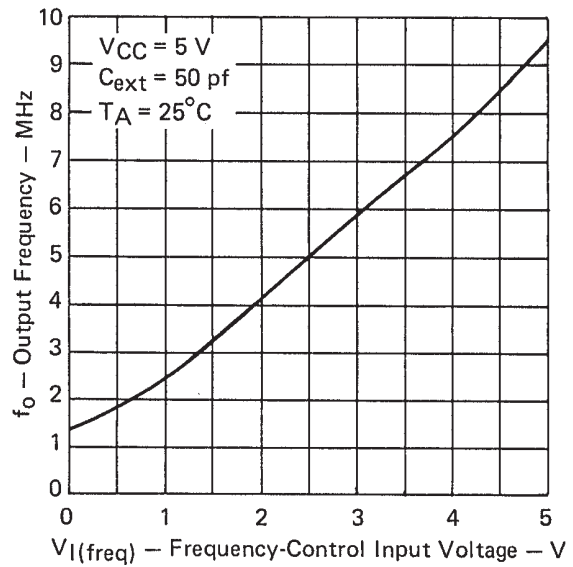


FIGURE 4

'LS625, 'LS626, 'LS627

OUTPUT FREQUENCY

vs

FREQUENCY-CONTROL INPUT VOLTAGE

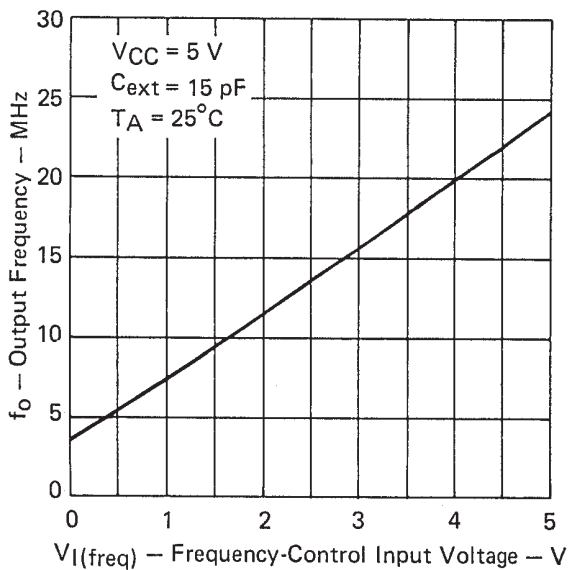


FIGURE 5

'LS625, 'LS626, 'LS627

OUTPUT FREQUENCY

vs

EXTERNAL CAPACITANCE

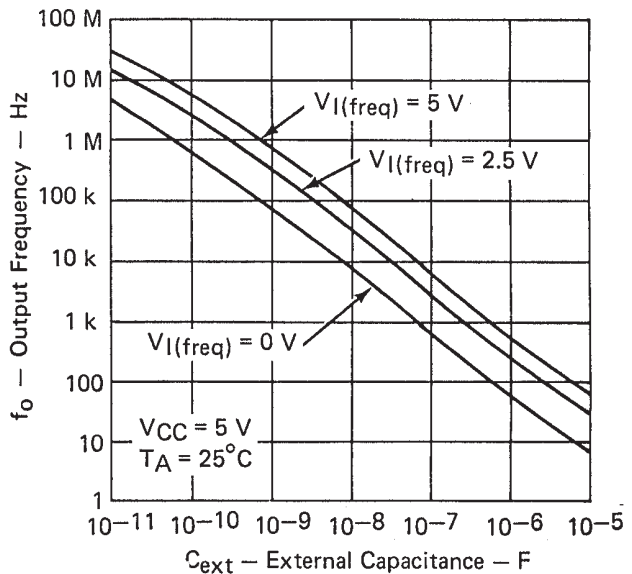


FIGURE 6

† Due to the effects of stray capacitance the output frequency may be unstable when the frequency control voltage is less than 1 volt.



TYPICAL CHARACTERISTICS

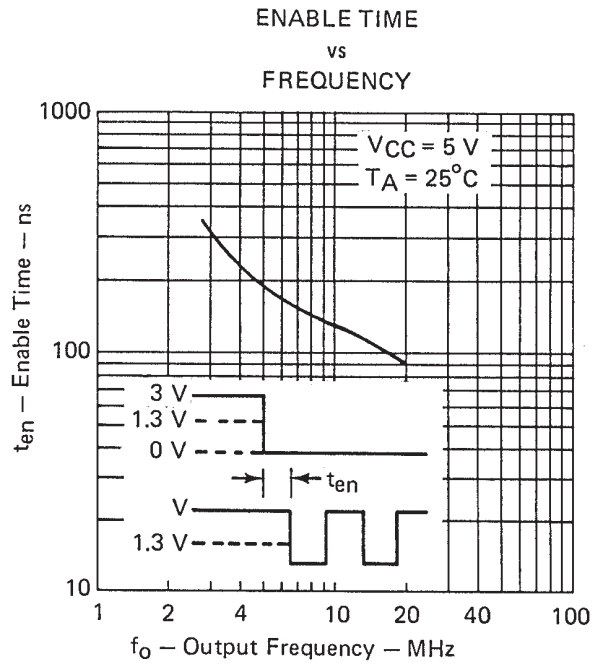
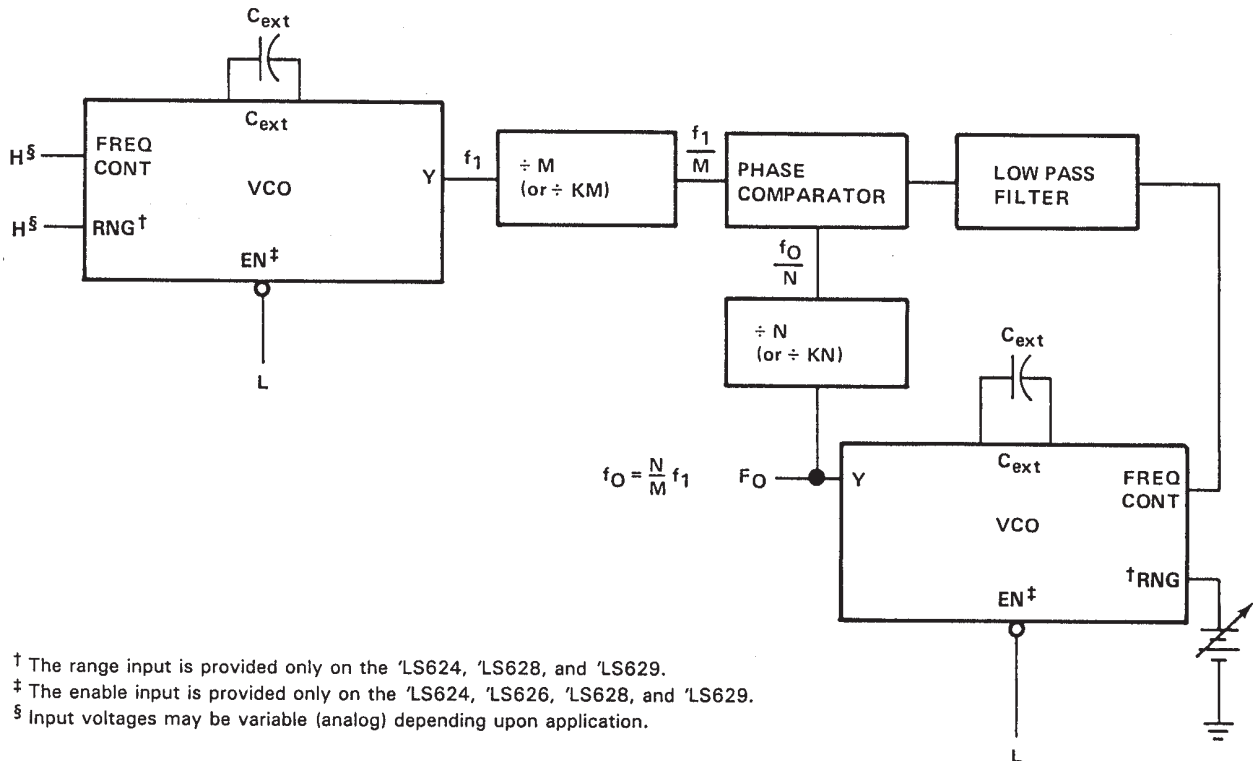


FIGURE 7

TYPICAL APPLICATIONS DATA



† The range input is provided only on the 'LS624, 'LS628, and 'LS629.  
‡ The enable input is provided only on the 'LS624, 'LS626, 'LS628, and 'LS629.  
§ Input voltages may be variable (analog) depending upon application.

FIGURE A—PHASE-LOCKED LOOP.

## IMPORTANT NOTICE

Texas Instruments and its subsidiaries (TI) reserve the right to make changes to their products or to discontinue any product or service without notice, and advise customers to obtain the latest version of relevant information to verify, before placing orders, that information being relied on is current and complete. All products are sold subject to the terms and conditions of sale supplied at the time of order acknowledgement, including those pertaining to warranty, patent infringement, and limitation of liability.

TI warrants performance of its semiconductor products to the specifications applicable at the time of sale in accordance with TI's standard warranty. Testing and other quality control techniques are utilized to the extent TI deems necessary to support this warranty. Specific testing of all parameters of each device is not necessarily performed, except those mandated by government requirements.

CERTAIN APPLICATIONS USING SEMICONDUCTOR PRODUCTS MAY INVOLVE POTENTIAL RISKS OF DEATH, PERSONAL INJURY, OR SEVERE PROPERTY OR ENVIRONMENTAL DAMAGE ("CRITICAL APPLICATIONS"). TI SEMICONDUCTOR PRODUCTS ARE NOT DESIGNED, AUTHORIZED, OR WARRANTED TO BE SUITABLE FOR USE IN LIFE-SUPPORT DEVICES OR SYSTEMS OR OTHER CRITICAL APPLICATIONS. INCLUSION OF TI PRODUCTS IN SUCH APPLICATIONS IS UNDERSTOOD TO BE FULLY AT THE CUSTOMER'S RISK.

In order to minimize risks associated with the customer's applications, adequate design and operating safeguards must be provided by the customer to minimize inherent or procedural hazards.

TI assumes no liability for applications assistance or customer product design. TI does not warrant or represent that any license, either express or implied, is granted under any patent right, copyright, mask work right, or other intellectual property right of TI covering or relating to any combination, machine, or process in which such semiconductor products or services might be or are used. TI's publication of information regarding any third party's products or services does not constitute TI's approval, warranty or endorsement thereof.

This datasheet has been download from:

[www.datasheetcatalog.com](http://www.datasheetcatalog.com)

Datasheets for electronics components.